

ROCK SHOX

POWERED BY SRAM



(english) spare parts catalog

SRAM® ORIGINAL PARTS

CAUTION:

The SRAM Warranty policy does not cover damages caused by the use of non-SRAM parts.

Use only SRAM parts with SRAM components.

Installation of parts and accessories not originally intended could result in less than optimal performance and/or injury.

For in-depth service information on SRAM products, refer to our website at www.sram.com. Contact your local SRAM distributor or dealer for ordering information.

Information contained in this publication is subject to change at any time without prior notice. Your product's appearance may vary from the diagrams contained in this catalog.

TABLE OF CONTENTS

Reverb™	6-8
XC28	9-10
XC30	11-13
30 Gold	14-15
XC32	16-18
Recon™ Silver	19-21
Recon™ Gold	22-24
Sektor™ Silver	25-26
Sektor™ Gold	27-29
Reba®	30-35
SID®	36-41
Revelation™	42-45
Pike™	46-48
Domain™	49-50
Domain™ Dual Crown	51-52
Lyrik™	53-54
Totem™	55-56
Argyle™	57-58
BoXXer®	59-60
Bar®	61
Mounting Hardware 12mm x 12mm	62
Ario™	63
Monarch™	64-79
Monarch Plus	80-87
Kage™	88-89
Vivid™	90-102
Mounting Hardware 1/2" x 1/2"	103
Rear Maxle™	104
PushLoc™	105
Bulk Spares / Service Kits	106
Upgrade Kits / Tools / Lubricants	107

Notes:

Rider's Right / Drive Side = R
 Rider's Left / Non-Drive Side = L



ns = not shown

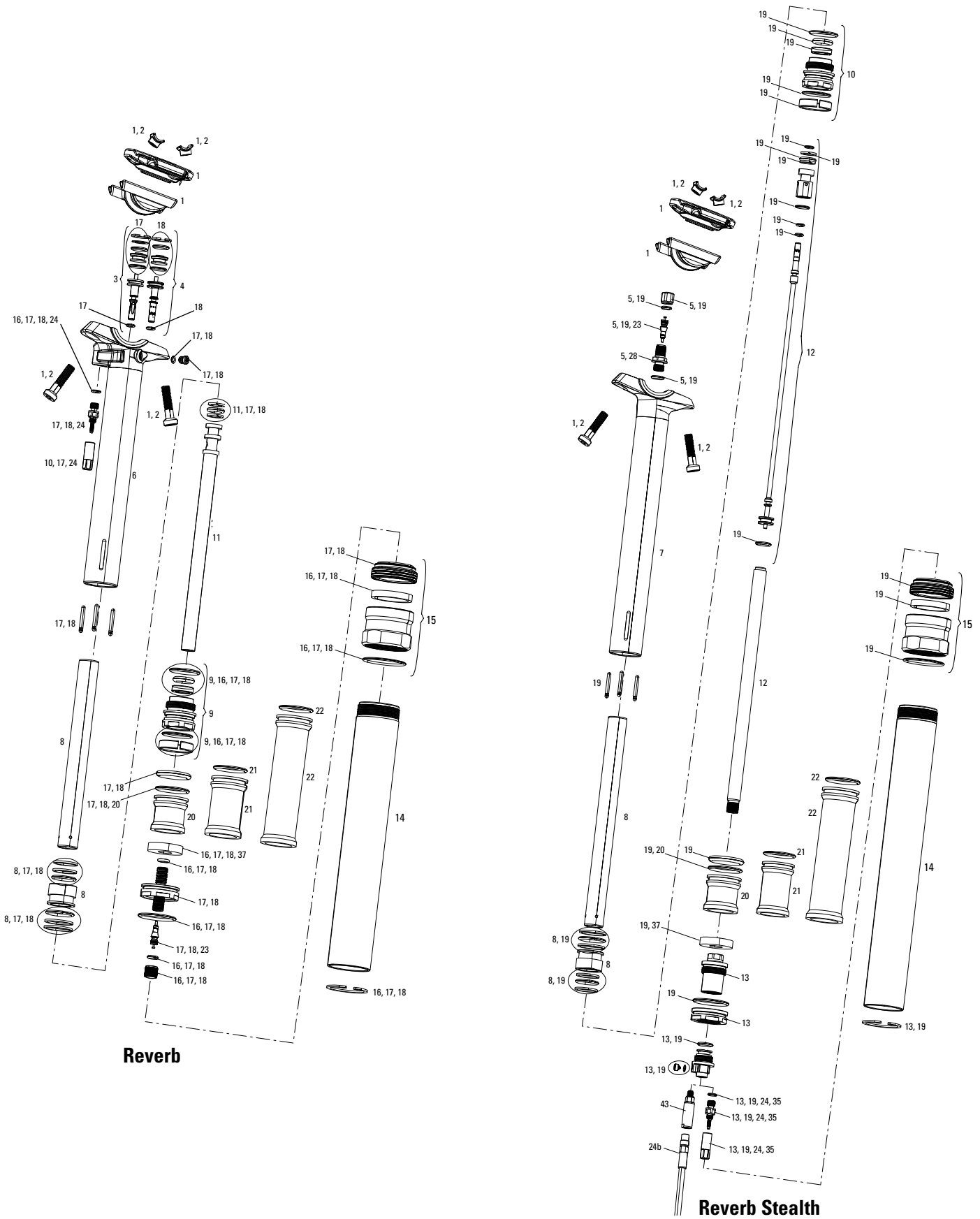
Year denotes model year

All aftermarket Recon, Sektor, Reba, SID, Revelation, Lyrik, Domain, Domain Dual Crown, Totem, BoXXer and Argyle suspension forks include a Basic Service Kit which is to be used by a retailer to perform fork first service (labor charge determined by retailer). Also included in aftermarket package: shock pump (air forks), tuning springs (Domain, Domain Dual Crown, Lyrik, Totem, BoXXer), star nut, cable tie, user manual, and bleed kit (Totem, XLoc forks only).

All aftermarket Monarch and Vivid Air products include a Basic Service Kit which is to be used by a retailer to perform rear shock first service (labor charge determined by retailer). Also included in aftermarket package: shock pump (air shocks), bottom-out bumper (Vivid), and user manual. Vivid/Kage coil spring is sold separately; not included with aftermarket packaged products. Mounting hardware is also sold separately; not included with any aftermarket rear shock. See your retailer for spring weight and mounting hardware size/fit information.

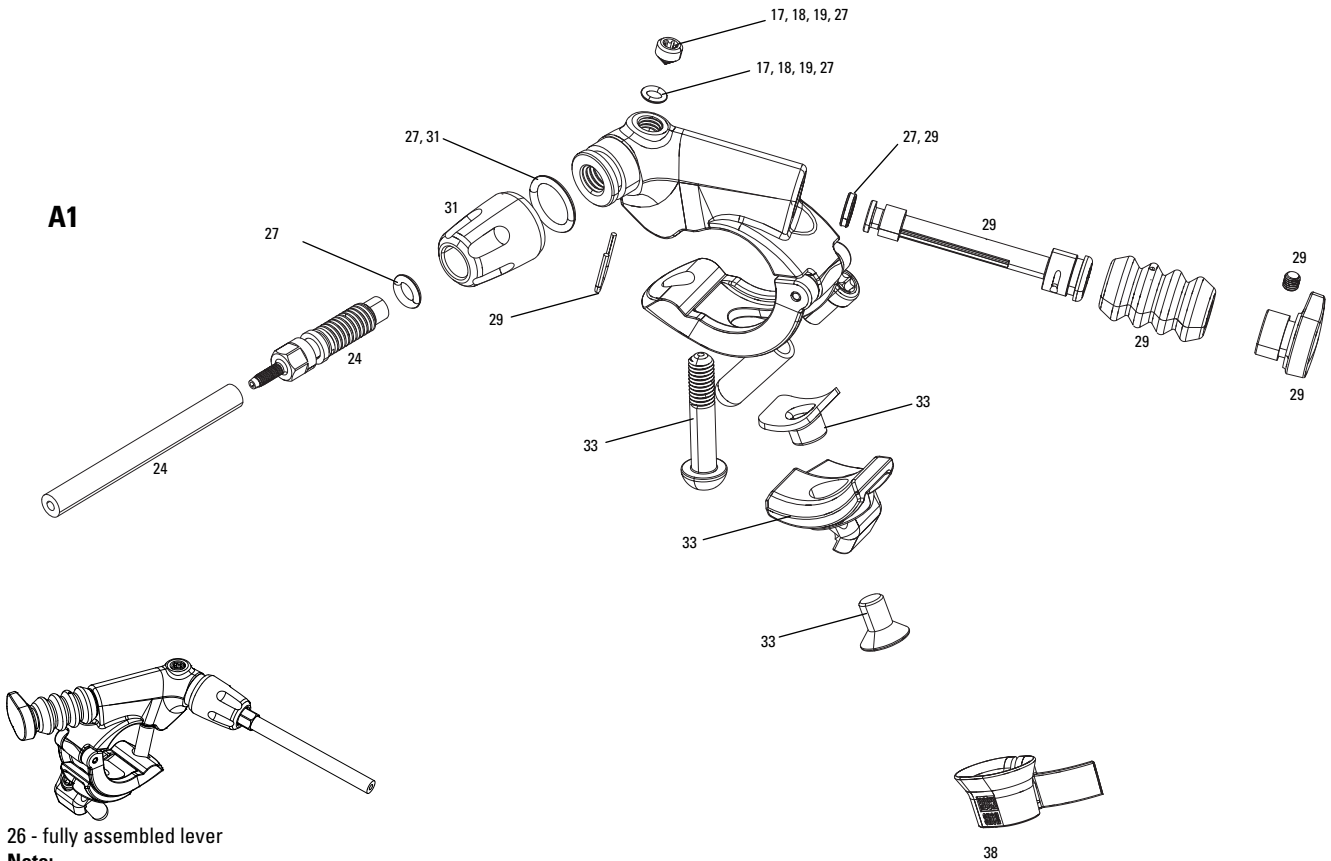
All aftermarket Reverb and Reverb Stealth adjustable height seat posts include a bottle of Reverb hydraulic fluid and a RockShox bleed kit.

REVERB / REVERB STEALTH



REVERB / REVERB STEALTH

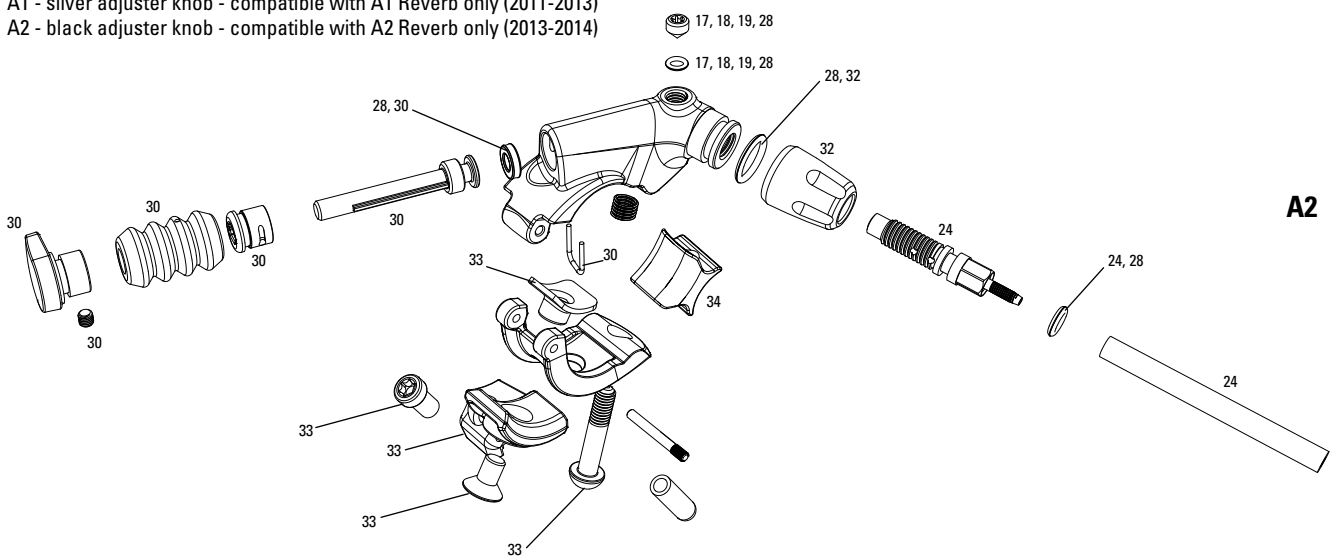
A1



26 - fully assembled lever

Note:

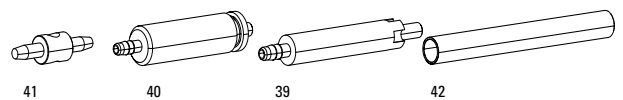
- A1 - silver adjuster knob - compatible with A1 Reverb only (2011-2013)
- A2 - black adjuster knob - compatible with A2 Reverb only (2013-2014)



A2

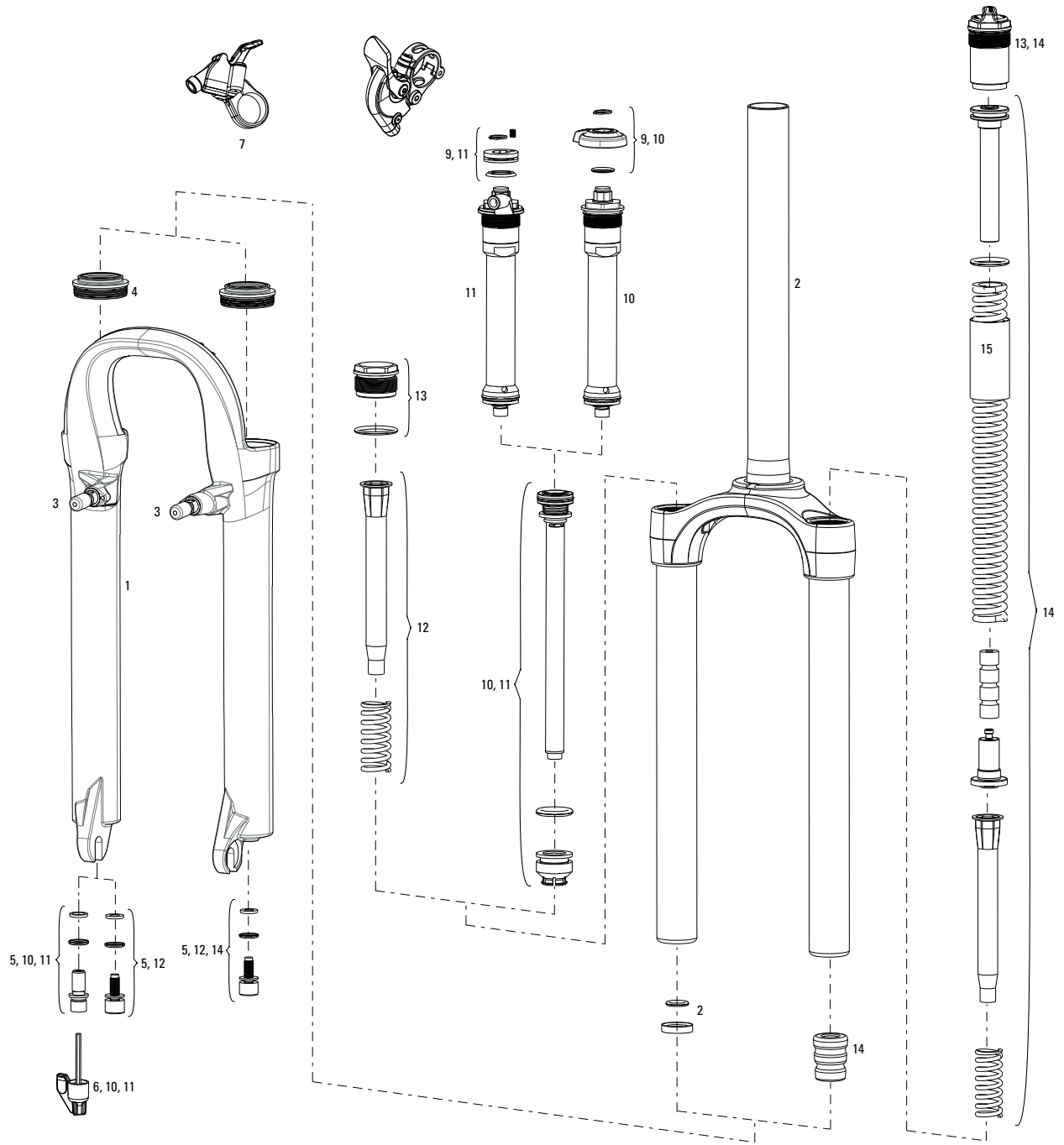
Note:

- 1. A1 - Remote silver adjuster knob - compatible with A1 Reverb only (2011-2013)
- 2. A2 - Remote black adjuster knob - compatible with A2 Reverb only (2013-2014)
- 3. A1-specific parts not compatible with A2



REVERB

No.	Part Number	Description
1	11.6815.006.010	Post Clamp Kit - Reverb (includes upper/lower clamp plates/clamp nuts/clamp bolts)
2	11.6815.007.010	Clamp Nut and Bolt Kit - Reverb
3	11.6818.013.000	Reverb Poppet Kit A1
4	11.6818.013.010	Reverb Poppet Kit A2
5	11.6818.014.000	Reverb Stealth Air Valve Assembly
6	11.6818.015.000	Reverb Upper Assy 100mm A1
6	11.6818.015.010	Reverb Upper Assy 125mm A1
6	11.6818.015.020	Reverb Upper Assy 100mm A2
6	11.6818.015.030	Reverb Upper Assy 125mm A2
7	11.6818.015.040	Reverb Stealth Upper Assy 100mm A1
7	11.6818.015.050	Reverb Stealth Upper Assy 125mm A1
7	11.6818.015.060	Reverb Stealth Upper Assy 150mm A1
8	11.6818.016.000	Reverb/Reverb Stealth IFP Tube 100mm
8	11.6818.016.010	Reverb/Reverb Stealth IFP Tube 125mm
8	11.6818.016.020	Reverb/Reverb Stealth IFP Tube 150mm
9	11.6818.017.000	Reverb Inner SealHead
10	11.6818.017.010	Reverb Stealth Inner SealHead
11	11.6818.018.000	Reverb Main Piston/Shaft 355x100mm/380x125mm
11	11.6818.018.010	Reverb Main Piston/Shaft 420x100mm
11	11.6818.018.020	Reverb Main Piston/Shaft 420x125mm
12	11.6818.019.000	Reverb Stealth A1 Main Piston/Poppet Kit 355x100mm/380x125mm
12	11.6818.019.010	Reverb Stealth A1 Main Piston/Poppet Kit 420x100mm
12	11.6818.019.020	Reverb Stealth A1 Main Piston/Poppet Kit 420x125mm
12	11.6818.019.030	Reverb Stealth A2 Main Piston/Poppet Kit 355x100mm/380x125mm
12	11.6818.019.040	Reverb Stealth A2 Main Piston/Poppet Kit 420x100mm
12	11.6818.019.050	Reverb Stealth A2 Main Piston/Poppet Kit 420x125mm
12	11.6818.019.060	Reverb Stealth Main Piston/Poppet Kit 430x150mm
13	11.6815.030.010	Lower Hose Barb Assembly Kit - Reverb Stealth
14	11.6815.009.010	Lower/Outer Tube 355x100, 380x125/100 30.9 - Reverb (includes lower/outer tube only)
14	11.6815.009.020	Lower/Outer Tube 355x100, 380x125/100 31.6 - Reverb (includes lower/outer tube only)
14	11.6818.020.000	Lower/Outer Tube 355/380 34.9 - Reverb (includes lower/outertube only)
14	11.6815.009.030	Lower/Outer Tube 420x125 30.9 - Reverb (includes lower/outertube only)
14	11.6815.009.040	Lower/Outer Tube 420x125 31.6 - Reverb (includes lower/outertube only)
14	11.6818.020.020	Lower/Outer Tube 420x100 34.9 - Reverb (includes lower/outertube only)
14	11.6815.009.070	Lower/Outer Tube 420x100 30.9 - Reverb (includes lower/outertube only)
14	11.6815.009.080	Lower/Outer Tube 420x100 31.6 - Reverb (includes lower/outertube only)
14	11.6818.020.010	Lower/Outer Tube 420x125 34.9 - Reverb (includes lower/outertube only)
14	11.6818.020.030	Lower/Outer Tube 430x150 30.9 - Reverb (includes lower/outertube only)
14	11.6818.020.040	Lower/Outer Tube 430x150 31.6 - Reverb (includes lower/outertube only)
14	11.6818.020.050	Lower/Outer Tube 430x150 34.9 - Reverb (includes lower/outertube only)
15	11.6815.010.010	Top Cap/Dust Wiper Assembly Kit - Reverb
15	11.6815.010.020	Top Cap Black/Dust Wiper Assembly Kit - Reverb
16	11.6815.031.000	Reverb Basic Service Kit (includes o-rings only)
17	11.6818.003.000	Reverb Complete Service Kit (Requires Post Bleed Tool, Oil Height Tool & IFP Height Tool)
18	11.6818.021.000	Reverb A2 Complete Service Kit 2013 (requires post bleed tool, oil height tool and IFP height tool)
19	11.6818.022.000	Reverb Stealth A2 Complete Service Kit 2013 (requires post bleed tool, oil height tool and IFP height tool)
20	11.6818.023.000	Reverb Volume Spacers 355x100mm
21	11.6818.023.010	Reverb Volume Spacers 420x100mm
22	11.6818.023.020	Reverb Volume Spacers 420x125mm
23	11.4308.327.002	Schrader Valve Core Qty 2
24a	11.6815.025.010	Hydraulic Hose (2000mm) Kit - Reverb (includes new hose, newstrain relief, new barb)
24a	11.6815.025.020	Hydraulic Hose White (2000mm) Kit - Reverb (includes new hose, new strain relief, new barb)
24b	11.6815.025.030	Hydraulic Hose (2000mm) Kit - Reverb Connectamajig (use only with Connectamajig Post) A2
25	11.6815.028.010	Strain Relief (Hydraulic Hose)- Reverb New
26	11.6815.026.010	Remote Lever Assembly/new hose Kit (Left/MMX) - Reverb (includes left remote lever, MMX clamp, new hose 1500mm, new hosebarb, new strain relief)
26	11.6815.026.020	Remote Lever Assembly/new hose Kit (Right/MMX) - Reverb (includes right remote lever, MMX clamp, new hose 1500mm, new hose barb, new strain relief)
26	11.6815.026.030	Remote Lever Assembly/new hose Kit (Left) - Reverb (includesleft remote lever, new hose 1500mm, new hose barb, new strain relief)
26	11.6815.026.040	Remote Lever Assembly/new hose Kit (Right) - Reverb (includes right remote lever, new hose 1500mm, new hose barb, new strain relief)
26	11.6815.026.050	Remote Lever Assembly A2/hose Kit (Left/MMX) - Reverb (includes left remote lever, MMX clamp, discrete puck, new hose 2000mm, new hose barb, new strain relief)
26	11.6815.026.060	Remote Lever Assembly A2/hose Kit (Right/MMX) - Reverb (includes right remote lever, MMX clamp, discrete puck, new hose 2000mm, new hose barb, new strain relief)
27	11.6815.015.010	Remote Lever Service Kit - Reverb
28	11.6818.024.001	Remote Lever Service Kit - Reverb New A2
29	11.6815.016.010	Button Kit, Left, Remote - Reverb
29	11.6815.016.020	Button Kit, Right, Remote - Reverb
30	11.6818.025.020	Button Kit Reverb Remote, Left New A2
30	11.6818.025.030	Button Kit Reverb Remote, Right New A2
31	11.6815.027.010	Return Speed Adjuster Knob Kit, Remote - Reverb New
32	11.6818.026.000	Return Speed Adjuster Knob Kit, Remote A2 - 2013 Reverb
33	11.4315.016.010	Clamp/Bracket Hardware, XLoc Left, Ti Hardware
33	11.4315.016.020	Clamp/Bracket Hardware, XLoc Right, Ti Hardware
33	11.5315.049.010	MMX/Shifter Mounting Bracket, Left - Elixir CR Mag/X0/XX, Stainless Hardware
33	11.5315.049.020	MMX/Shifter Mounting Bracket, Right - Elixir CR Mag/X0/XX, Stainless Hardware
34	11.6818.001.000	Discrete Puck Hydraulic Remote (Spacer) For XLoc Remotes Qty 2
35	11.6815.022.010	Hose Barb Reverb Post, Qty 1
35	11.6815.022.020	Hose Barb Reverb Post, Qty 10
36	11.6815.022.030	Hose Barb Reverb Remote, Qty 1
36	11.6815.022.040	Hose Barb Reverb Remote, Qty 10
37	11.6818.000.000	Foam Reverb Filter, Reverb Qty 10
38	00.4315.020.010	Cable/Hose Line Guide, Black - RockShox Qty 2
39	00.6815.066.010	Oil Height Tool - Reverb
40	00.6815.066.020	Post Bleed Tool - Reverb
41	00.6815.066.030	Barb Connector - Reverb Stealth
42	00.6815.066.040	IFP Height Tool - Reverb
43	11.4318.005.000	Connectamajig Collar Suspension Black - Reverb/XLoc Full sprint
ns	11.4315.021.070	RockShox Reverb Hydraulic Fluid, 120ml Bottle new
ns	00.6815.064.010	Reverb Hydraulic Bleed Kit (includes 2 syringes, Reverb fittings, Reverb Hydraulic Fluid, 120ml Bottle new)
ns	00.4315.023.010	High-Pressure Fork/Shock Pump (300 psi Max) RockShox
ns	00.4315.022.010	Schrader Valve Removal Tool Rockshox
ns	00.5315.027.000	Cable Housing/Hydraulic Line Rotating Hooks, SRAM Qty 4

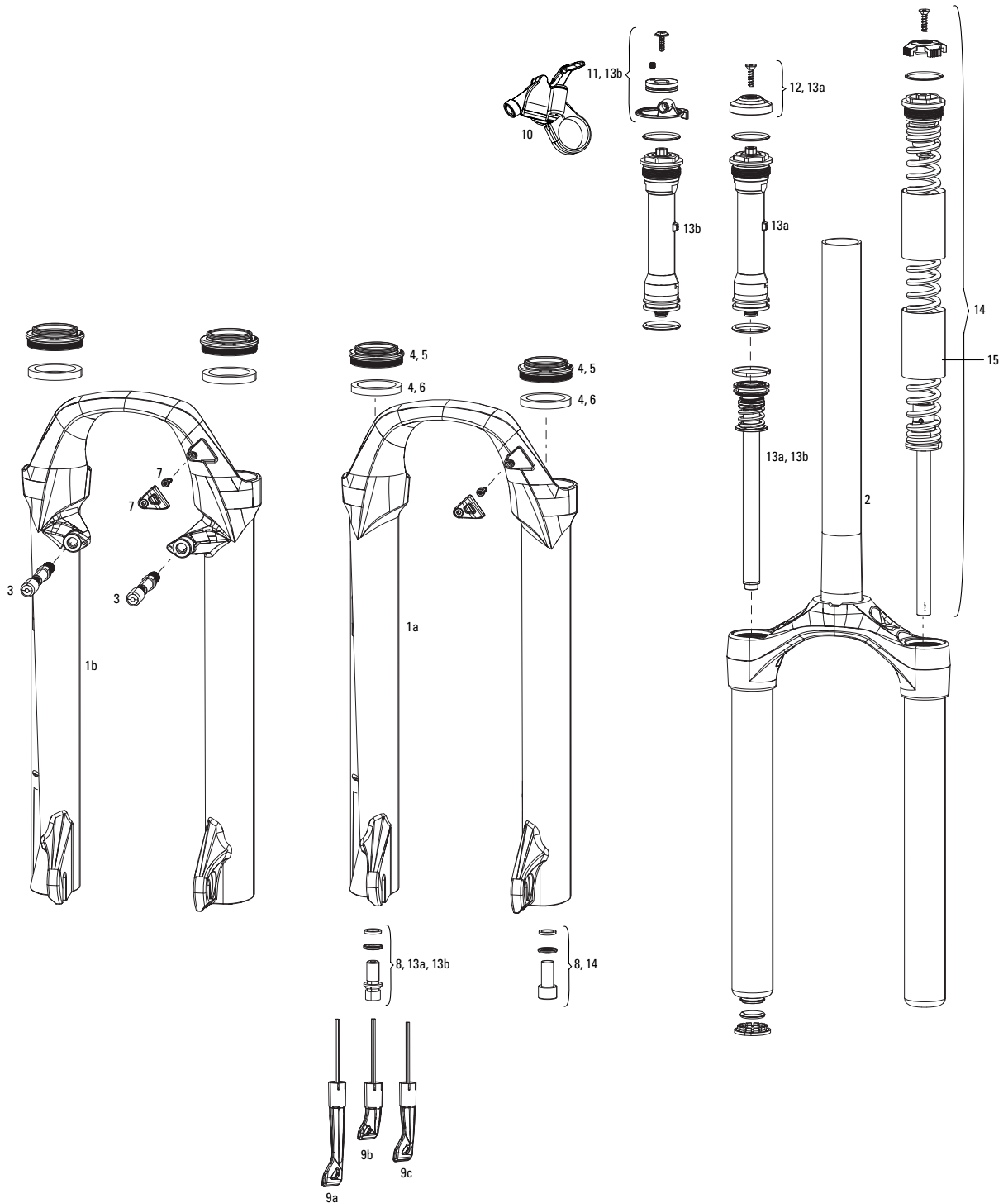


Note:

1. Full service kits include replaceable o-rings, glide rings, retaining rings, crush washers, crush washer retainers, lower leg bottom-out bumpers and shaft bolts/nuts. Not all service parts are pictured.
2. Rebound damper and spring shaft kits include crush washers, crush washer retainers and shaft bolts, as well as upper tube retaining rings and rebound adjuster knob.
3. Damper side = rider's right. Spring side = rider's left.
4. All lower legs include bottom-out bumpers, bushings, foam rings and dust seals installed.
5. Lower leg bushings are not replaceable. Lower leg assembly must be replaced. Decals are not included with Lower Leg Assembly kits; decals offered separately.
6. Convert from Crown Adjust to Remote Adjust: Remote compression damper requires remote compression adjuster spool, cable clamp and remote lever assembly.
7. Refer to the RockShox Technical Manual (www.sram.com) for oil volumes and torque values.



No.	Part Number	Description
1	11.4018.006.059	Lower Leg XC28 Mag 26Q Rim/Disc Black
1	11.4018.006.060	Lower Leg XC28 Mag 26Q Rim/Disc White
ns	11.4018.006.061	Lower Leg XC28 Mag 26Q Disc Black
ns	11.4018.006.062	Lower Leg XC28 Mag 26Q Disc Diffusion Black
ns	11.4018.006.063	Lower Leg XC28 Mag 26Q Disc White
1	11.4018.006.064	Lower Leg XC28 Mag 26Q Rim/Disc 120 Black
1	11.4018.006.065	Lower Leg XC28 Mag 26Q Rim/Disc 120 Diffusion Black
1	11.4018.006.066	Lower Leg XC28 Mag 26Q Rim/Disc 120 White
ns	11.4018.006.067	Lower Leg XC28 Mag 26Q Disc 120 Black
ns	11.4018.006.068	Lower Leg XC28 Mag 26Q Disc 120 Diffusion Black
ns	11.4018.006.069	Lower Leg XC28 Mag 26Q Disc 120 White
ns	11.4018.006.070	Lower Leg XC28 Mag 29Q Disc 120 Black
ns	11.4018.006.071	Lower Leg XC28 Mag 29Q Disc 120 Diffusion Black
ns	11.4018.006.072	Lower Leg XC28 Mag 29Q Disc 120 White
2	11.4018.008.000	CSU XC28 26 Aluminum 11/8 White 80/100
2	11.4018.008.001	CSU XC28 26 Aluminum 11/8 Diffusion Black 80/100
2	11.4018.008.002	CSU XC28 26 Aluminum 11/8 Black 80/100
2	11.4018.008.003	CSU XC28 26 Aluminum 11/8 White 120
2	11.4018.008.004	CSU XC28 26 Aluminum 11/8 Diffusion Black 120
2	11.4018.008.005	CSU XC28 26 Aluminum 11/8 Black 120
2	11.4018.008.006	CSU XC28 29 46 Off-Set Aluminum 11/8 White 80/100
2	11.4018.008.007	CSU XC28 29 46 Off-Set Aluminum 11/8 Diffusion Black 80/100
2	11.4018.008.008	CSU XC28 29 46 Off-Set Aluminum 11/8 Black 80/100
2	11.4018.008.009	CSU XC28 29 51 Off-Set Aluminum 11/8 White 80/100
2	11.4018.008.010	CSU XC28 29 51 Off-Set Aluminum 11/8 Diffusion Black 80/100
2	11.4018.008.011	CSU XC28 29 51 Off-Set Aluminum 11/8 Black 80/100
3	11.4015.038.000	Dart Brake Post Qty 2
4	11.4307.250.000	Pilot/SID Dust Seal Kit
5	11.4310.465.000	Fork Shaft Bolt Kit
6	11.4015.390.000	HC2 Rebound Adjust Knob Flag NEW (both short and long)
7	11.4308.848.000	PopLoc Lever Left (17mm cable pull, not compatible with 2013+ Motion Control)
7	11.4309.207.000	PopLoc Lever Right (17mm cable pull, not compatible with 2013+ Motion Control)
ns	11.4308.849.000	PopLoc Adjust Lever Left (17mm cable pull, not compatible with 2013+ Motion Control)
ns	11.4309.208.000	PopLoc Adjust Lever Right (17mm cable pull, not compatible with 2013+ Motion Control)
8	11.4018.011.000	Remote Spool/Cable Clamp Kit XC28 (17mm Pull Damper, PopLoc/pre-2013 PushLoc only) 2013-2014
9	11.4018.009.000	Damper Internals Right Turnkey XC28 29 80-100 Crown
10	11.4018.009.001	Damper Internals Right Turnkey XC28 29 80-100 Remote17mm (use with PopLoc)
11	11.4018.009.002	Damper Internals Right Turnkey XC28 26 80-120 Crown
10	11.4018.009.003	Damper Internals Right Turnkey XC28 26 80-120 Remote17mm (use with PopLoc)
11	11.4015.032.000	Dart 1 Shaft Kit (80mm/100mm)
12	11.4015.242.000	Preload Adjuster Knob Aluminum
ns	11.4015.234.000	Dart/Judy Top Cap Kit (Aluminum Pre-Load & Non Adjust) 28mm
13	11.4018.010.000	Spring Internals Left XC28 26 80 X-Soft Green
14	11.4018.010.001	Spring Internals Left XC28 26 80 Soft Black
14	11.4018.010.002	Spring Internals Left XC28 26 80 Medium Yellow
14	11.4018.010.003	Spring Internals Left XC28 26 80 Firm Red
14	11.4018.010.004	Spring Internals Left XC28 26 80 X-Firm Blue
14	11.4018.010.005	Spring Internals Left XC28 26 100 X-Soft Green
14	11.4018.010.006	Spring Internals Left XC28 26 100 Soft Black
14	11.4018.010.007	Spring Internals Left XC28 26 100 Medium Yellow
14	11.4018.010.008	Spring Internals Left XC28 26 100 Firm Red
14	11.4018.010.009	Spring Internals Left XC28 26 100 X-Firm Blue
14	11.4018.010.011	Spring Internals Left XC28 26" 120mm Medium Red
14	11.4018.010.012	Spring Internals Left XC28 26" 120mm Firm Blue
14	11.4018.010.013	Spring Internals Left XC28 29 80 X-Soft Green
14	11.4018.010.014	Spring Internals Left XC28 29 80 Soft Black
14	11.4018.010.015	Spring Internals Left XC28 29 80 Medium Yellow
14	11.4018.010.016	Spring Internals Left XC28 29 80 Firm Red
14	11.4018.010.017	Spring Internals Left XC28 29 100 X-Soft Green
14	11.4018.010.018	Spring Internals Left XC28 29 100 Soft Black
14	11.4018.010.019	Spring Internals Left XC28 29 100 Medium Yellow
14	11.4018.010.020	Spring Internals Left XC28 29 100 Firm Red
15	11.4309.336.000	Coil Spring Isolator Kit Qty 3
ns	11.4015.210.000	Dart Service Kit
ns	11.4318.003.000	Decal Kit XC28 Turnkey 26 Disc Coil Silver/White
ns	11.4318.003.001	Decal Kit XC28 Turnkey 26 Disc Coil Silver/Black
ns	11.4318.003.002	Decal Kit XC28 Turnkey 26 Disc Coil Silver/Diffusion Black
ns	11.4318.003.003	Decal Kit XC28 Turnkey 26 Rim Coil Silver/White
ns	11.4318.003.004	Decal Kit XC28 Turnkey 26 Rim Coil Silver/Black
ns	11.4318.003.005	Decal Kit XC28 Turnkey 26 Rim Coil Silver/Diffusion Black
ns	11.4318.003.006	Decal Kit XC28 Turnkey 29 Disc Coil Silver/White
ns	11.4318.003.007	Decal Kit XC28 Turnkey 29 Disc Coil Silver/Black
ns	11.4318.003.008	Decal Kit XC28 Turnkey 29 Disc Coil Silver/Diffusion Black
ns	11.4309.073.000	Kit Disk Brake Cable Accessory



Note:

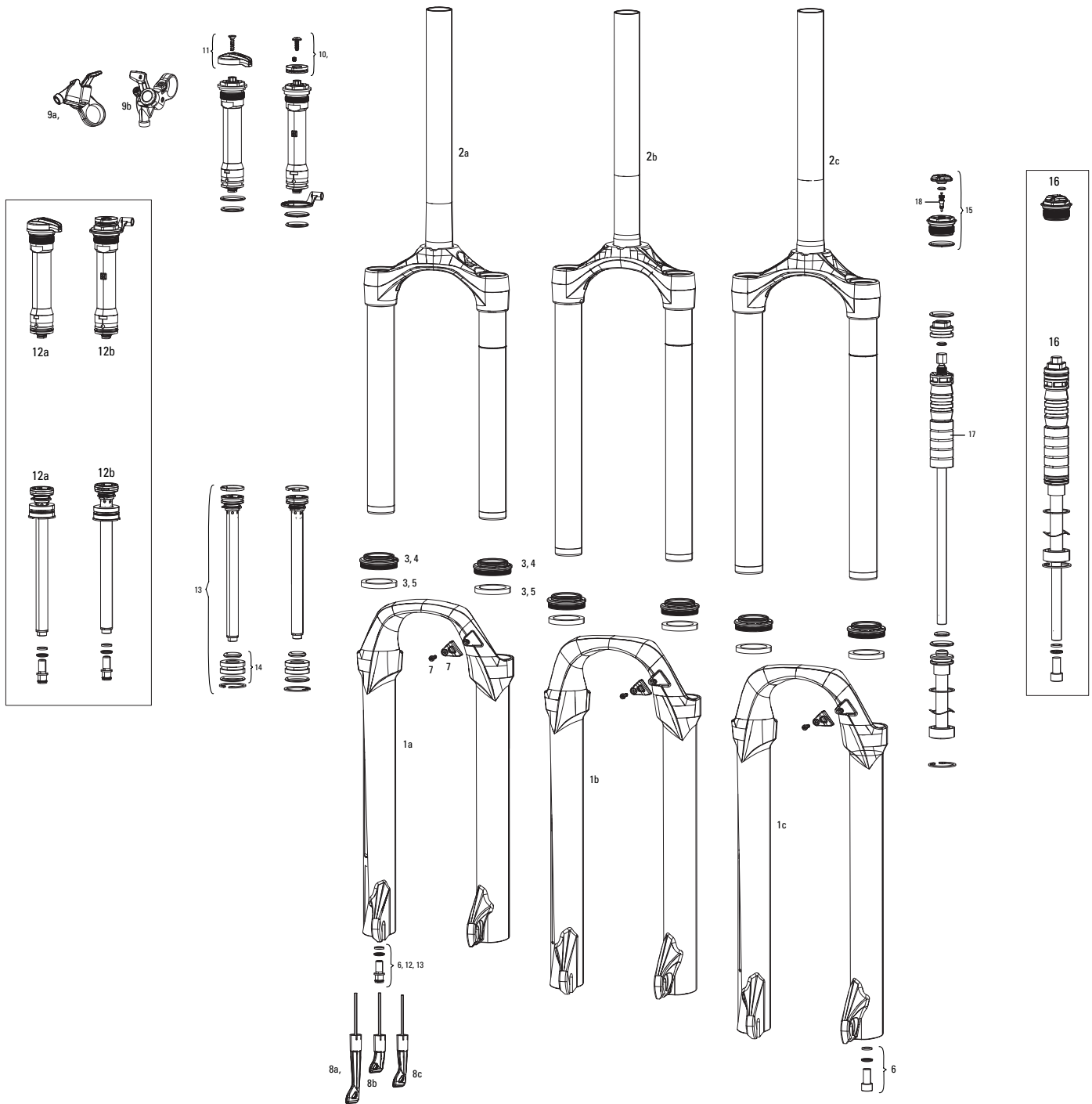
1. Full service kits include replaceable o-rings, glide rings, retaining rings, crush washers, crush washer retainers, lower leg bottom-out bumpers and shaft bolts/nuts. Not all service parts are pictured. All basic service kits include the following replaceable wear items: o-rings, glide rings, dust seals, and foam rings.
2. Rebound damper and spring shaft kits include crush washers, crush washer retainers and shaft bolts, as well as upper tube retaining rings and rebound adjuster knob.
3. Damper side = rider's right. Spring side = rider's left.
4. All lower legs include bottom-out bumpers, bushings, foam rings and dust seals installed.
5. Lower leg bushings are not replaceable. Lower leg assembly must be replaced. Decals are not included with Lower Leg Assembly kits; decals offered separately.
6. Convert from Crown Adjust to Remote Adjust: Remote compression damper requires remote compression adjuster spool, cable clamp and remote lever assembly.
7. Refer to the RockShox Technical Manual (www.sram.com) for oil volumes and torque values.



No.	Part Number	Description
1a	11.4015.532.010	Lower Leg, Black, Disc, 26", 9mm QR - XC30/30 Gold (no decals)
1a	11.4018.006.073	Lower Leg XC30/30 Gold 26Q Disc White
1a	11.4018.006.074	Lower Leg XC30/30 Gold 26Q Disc Diffusion Black
1b	11.4015.532.020	Lower Leg, Black, Rim/Disc, 26", 9mm QR - XC30/30 Gold (no decals)
1b	11.4018.006.075	Lower Leg XC30 26Q Rim/Disc White
1b	11.4018.006.076	Lower Leg XC30 26Q Rim/Disc Diffusion Black
1a	11.4018.006.133	Lower Leg XC30/30 Gold 27.5Q Disc Black (decals not included) A1
1a	11.4018.006.134	Lower Leg XC30/30 Gold 27.5Q Disc White (decals not included) A1
1a	11.4018.006.135	Lower Leg XC30/30 Gold 27.5Q Disc Diffusion Black (decals not included) A1
1a	11.4018.006.136	Lower Leg XC30/30 Gold 29Q Disc Black (decals not included) A1
1a	11.4018.006.137	Lower Leg XC30/30 Gold 29Q Disc White (decals not included) A1
1a	11.4018.006.138	Lower Leg XC30/30 Gold 29Q Disc Diffusion Black (decals not included) A1
1a	11.4018.006.080	Lower Leg XC30 29Q Disc Diffusion White
2	11.4015.531.010	CSU Aluminum Steerer 1 1/8" 265mm Black Crown - XC30
2	11.4015.531.020	CSU Aluminum Steerer 1 1/8" 350mm Black Crown - XC30
2	11.4018.008.023	CSU XC30 Satin Nickel 26 Aluminum 11/8 Black
2	11.4018.008.024	CSU XC30 Satin Nickel 26 Aluminum 11/8 White
2	11.4018.008.025	CSU XC30 Satin Nickel 26 Aluminum 11/8 Diffusion Black
2	11.4018.008.026	CSU XC30 Satin Nickel 26 Aluminum Taper Black
2	11.4018.008.027	CSU XC30 Satin Nickel 26 Aluminum Taper White
2	11.4018.008.028	CSU XC30 Satin Nickel 26 Aluminum Taper Diffusion Black
2	11.4018.008.208	CSU XC30 Satin Nickel 27.5 Aluminum 11/8 Black A3
2	11.4018.008.209	CSU XC30 Satin Nickel 27.5 Aluminum 11/8 White A3
2	11.4018.008.210	CSU XC30 Satin Nickel 27.5 Aluminum 11/8 Diffusion Black A3
2	11.4018.008.211	CSU XC30 Satin Nickel 27.5 Aluminum Taper Black A3
2	11.4018.008.212	CSU XC30 Satin Nickel 27.5 Aluminum Taper White A3
2	11.4018.008.213	CSU XC30 Satin Nickel 27.5 Aluminum Taper Diffusion Black A3
2	11.4018.008.012	CSU XC30 Satin Nickel 29 46 Off-Set Aluminum 11/8 Black
2	11.4018.008.013	CSU XC30 Satin Nickel 29 46 Off-Set Aluminum 11/8 White
2	11.4018.008.014	CSU XC30 Satin Nickel 29 46 Off-Set Aluminum 11/8 Diffusion Black
2	11.4018.008.015	CSU XC30 Satin Nickel 29 46 Off-Set Aluminum 11/8 Diffusion White
2	11.4018.008.016	CSU XC30 Satin Nickel 29 46 Off-Set Aluminum Taper Black
2	11.4018.008.017	CSU XC30 Satin Nickel 29 46 Off-Set Aluminum Taper White
2	11.4018.008.018	CSU XC30 Satin Nickel 29 46 Off-Set Aluminum Taper DiffusionBlack
2	11.4018.008.019	CSU XC30 Satin Nickel 29 51 Off-Set Aluminum 11/8 Black
2	11.4018.008.020	CSU XC30 Satin Nickel 29 51 Off-Set Aluminum 11/8 White
2	11.4018.008.021	CSU XC30 Satin Nickel 29 51 Off-Set Aluminum 11/8 Diffusion Black
2	11.4018.008.022	CSU XC30 Satin Nickel 29 51 Off-Set Aluminum 11/8 Diffusion White
3	11.4307.469.000	Brake Post Kit Steel (Qty 2)
4	11.4018.028.006	Dust Seal/Foam Ring Black 30mm Seal, 5mm Foam Ring - XC30/30 Gold A1
5	11.4018.028.007	Dust Seal 30mm Black - XC30/30 Gold Qty 20
6	11.4018.028.008	Foam Ring 30mm x 5mm - XC30/30 Gold A1 Qty 20
7	11.4015.534.010	Hydraulic Hose Clamp, Lower Leg - PIKE/XC30/30Gold
8	11.4310.465.000	Fork Shaft Bolt Kit
9a	11.4018.033.000	Rebound Adjuster 26 Long - XC30/ 30 Gold A1
9b	11.4018.033.001	Rebound Adjuster 27.5 XC30/ 30 Gold A1
9c	11.4018.033.002	Rebound Adjuster 29 - XC30/ 30 Gold A1
10	11.4308.848.000	PopLoc Lever Left (17mm cable pull, not compatible with 2013+ Motion Control)
10	11.4309.207.000	PopLoc Lever Right (17mm cable pull, not compatible with 2013+ Motion Control)
ns	11.4308.849.000	PopLoc Adjust Lever Left (17mm cable pull, not compatible with 2013+ Motion Control)
ns	11.4309.208.000	PopLoc Adjust Lever Right (17mm cable pull, not compatible with 2013+ Motion Control)
11	11.4015.536.010	Remote Spool/Cable Clamp Kit - XC30/30 Gold
12	11.4015.461.050	Compression Knob Kit, TurnKey - Recon/Sektor/30 Gold/XC32/XC30 A1-A3 (2012-2014)
13a	11.4018.009.034	Damper Internals Right Turnkey XC30 TK 2629 100 Crown A1-A3
13a	11.4018.009.032	Damper Internals Right Turnkey XC30 TK 2629 80 Crown A1- A3
13a	11.4018.009.036	Damper Internals Right Turnkey XC30 TK 27.5 80-100 Crown A1-A3
13b	11.4018.009.035	Damper Internals Right Turnkey XC30 TK 2629 100 Remote 17mm Cable Pull (PopLoc/original PushLoc only) A1-A3
13b	11.4018.009.033	Damper Internals Right Turnkey XC30 TK 2629 80 Remote 17mm Cable Pull (PopLoc/original PushLoc only) A1-A3
13b	11.4018.009.037	Damper Internals Right Turnkey XC30 TK 27.5 80-100 Remote 17mm Cable Pull (PopLoc/original PushLoc only) A1-A3



No.	Part Number	Description
14	11.4015.538.010	Spring Internals, Top Cap and Adjuster Knob Kit - XC30 - 100mm X-Soft Silver
14	11.4015.538.020	Spring Internals, Top Cap and Adjuster Knob Kit - XC30 - 100mm Soft Yellow
14	11.4015.538.030	Spring Internals, Top Cap and Adjuster Knob Kit - XC30 - 100mm Medium Red
14	11.4015.538.040	Spring Internals, Top Cap and Adjuster Knob Kit - XC30 - 100mm Firm Blue
14	11.4015.538.050	Spring Internals, Top Cap and Adjuster Knob Kit - XC30 - 100mm X-Firm Black
14	11.4015.538.060	Spring Internals, Top Cap and Adjuster Knob Kit - XC30 - 80mm X-Soft Silver
14	11.4015.538.070	Spring Internals, Top Cap and Adjuster Knob Kit - XC30 - 80mm Soft Yellow
14	11.4015.538.080	Spring Internals, Top Cap and Adjuster Knob Kit - XC30 - 80mm Medium Red
14	11.4015.538.090	Spring Internals, Top Cap and Adjuster Knob Kit - XC30 - 80mm Firm Blue
14	11.4015.538.100	Spring Internals, Top Cap and Adjuster Knob Kit - XC30 - 80mm X-Firm Black
14	11.4018.010.087	Spring Internals Left XC30 27.5 80 X-Soft Silver A3
14	11.4018.010.088	Spring Internals Left XC30 27.5 80 Soft Yellow A3
14	11.4018.010.089	Spring Internals Left XC30 27.5 80 Medium Red A3
14	11.4018.010.090	Spring Internals Left XC30 27.5 80 Firm Blue A3
14	11.4018.010.091	Spring Internals Left XC30 27.5 80 X-Firm Black A3
14	11.4018.010.092	Spring Internals Left XC30 27.5 100 X-Soft Silver A3
14	11.4018.010.093	Spring Internals Left XC30 27.5 100 Soft Yellow A3
14	11.4018.010.094	Spring Internals Left XC30 27.5 100 Medium Red A3
14	11.4018.010.095	Spring Internals Left XC30 27.5 100 Firm Blue A3
14	11.4018.010.096	Spring Internals Left XC30 27.5 100 X-Firm Black A3
14	11.4018.010.097	Spring Internals Left XC30 27.5, 29 100 Solo Air (includes top cap, solo air spring and air tube, shaft bolt) A3
14	11.4018.010.098	Spring Internals Left XC30 27.5, 29 120 Solo Air (includes top cap, solo air spring and air tube, shaft bolt) A3
14	11.4018.010.021	Spring Internals Left XC30 29 80 X-Soft Silver
14	11.4018.010.022	Spring Internals Left XC30 29 80 Soft Yellow
14	11.4018.010.023	Spring Internals Left XC30 29 80 Medium Red
14	11.4018.010.024	Spring Internals Left XC30 29 80 Firm Blue
14	11.4018.010.025	Spring Internals Left XC30 29 80 X-Firm Black
14	11.4018.010.026	Spring Internals Left XC30 29 100 X-Soft Silver
14	11.4018.010.027	Spring Internals Left XC30 29 100 Soft Yellow
14	11.4018.010.028	Spring Internals Left XC30 29 100 Medium Red
14	11.4018.010.029	Spring Internals Left XC30 29 100 Firm Blue
14	11.4018.010.030	Spring Internals Left XC30 29 100 X-Firm Black
15	11.4309.336.000	Coil Spring Isolator Kit Qty 3
ns	11.4015.539.010	Service Kit - XC30
bulk	11.4015.259.000	Crush Washer 8mm, Qty 50
bulk	11.4015.260.000	Crush Washer Retainer, Qty 50
ns	11.4318.003.009	Decal Kit XC30 Turnkey 26 Disc Coil Silver/White
ns	11.4318.003.010	Decal Kit XC30 Turnkey 26 Disc Coil Silver/Black
ns	11.4318.003.011	Decal Kit XC30 Turnkey 26 Disc Coil Silver/Diffusion Black
ns	11.4318.003.012	Decal Kit XC30 Turnkey 26 Rim Coil Silver/White
ns	11.4318.003.013	Decal Kit XC30 Turnkey 26 Rim Coil Silver/Black
ns	11.4318.003.014	Decal Kit XC30 Turnkey 26 Rim Coil Silver/Diffusion Black
ns	11.4318.003.015	Decal Kit XC30 Turnkey 29 Disc Coil Silver/White
ns	11.4318.003.016	Decal Kit XC30 Turnkey 29 Disc Coil Silver/Black
ns	11.4318.003.017	Decal Kit XC30 Turnkey 29 Disc Coil Silver/Diffusion Black

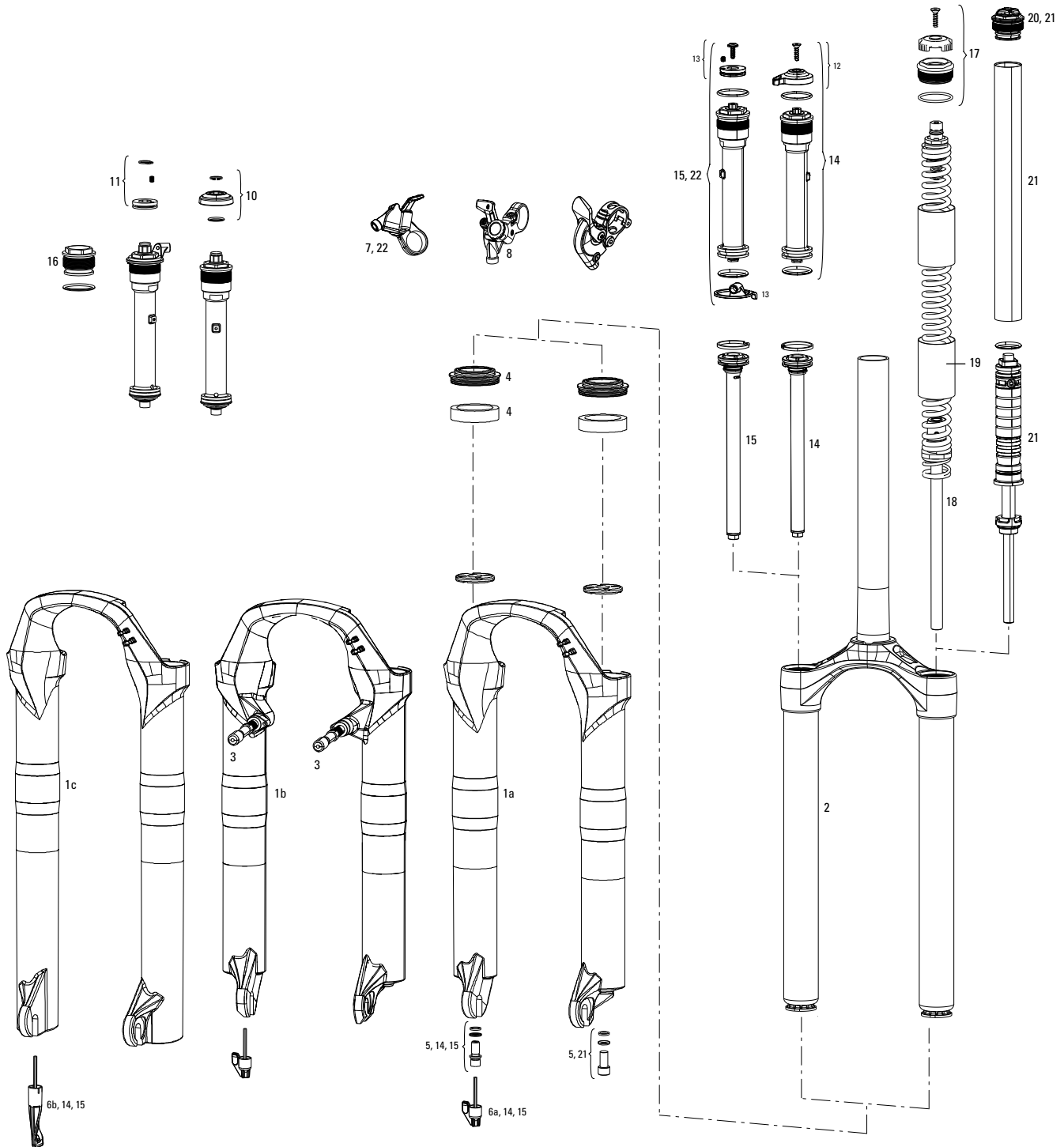


Note:

1. Full service kits include replaceable o-rings, glide rings, retaining rings, crush washers, crush washer retainers, lower leg bottom-out bumpers and shaft bolts/nuts. Not all service parts are pictured. All basic service kits include the following replaceable wear items: o-rings, glide rings, dust seals, and foam rings.
2. Rebound damper and spring shaft kits include crush washers, crush washer retainers and shaft bolts, as well as upper tube retaining rings and rebound adjuster knob.
3. Damper side = rider's right. Spring side = rider's left.
4. All lower legs include bottom-out bumpers, bushings, foam rings and dust seals installed.
5. Lower leg bushings are not replaceable. Lower leg assembly must be replaced. Decals are not included with Lower Leg Assembly kits; decals offered separately.
6. Convert from Crown Adjust to Remote Adjust: Remote compression damper requires remote compression adjuster spool, cable clamp and remote lever assembly.
7. Refer to the RockShox Technical Manual (www.sram.com) for oil volumes and torque values.



No.	Part Number	Description
1a	11.4015.532.010	Lower Leg, Black, Disc, 26", 9mm QR - XC30/30 Gold (no decals)
1a	11.4015.532.020	Lower Leg, Black, Rim/Disc, 26", 9mm QR - XC30/30 Gold (no decals)
1a	11.4018.006.073	Lower Leg XC30/30 Gold 26Q Disc White
1a	11.4018.006.074	Lower Leg XC30/30 Gold 26Q Disc Diffusion Black
1b	11.4018.006.133	Lower Leg XC30/30 Gold 27.5Q Disc Black (decals not included) A1
1b	11.4018.006.134	Lower Leg XC30/30 Gold 27.5Q Disc White (decals not included) A1
1b	11.4018.006.135	Lower Leg XC30/30 Gold 27.5Q Disc Diffusion Black (decals not included) A1
1c	11.4018.006.136	Lower Leg XC30/30 Gold 29Q Disc Black (decals not included) A1
1c	11.4018.006.137	Lower Leg XC30/30 Gold 29Q Disc White (decals not included) A1
1c	11.4018.006.138	Lower Leg XC30/30 Gold 29Q Disc Diffusion Black (decals not included) A1
2a	11.4018.008.214	CSU 30 Gold Solo Air 26 Aluminum 11/8 Black A1
2a	11.4018.008.215	CSU 30 Gold Solo Air 26 Aluminum 11/8 White A1
2a	11.4018.008.216	CSU 30 Gold Solo Air 26 Aluminum 11/8 Diffusion Black A1
2b	11.4018.008.220	CSU 30 Gold Solo Air 27.5 Aluminum 11/8 Black A1
2b	11.4018.008.221	CSU 30 Gold Solo Air 27.5 Aluminum 11/8 White A1
2b	11.4018.008.222	CSU 30 Gold Solo Air 27.5 Aluminum 11/8 Diffusion Black A1
2c	11.4018.008.226	CSU 30 Gold Solo Air 29 46 Off-Set Aluminum 11/8 Black A1
2c	11.4018.008.227	CSU 30 Gold Solo Air 29 46 Off-Set Aluminum 11/8 White A1
2c	11.4018.008.228	CSU 30 Gold Solo Air 29 46 Off-Set Aluminum 11/8 Diffusion Black A1
2c	11.4018.008.229	CSU 30 Gold Solo Air 29 51 Off-Set Aluminum 11/8 Black A1
2c	11.4018.008.230	CSU 30 Gold Solo Air 29 51 Off-Set Aluminum 11/8 White A1
2c	11.4018.008.231	CSU 30 Gold Solo Air 29 51 Off-Set Aluminum 11/8 Diffusion Black A1
2a	11.4018.008.217	CSU 30 Gold Solo Air 26 Aluminum Taper Black A1
2a	11.4018.008.218	CSU 30 Gold Solo Air 26 Aluminum Taper White A1
2a	11.4018.008.219	CSU 30 Gold Solo Air 26 Aluminum Taper Diffusion Black A1
2b	11.4018.008.223	CSU 30 Gold Solo Air 27.5 Aluminum Taper Black A1
2b	11.4018.008.224	CSU 30 Gold Solo Air 27.5 Aluminum Taper White A1
2b	11.4018.008.225	CSU 30 Gold Solo Air 27.5 Aluminum Taper Diffusion Black A1
2c	11.4018.008.232	CSU 30 Gold Solo Air 29 46 Off-Set Aluminum Taper Black A1
2c	11.4018.008.233	CSU 30 Gold Solo Air 29 46 Off-Set Aluminum Taper White A1
2c	11.4018.008.234	CSU 30 Gold Solo Air 29 46 Off-Set Aluminum Taper Diffusion Black A1
2c	11.4018.008.235	CSU 30 Gold Solo Air 29 51 Off-Set Aluminum Taper Black A1
2c	11.4018.008.236	CSU 30 Gold Solo Air 29 51 Off-Set Aluminum Taper White A1
2c	11.4018.008.237	CSU 30 Gold Solo Air 29 51 Off-Set Aluminum Taper Diffusion Black A1
3	11.4018.028.006	Dust Seal/Foam Ring Black 30mm Seal, 5mm Foam Ring - XC30/30 Gold A1
4	11.4018.028.007	Dust Seal 30mm Black - XC30/30 Gold Qty 20
5	11.4018.028.008	Foam Ring 30mm x 5mm - XC30/30 Gold A1 Qty 20
6	11.4310.465.000	Fork Shaft Bolt Kit
7	11.4015.534.010	Hydraulic Hose Clamp, Lower Leg - PIKE/XC30/30Gold
8a	11.4018.033.000	Rebound Adjuster 26 Long - XC30/ 30 Gold A1
8b	11.4018.033.001	Rebound Adjuster 27.5 XC30/ 30 Gold A1
8c	11.4018.033.002	Rebound Adjuster 29 - XC30/ 30 Gold A1
9a	11.4308.848.000	PopLoc Lever Left (17mm cable pull, not compatible with 2013+ Motion Control)
9a	11.4309.207.000	PopLoc Lever Right (17mm cable pull, not compatible with 2013+ Motion Control)
9b	11.4308.849.000	PopLoc Adjust Lever Left (17mm cable pull, not compatible with 2013+ Motion Control)
9b	11.4309.208.000	PopLoc Adjust Lever Right (17mm cable pull, not compatible with 2013+ Motion Control)
10	11.4015.536.010	Remote Spool/Cable Clamp Kit - XC30/30 Gold
11	11.4015.461.050	Compression Knob Kit, TurnKey - Recon/Sektor/30 Gold/XC32/XC30 A1-A3 (2012-2014)
12a	11.4018.009.040	Damper Internals Right Turnkey 30 Gold TK 26,27.5,29 80-100 Crown A1
12a	11.4018.009.042	Damper Internals Right Turnkey 30 Gold TK 27.5,29 120 Crown A1
12b	11.4018.009.041	Damper Internals Right Turnkey 30 Gold TK 26,27.5,29 80-100 Remote 17mm Cable Pull (PopLoc/original PushLoc only) A1
12b	11.4018.009.043	Damper Internals Right Turnkey 30 Gold TK 27.5,29 120 Remote 17mm Cable Pull (PopLoc/original PushLoc only) A1
13	11.4018.025.010	Rebound Damper and Seal Head Assembly/Shaft Bolt- 30 Gold TK A1
14	11.4015.353.040	Seal Head Assembly (Rebound Damper, Turnkey) 30mm -30 Gold A1
15	11.4018.012.005	Air Top Cap, Solo Air 30mm 30 Gold A1
16	11.4018.010.099	Spring Internals Left 30 Gold 26 80 Solo Air (includes top cap, solo air spring, shaft bolt) A1
16	11.4018.010.100	Spring Internals Left 30 Gold 26 100 Solo Air (includes top cap, solo air spring, shaft bolt) A1
16	11.4018.010.118	Spring Internals Left 30 Gold 26 110 Solo Air (includes top cap, solo air spring, shaft bolt) A1
16	11.4018.010.101	Spring Internals Left 30 Gold 27.5, 29 80 Solo Air (includes top cap, solo air spring, shaft bolt) A1
16	11.4018.010.102	Spring Internals Left 30 Gold 27.5, 29 100 Solo Air (includes top cap, solo air spring, shaft bolt) A1
16	11.4018.010.103	Spring Internals Left 30 Gold 27.5, 29 120 Solo Air (includes top cap, solo air spring, shaft bolt) A1
17	11.4018.034.000	Travel Spacers Solo Air (used to change travel) - Recon/30 Gold/XC 32/XC30
18	11.4308.327.002	Schrader Valve Core Qty 2
ns	11.4018.035.000	Service Kit Full - 30 Gold Solo Air (includes solo air and damper seals and hardware) A1
ns	00.4315.032.400	AM Fork Service Kit, Basic (includes dust seals, foam rings, o-ring seals) - 30 Gold A1
bulk	11.4015.259.000	Crush Washer 8mm, Qty 50
bulk	11.4015.260.000	Crush Washer Retainer, Qty 50
bulk	11.4018.028.007	Dust Seal 30mm Black - XC30/30 Gold Qty 20
bulk	11.4018.028.008	Foam Ring 30mm x 5mm - XC30/30 Gold A1 Qty 20
ns	11.4318.003.260	Decal Kit 30 Gold 26 Silver/White Lower Leg A1
ns	11.4318.003.261	Decal Kit 30 Gold 26 Silver/Black Lower Leg A1
ns	11.4318.003.262	Decal Kit 30 Gold 26 Silver/Diffusion Black Lower Leg A1
ns	11.4318.003.263	Decal Kit 30 Gold 27.5 Silver/White Lower Leg A1
ns	11.4318.003.264	Decal Kit 30 Gold 27.5 Silver/Black Lower Leg A1
ns	11.4318.003.265	Decal Kit 30 Gold 27.5 Silver/Diffusion Black Lower Leg A1
ns	11.4318.003.266	Decal Kit 30 Gold 29 Silver/White Lower Leg A1
ns	11.4318.003.267	Decal Kit 30 Gold 29 Silver/Black Lower Leg A1
ns	11.4318.003.268	Decal Kit 30 Gold 29 Silver/Diffusion Black Lower Leg A1
ns	11.4309.073.000	Kit Disk Brake Cable Accessory
ns	00.4315.023.010	High-Pressure Fork/Shock Pump (300 psi Max) RockShox
ns	00.4315.022.010	Schrader Valve Removal Tool Rockshox



Note:

1. Full service kits include replaceable o-rings, glide rings, retaining rings, crush washers, crush washer retainers, lower leg bottom-out bumpers and shaft bolts/nuts. All air service kits include replacement schrader valve cores. Not all service parts are pictured. All basic service kits include the following replaceable wear items: o-rings, glide rings, dust seals, and foam rings.
2. Rebound damper and spring shaft kits include crush washers, crush washer retainers and shaft bolts, as well as upper tube retaining rings and rebound adjuster knob.
3. Damper side = rider's right. Spring side = rider's left.
4. All lower legs include bottom-out bumpers, bushings, foam rings and dust seals installed.
5. Coil spring kits are factory assembled. Top cap must be installed onto upper spring guide. Spring assembly is NOT compatible with older Tora forks
6. Lower leg bushings are not replaceable in XC32/Tora Turnkey forks. Lower leg assembly must be replaced.
7. Decals are not included with Lower Leg assembly kits; decals offered separately.
8. 80mm Solo Air spring assembly pictured.
9. Convert from Crown Adjust to Remote Adjust: Remote compression damper requires remote compression adjuster spool, cable clamp and remote lever assembly.
10. Refer to the RockShox Technical Manual (www.sram.com) for oil volumes and torque values.

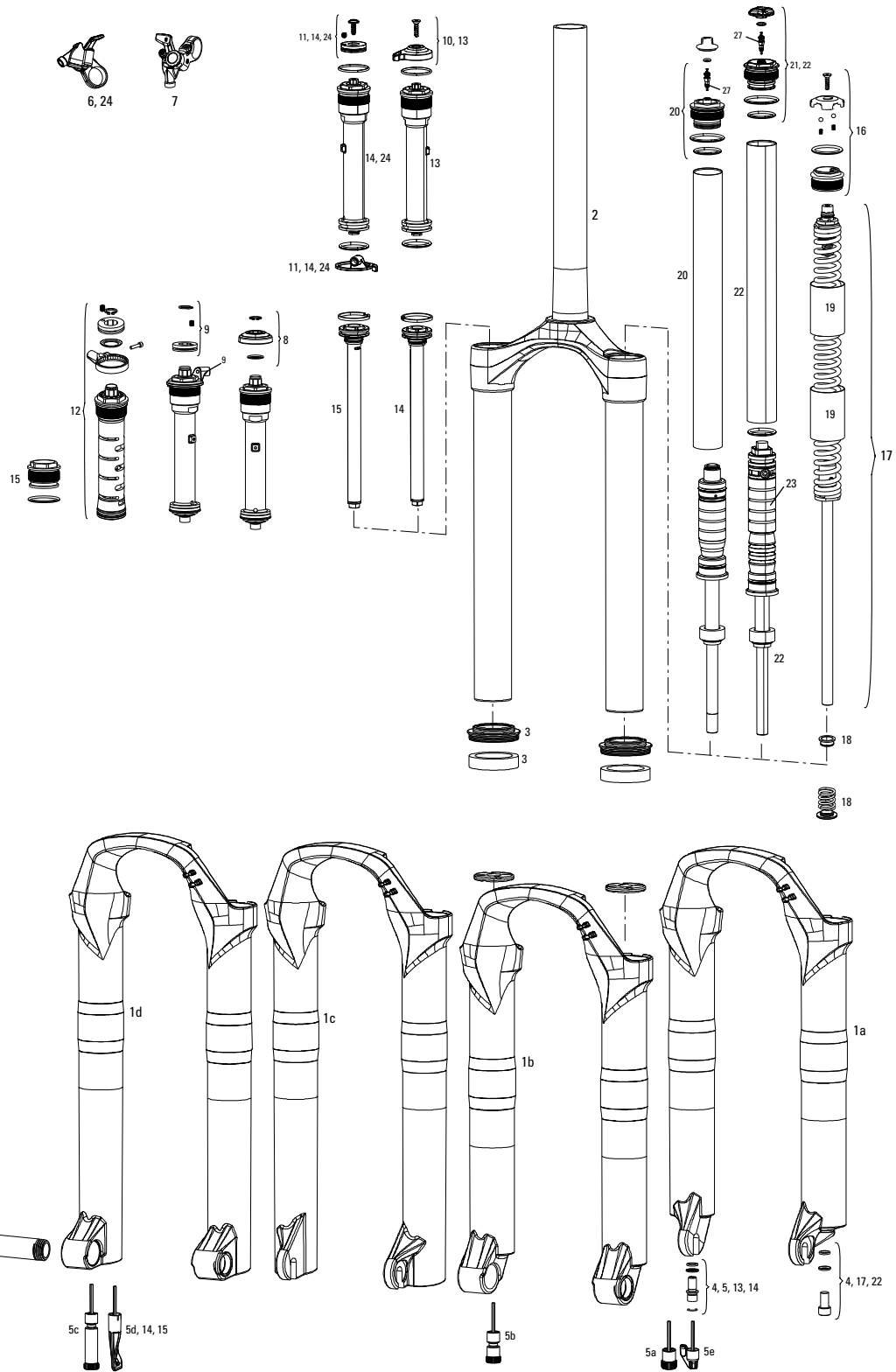
XC32 (A1-A3/2011-2014)



No.	Part Number	Description
1a	11.4015.478.010	Lower Leg, White, Disc, 26", 9mm QR - 2011 Tora TK (no decals)
1a	11.4015.478.020	Lower Leg, Black, Disc, 26", 9mm QR - 2011 Tora TK (no decals)
1a	11.4018.006.083	Lower Leg XC32 26Q Disc Diffusion Black
1b	11.4015.478.030	Lower Leg, White, Rim/Disc, 26", 9mm QR - 2011 Tora TK (no decals)
1b	11.4015.478.040	Lower Leg, Black, Rim/Disc, 26", 9mm QR - 2011 Tora TK (no decals)
1b	11.4018.006.082	Lower Leg XC32 26Q Rim/Disc Diffusion Black
1c	11.4015.478.050	Lower Leg, White, Disc, 29", 9mm QR - 2011 Tora TK (no decals)
1c	11.4015.478.060	Lower Leg, Black, Disc, 29", 9mm QR - 2011 Tora TK (no decals)
1c	11.4018.006.081	Lower Leg XC32 29Q Disc Diffusion Black
ns	11.4015.479.030	CSU, Aluminum Steerer 265mm, 1.5" - 2011 Tora TK
2	11.4018.008.029	CSU XC32 Satin Nickel 26 Aluminum 11/8 Black
2	11.4018.008.030	CSU XC32 Satin Nickel 26 Aluminum 11/8 White
2	11.4018.008.031	CSU XC32 Satin Nickel 26 Aluminum 11/8 Diffusion Black
2	11.4018.008.035	CSU XC32 Satin Nickel 29 51 OffSet Aluminum 11/8 Black
2	11.4018.008.036	CSU XC32 Satin Nickel 29 51 OffSet Aluminum 11/8 White
2	11.4018.008.037	CSU XC32 Satin Nickel 29 51 OffSet Aluminum 11/8 Diffusion Black
2	11.4018.008.038	CSU XC32 Solo Air Satin Nickel 26/29 Aluminum 11/8 Black
2	11.4018.008.039	CSU XC32 Solo Air Satin Nickel 26/29 Aluminum 11/8 White
2	11.4018.008.040	CSU XC32 Solo Air Satin Nickel 26/29 Aluminum 11/8 DiffusionBlack
2	11.4018.008.047	CSU SEKTOR SILVER/XC32 Solo Air Satin Nickel 29 51 OffSet Aluminum 11/8 Black
2	11.4018.008.048	CSU SEKTOR SILVER/XC32 Solo Air Satin Nickel 29 51 OffSet Aluminum 11/8 White
2	11.4018.008.049	CSU SEKTOR SILVER/XC32 Solo Air Satin Nickel 29 51 OffSet Aluminum 11/8 Diffusion Black
ns	11.4018.008.032	CSU XC32 Satin Nickel 26 Aluminum Taper Black
ns	11.4018.008.033	CSU XC32 Satin Nickel 26 Aluminum Taper White
ns	11.4018.008.034	CSU XC32 Satin Nickel 26 Aluminum Taper Diffusion Black
ns	11.4018.008.041	CSU XC32 Satin Nickel 29 51 OffSet Aluminum Taper Black
ns	11.4018.008.042	CSU XC32 Satin Nickel 29 51 OffSet Aluminum Taper White
ns	11.4018.008.043	CSU XC32 Satin Nickel 29 51 OffSet Aluminum Taper Diffusion Black
ns	11.4018.008.044	CSU SEKTOR SILVER/XC32 Solo Air Satin Nickel 26/29 Aluminum Taper Black
ns	11.4018.008.045	CSU SEKTOR SILVER/XC32 Solo Air Satin Nickel 26/29 Aluminum Taper White
ns	11.4018.008.046	CSU SEKTOR SILVER/XC32 Solo Air Satin Nickel 26/29 Aluminum Taper Diffusion Black
ns	11.4018.008.050	CSU SEKTOR SILVER/XC32 Solo Air Satin Nickel 29 51 OffSet Aluminum Taper Black
ns	11.4018.008.051	CSU SEKTOR SILVER/XC32 Solo Air Satin Nickel 29 51 OffSet Aluminum Taper White
ns	11.4018.008.052	CSU SEKTOR SILVER/XC32 Solo Air Satin Nickel 29 51 OffSet Aluminum Taper Diffusion Black
3	11.4307.469.000	Brake Post Kit Steel (Qty 2)
4	11.4310.290.000	Dust Seal/Foam Ring Grey 32mm Seal, 10mm Foam Ring-Revelation/Argyle/Sektor/Tora/Recon/XC32
5	11.4310.465.000	Fork Shaft Bolt Kit
6a	11.4015.390.000	HC2 Rebound Adjust Knob Flag NEW (both short and long)
6b	11.4015.483.010	Rebound Adjust Knob - 2011 Tora TK/2011 Recon Silver 29"
7	11.4308.848.000	PopLoc Lever Left (17mm cable pull, not compatible with 2013+ Motion Control)
7	11.4309.207.000	PopLoc Lever Right (17mm cable pull, not compatible with 2013+ Motion Control)
8	11.4308.849.000	PopLoc Adjust Lever Left (17mm cable pull, not compatible with 2013+ Motion Control)
8	11.4309.208.000	PopLoc Adjust Lever Right (17mm cable pull, not compatible with 2013+ Motion Control)
10	11.4015.482.010	Adjuster Knob, Compression, TurnKey - 2011 Tora TK/2011 Recon Silver
11	11.4310.673.000	Compression Adjuster Knob/Remote Spool/Cable Clamp Kit, Turnkey
12	11.4015.461.050	Compression Knob Kit, TurnKey - Recon/Sektor/30 Gold/XC32/XC30 A1-A3 (2012-2014)
13	11.4018.011.001	Remote Spool/Cable Clamp Kit XC32/Recon Silver (17mm Pull Damper, PopLoc/pre-2013 PushLoc only) 2013-2014
14	11.4018.009.038	Damper Internals Right Turnkey SKTRS/ XC32 TK 27.5 80-120 Crown A1-A3
15	11.4018.009.039	Damper Internals Right Turnkey SKTRS/ XC32 TK 27.5 80-120 Remote 17mm Cable Pull (PopLoc/original PushLoc only) A1-A3
16	11.4015.439.010	Top Cap, Rebound, Non-Adjust - 2010 Tora XC, 2011 Recon Silver
17	11.4015.480.010	Top Cap/Preload Adjuster Knob, Aluminum 2011 Tora TK
18	11.4015.481.010	Spring/Shaft, X-Soft, Silver, 120mm - 2011 Tora TK (includes spring, shaft, shaft bolt)
18	11.4015.481.020	Spring/Shaft, X-Soft, Silver, 100mm - 2011 Tora TK (includes spring, shaft, shaft bolt)
18	11.4015.481.030	Spring/Shaft, X-Soft, Silver, 80mm - 2011 Tora TK (includes spring, shaft, shaft bolt)
18	11.4015.481.040	Spring/Shaft, Soft, Yellow, 120mm - 2011 Tora TK (includes spring, shaft, shaft bolt)
18	11.4015.481.050	Spring/Shaft, Soft, Yellow, 100mm - 2011 Tora TK (includes spring, shaft, shaft bolt)
18	11.4015.481.060	Spring/Shaft, Soft, Yellow, 80mm - 2011 Tora TK (includes spring, shaft, shaft bolt)
18	11.4015.481.070	Spring/Shaft, Medium, Red, 120mm - 2011 Tora TK (includes spring, shaft, shaft bolt)
18	11.4015.481.080	Spring/Shaft, Medium, Red, 100mm - 2011 Tora TK (includes spring, shaft, shaft bolt)
18	11.4015.481.090	Spring/Shaft, Medium, Red, 80mm - 2011 Tora TK (includes spring, shaft, shaft bolt)
18	11.4015.481.100	Spring/Shaft, Firm, Blue, 120mm - 2011 Tora TK (includes spring, shaft, shaft bolt)
18	11.4015.481.110	Spring/Shaft, Firm, Blue, 100mm - 2011 Tora TK (includes spring, shaft, shaft bolt)
18	11.4015.481.120	Spring/Shaft, Firm, Blue, 80mm - 2011 Tora TK (includes spring, shaft, shaft bolt)
18	11.4015.481.130	Spring/Shaft, X-Firm, Black, 120mm - 2011 Tora TK (includes spring, shaft, shaft bolt)
18	11.4015.481.140	Spring/Shaft, X-Firm, Black, 100mm - 2011 Tora TK (includes spring, shaft, shaft bolt)
18	11.4015.481.150	Spring/Shaft, X-Firm, Black, 80mm - 2011 Tora TK (includes spring, shaft, shaft bolt)
19	11.4309.336.000	Coil Spring Isolator Kit Qty 3
20	11.4018.012.000	Air Top Cap, XC32/Recon Silver (32mm steel upper tubes only)
21	11.4018.010.031	Spring Internals Left XC32 2629 80 Solo Air (includes top cap, solo air spring and air tube, shaft bolt)
21	11.4018.010.032	Spring Internals Left XC32 2629 100 Solo Air (includes top cap, solo air spring and air tube, shaft bolt)
21	11.4018.010.033	Spring Internals Left XC32 2629 110 Solo Air (includes top cap, solo air spring and air tube, shaft bolt)
21	11.4018.010.034	Spring Internals Left XC32 2629 120 Solo Air (includes top cap, solo air spring and air tube, shaft bolt)
22	00.4318.002.007	Remote Upgrade Kit - Sektor Silver/ XC32 - TurnKey - Includes Remote Compression Damper and PopLoc Remote Right
ns	11.4015.485.000	Service Kit - Tora TK
ns	11.4018.014.000	Service Kit Full - XC32 Solo Air 2013 (includes solo air and damper seals and hardware)



No.	Part Number	Description
bulk	11.4015.259.000	Crush Washer 8mm, Qty 50
bulk	11.4015.260.000	Crush Washer Retainer, Qty 50
bulk	11.4310.695.000	Dust Seal 32mm Grey - SID/Revelation/Reba/Argyle/Sektor/Tora/Recon/XC32 QTY 20
bulk	11.4310.698.000	Foam Ring 32mm x 10mm - Revelation/Argyle/Sektor/Tora/Recon/XC32 Qty 20
ns	11.4318.003.257	Decal Kit XC30 Turnkey 27.5 Disc Coil Silver/White Lower Leg A3
ns	11.4318.003.258	Decal Kit XC30 Turnkey 27.5 Disc Coil Silver/Black Lower Leg A3
ns	11.4318.003.259	Decal Kit XC30 Turnkey 27.5 Disc Coil Silver/Diffusion Black Lower Leg A3
ns	11.4318.003.027	Decal Kit XC32 29 Disc Solo Air Silver/White
ns	11.4318.003.028	Decal Kit XC32 29 Disc Solo Air Silver/Black
ns	11.4318.003.029	Decal Kit XC32 29 Disc Solo Air Silver/Diffusion Black
ns	11.4318.003.030	Decal Kit XC32 26 Disc Solo Air Silver/White
ns	11.4318.003.031	Decal Kit XC32 26 Disc Solo Air Silver/Black
ns	11.4318.003.032	Decal Kit XC32 26 Disc Solo Air Silver/Diffusion Black
ns	11.4318.003.033	Decal Kit XC32 26 Rim Solo Air Silver/White
ns	11.4318.003.034	Decal Kit XC32 26 Rim Solo Air Silver/Black
ns	11.4318.003.035	Decal Kit XC32 26 Rim Solo Air Silver/Diffusion Black
ns	11.4309.073.000	Kit Disk Brake Cable Accessory
ns	00.4315.023.010	High-Pressure Fork/Shock Pump (300 psi Max) RockShox
ns	00.4315.022.010	Schrader Valve Removal Tool Rockshox



Note:

1. Full service kits include replaceable o-rings, glide rings, retaining rings, crush washers, crush washer retainers, lower leg bottom-out bumpers and shaft bolts/nuts. All air service kits include replacement schrader valve cores. Not all service parts are pictured. All basic service kits include the following replaceable wear items: o-rings, glide rings, dust seals, and foam rings.
2. Rebound damper and spring shaft kits include crush washers, crush washer retainers and shaft bolts, as well as upper tube retaining rings and rebound adjuster knob.
3. Damper side = rider's right. Spring side = rider's left.
4. All lower legs include bottom-out bumpers, bushings, foam rings and dust seals installed. Decals are not included with Lower Leg Assembly kits; decals offered separately.
5. Convert from Crown Adjust to Remote Adjust: Remote compression damper requires remote compression adjuster spool, cable clamp and remote lever assembly.
6. Coil spring kits are fully assembled. Top cap must be installed onto upper spring guide. Spring assembly is NOT compatible with older Tora forks.
7. 80mm Solo Air spring assembly pictured.
8. Refer to the 2010 RockShox Technical Manual (www.sram.com) for oil volumes, air pressure settings and torque values.

RECON SILVER (A1-A3/2011-2014)

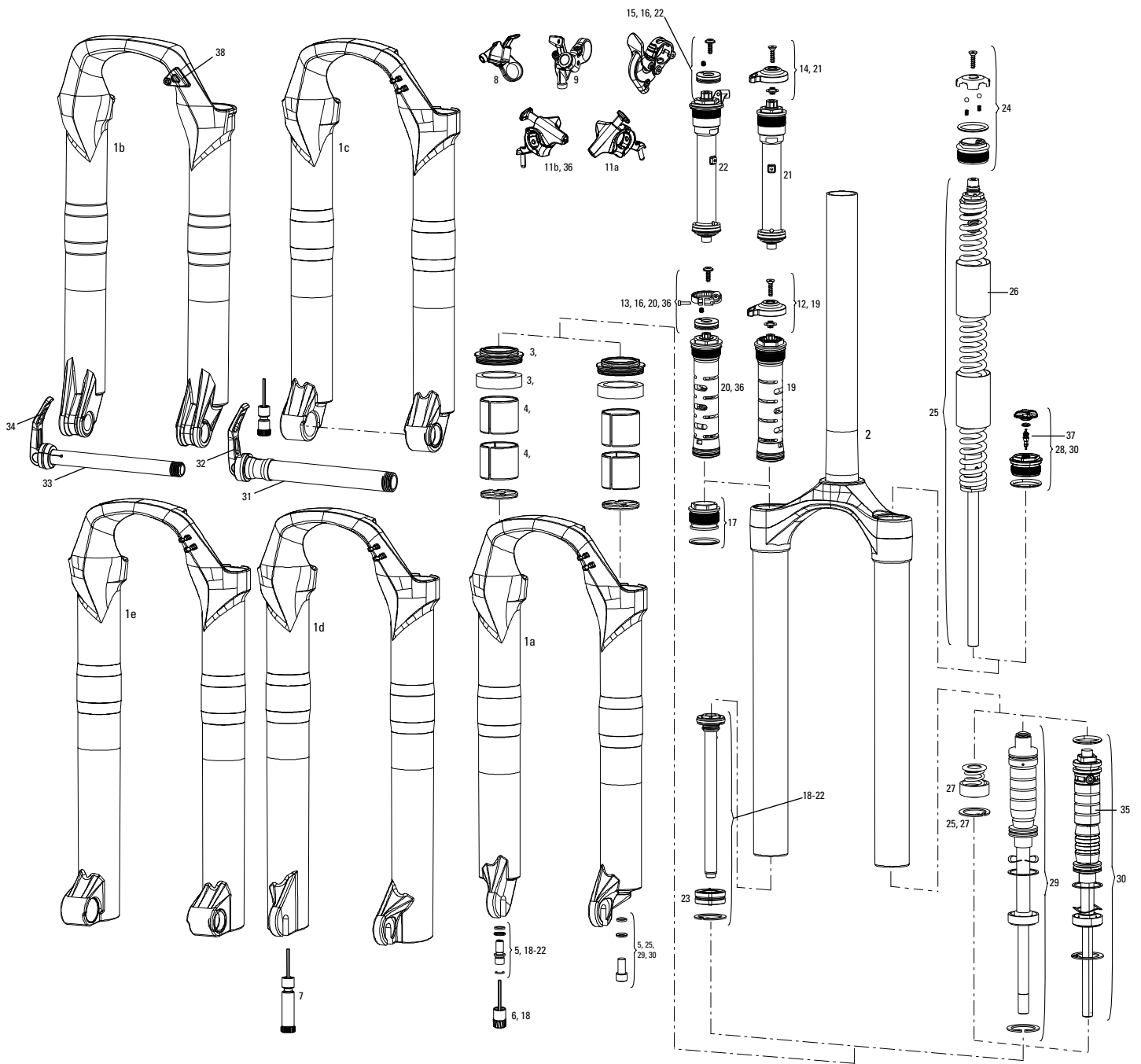


No.	Part Number	Description
1a	11.4018.006.090	Lower Leg Recon 26Q Disc Black
1a	11.4018.006.091	Lower Leg Recon 26Q Disc White
1a	11.4018.006.092	Lower Leg Recon 26Q Disc Diffusion Black
1b	11.4015.310.060	2009-2011 Reba, 2010 Tora/Recon XC/SL/Race, 2011 Recon (Silver/Gold) Lower Leg 26" 20mm Maxle White Disc 80mm-120mm
1b	11.4015.310.080	2009-2011 Reba, 2010 Tora/Recon XC/SL/Race, 2011 Recon (Silver/Gold) Lower Leg 26" 20mm Maxle Black Disc 80mm-120mm
1b	11.4015.395.060	Lower Leg 26", Maxle Lite 15mm, Black 2010-2014 Revelation/2011-2014 Sektor/2012-2014 Recon Gold (no decals)
1b	11.4015.395.050	Lower Leg 26", Maxle Lite 15mm, White 2010-2014 Revelation/2011-2014 Sektor/2012-2014 Recon Gold (no decals)
1b	11.4015.395.070	Lower Leg 26", Maxle Lite 15mm, Diffusion Black 2010-2014 Revelation/2011-2014 Sektor/2012-2014 Recon Gold (no decals)
1c	11.4018.006.093	Lower Leg Recon 29Q Disc Black
1c	11.4018.006.094	Lower Leg Recon 29Q Disc White
1c	11.4018.006.095	Lower Leg Recon 29Q Disc Diffusion Black
1d	11.4018.006.084	Lower Leg Sektor/Recon 2029 Disc Black
1d	11.4018.006.085	Lower Leg Sektor/Recon 2029 Disc White
1d	11.4018.006.086	Lower Leg Sektor/Recon 2029 Disc Diffusion Black
1d	11.4018.006.087	Lower Leg Sektor/Recon/XC32 2915 Disc Black
1d	11.4018.006.088	Lower Leg Sektor/Recon/XC32 2915 Disc White
1d	11.4018.006.089	Lower Leg Sektor/Recon/XC32 2915 Disc Diffusion Black
ns	11.4015.310.140	2010 Tora/Recon (XC/SL/Race), 2011 Recon (Silver/Gold) LowerLeg 26" Black Rim/Disc 80mm-120mm
ns	11.4015.310.120	2010 Tora/Recon (XC/SL/Race), 2011 Recon (Silver/Gold) LowerLeg 26" White Rim/Disc 80mm-120mm
2	11.4015.435.010	CSU Solo Air, Aluminum Steerer 265mm - 2010 Tora XC/SL, 2011 Recon Silver
2	11.4015.435.020	CSU Coil, Aluminum Steerer 265mm - 2010 Tora XC/SL, 2011 Recon Silver (coil top-out spring assy)
2	11.4015.435.030	CSU Coil, Steel Steerer 320mm - 2010 Tora XC/SL, 2011 Recon Silver (coil top-out spring assy)
2	11.4015.435.040	CSU Solo Air, Aluminum Steerer 265mm - 2010 Tora XC/SL, 2011 Recon Silver 29er (46 off-set)
2	11.4015.435.050	CSU Coil, Aluminum Steerer 265mm - 2010 Tora XC/SL, 2011 Recon Silver 29er (46 off-set) (coil top-out spring assy)
2	11.4018.008.053	CSU Recon Silver Solo Air Satin Nickel 26 QR Aluminum 11/8 Black
2	11.4018.008.054	CSU Recon Silver Solo Air Satin Nickel 26 QR Aluminum 11/8 White
2	11.4018.008.055	CSU Recon Silver Solo Air Satin Nickel 26 QR Aluminum 11/8 Diffusion Black
2	11.4018.008.056	CSU Recon Silver Coil Satin Nickel 26 Aluminum 11/8 Black
2	11.4018.008.057	CSU Recon Silver Coil Satin Nickel 26 Aluminum 11/8 White
2	11.4018.008.058	CSU Recon Silver Coil Satin Nickel 26 Aluminum 11/8 Diffusion Black
2	11.4018.008.065	CSU Recon Silver Solo Air Satin Nickel 26 15mm Maxle Aluminum 11/8 Black
2	11.4018.008.066	CSU Recon Silver Solo Air Satin Nickel 26 15mm Maxle Aluminum 11/8 White
2	11.4018.008.067	CSU Recon Silver Solo Air Satin Nickel 26 15mm Maxle Aluminum 11/8 Diffusion Black
2	11.4018.008.071	CSU Recon Silver Solo Air Satin Nickel 29 46 Off-Set Aluminum 11/8 Black
2	11.4018.008.072	CSU Recon Silver Solo Air Satin Nickel 29 46 Off-Set Aluminum 11/8 White
2	11.4018.008.073	CSU Recon Silver Solo Air Satin Nickel 29 46 Off-Set Aluminum 11/8 Diffusion Black
2	11.4018.008.077	CSU Recon Silver Solo Air Satin Nickel 29 51 Off-Set Aluminum 11/8 Black
2	11.4018.008.078	CSU Recon Silver Solo Air Satin Nickel 29 51 Off-Set Aluminum 11/8 White
2	11.4018.008.079	CSU Recon Silver Solo Air Satin Nickel 29 51 Off-Set Aluminum 11/8 Diffusion Black
ns	11.4015.435.060	CSU Coil, Tapered Alum Steerer - 2010 Tora XC/SL, 2011 Recon Silver Solo Air (80-120mm)
ns	11.4018.008.059	CSU Recon Silver Solo Air Satin Nickel 26 Aluminum Taper Black
ns	11.4018.008.060	CSU Recon Silver Solo Air Satin Nickel 26 Aluminum Taper White
ns	11.4018.008.061	CSU Recon Silver Solo Air Satin Nickel 26 Aluminum Taper Diffusion Black
ns	11.4018.008.062	CSU Recon Silver Coil Satin Nickel 26 Aluminum Taper Black
ns	11.4018.008.063	CSU Recon Silver Coil Satin Nickel 26 Aluminum Taper White
ns	11.4018.008.064	CSU Recon Silver Coil Satin Nickel 26 Aluminum Taper Diffusion Black
ns	11.4018.008.068	CSU Recon Silver Solo Air Satin Nickel 26 Aluminum Taper Black
ns	11.4018.008.069	CSU Recon Silver Solo Air Satin Nickel 26 Aluminum Taper White
ns	11.4018.008.070	CSU Recon Silver Solo Air Satin Nickel 26 Aluminum Taper Diffusion Black
ns	11.4018.008.074	CSU Recon Silver Solo Air Satin Nickel 29 46 Off-Set Aluminum Taper Black
ns	11.4018.008.075	CSU Recon Silver Solo Air Satin Nickel 29 46 Off-Set Aluminum Taper White
ns	11.4018.008.076	CSU Recon Silver Solo Air Satin Nickel 29 46 Off-Set Aluminum Taper Diffusion Black
ns	11.4018.008.080	CSU Recon Silver Solo Air Satin Nickel 29 51 Off-Set Aluminum Taper Black
ns	11.4018.008.081	CSU Recon Silver Solo Air Satin Nickel 29 51 Off-Set Aluminum Taper White
ns	11.4018.008.082	CSU Recon Silver Solo Air Satin Nickel 29 51 Off-Set Aluminum Taper Diffusion Black
ns	11.4307.469.000	Brake Post Kit Steel (Qty 2)
3	11.4310.290.000	Dust Seal/Foam Ring Grey 32mm Seal, 10mm Foam Ring-Revelation/Argyle/Sektor/Tora/Recon/XC32
ns	11.4015.436.000	Bushing Kit - 2010 Tora XC/SL, 2011 Recon Silver (Steel)
4	11.4310.465.000	Fork Shaft Bolt Kit
5a	11.4310.645.000	Rebound Adjuster Knob/Bolt Kit, Aluminum Red, Short
5b	11.4015.404.010	Rebound Adjuster Knob/Bolt Kit, Aluminum Red Long (use with Maxle lower leg)
5c	11.4015.318.000	Rebound Damper Adjuster Knob Long/Bolt (Aluminum Red) - Tora/Recon/Reba/Revelation 27/29"
5d	11.4015.483.010	Rebound Adjust Knob - 2011 Tora TK/2011 Recon Silver 29"
5e	11.4015.390.000	HC2 Rebound Adjust Knob Flag NEW (both short and long)
6	11.4308.848.000	PopLoc Lever Left (17mm cable pull, not compatible with 2013+ Motion Control)
6	11.4309.207.000	PopLoc Lever Right (17mm cable pull, not compatible with 2013+ Motion Control)
7	11.4308.849.000	PopLoc Adjust Lever Left (17mm cable pull, not compatible with 2013+ Motion Control)
7	11.4309.208.000	PopLoc Adjust Lever Right (17mm cable pull, not compatible with 2013+ Motion Control)
8	11.4015.240.000	Motion Control Compression Knob Standard Adjust Alum w/ Cir-Clip
9	11.4310.673.000	Compression Adjuster Knob/Remote Spool/Cable Clamp Kit, Turnkey
10	11.4015.461.050	Compression Knob Kit, TurnKey - Recon/Sektor/30 Gold/XC32/XC30 A1-A3 (2012-2014)
11	11.4018.011.001	Remote Spool/Cable Clamp Kit XC32/Recon Silver (17mm Pull Damper, PopLoc/pre-2013 PushLoc only) 2013-2014
12	11.4015.306.030	2010 Tora XC/SL/Race, 2011 Recon Silver Motion Control Compression Damper Kit, Remote (includes remote spool assembly and cable-stop clamp)
12	11.4018.020.000	Compression Damper, Motion Control Threshold, Remote Adjust 10mm - 2013 Recon Silver (includes remote spool and cable clamp; compatible with 2013 PushLoc only)
13	11.4018.009.044	Damper Internals Right Turnkey Recon Silver TK 26,29 80-120 Crown A1-A3
14	11.4018.009.045	Damper Internals Right Turnkey Recon Silver TK 26,29 80-120 Remote 17mm Cable Pull (PopLoc/original PushLoc only) A1-A3
15	11.4015.439.010	Top Cap, Rebound, Non-Adjust - 2010 Tora XC, 2011 Recon Silver
16	11.4015.438.010	Top Cap/Preload Adjuster Knob, Aluminum - 2010 Tora XC/SL, 2011 Recon Silver

RECON SILVER (A1-A3/2011-2014)



No.	Part Number	Description
17	11.4015.437.010	Coil/Shaft Assy, X-Soft Silver 120mm - 2010-2011 Tora/Recon XC Series 32mm (requires Top Cap Kit - Tora or Recon)
17	11.4015.437.020	Coil/Shaft Assy, Soft Yellow 120mm - 2010-2011 Tora/Recon XC Series 32mm (requires Top Cap Kit - Tora or Recon)
17	11.4015.437.030	Coil/Shaft Assy, Med Red 120mm - 2010-2011 Tora/Recon XC Series 32mm (requires Top Cap Kit - Tora or Recon)
17	11.4015.437.040	Coil/Shaft Assy, Firm Blue 120mm - 2010-2011 Tora/Recon XC Series 32mm (requires Top Cap Kit - Tora or Recon)
17	11.4015.437.050	Coil/Shaft Assy, X-Firm Black 120mm - 2010-2011 Tora/Recon XC Series 32mm (requires Top Cap Kit - Tora or Recon)
17	11.4015.437.060	Coil/Shaft Assy, X-Soft Silver 100mm - 2010-2011 Tora/Recon XC Series 32mm (requires Top Cap Kit - Tora or Recon)
17	11.4015.437.070	Coil/Shaft Assy, Soft Yellow 100mm - 2010-2011 Tora/Recon XC Series 32mm (requires Top Cap Kit - Tora or Recon)
17	11.4015.437.080	Coil/Shaft Assy, Med Red 100mm - 2010-2011 Tora/Recon XC Series 32mm (requires Top Cap Kit - Tora or Recon)
17	11.4015.437.090	Coil/Shaft Assy, Firm Blue 100mm - 2010-2011 Tora/Recon XC Series 32mm (requires Top Cap Kit - Tora or Recon)
17	11.4015.437.100	Coil/Shaft Assy, X-Firm Black 100mm - 2010-2011 Tora/Recon XC Series 32mm (requires Top Cap Kit - Tora or Recon)
17	11.4015.437.110	Coil/Shaft Assy, X-Soft Silver 80mm - 2010-2011 Tora/Recon XC Series 32mm (requires Top Cap Kit - Tora or Recon)
17	11.4015.437.120	Coil/Shaft Assy, Soft Yellow 80mm - 2010-2011 Tora/Recon XC Series 32mm (requires Top Cap Kit - Tora or Recon)
17	11.4015.437.130	Coil/Shaft Assy, Med Red 80mm - 2010-2011 Tora/Recon XC Series 32mm (requires Top Cap Kit - Tora or Recon)
17	11.4015.437.140	Coil/Shaft Assy, Firm Blue 80mm - 2010-2011 Tora/Recon XC Series 32mm (requires Top Cap Kit - Tora or Recon)
17	11.4015.437.150	Coil/Shaft Assy, X-Firm Black 80mm - 2010-2011 Tora/Recon XC Series 32mm (requires Top Cap Kit - Tora or Recon)
18	11.4015.446.000	Top Out Spring - 2010 Tora XC/SL, 2011 Recon Silver
19	11.4309.336.000	Coil Spring Isolator Kit Qty 3
20	11.4015.124.000	Tora/Recon Silver/Argyle Solo Air Top Cap Assy (steel upper tubes)
21	11.4018.012.000	Air Top Cap, XC32/Recon Silver (32mm steel upper tubes only)
22	11.4018.010.035	Spring Internals Left Recon Silver 2629 80 Solo Air (includes top cap, solo air spring and air tube, shaft bolt)
22	11.4018.010.036	Spring Internals Left Recon Silver 2629 100 Solo Air (includes top cap, solo air spring and air tube, shaft bolt)
22	11.4018.010.037	Spring Internals Left Recon Silver 2629 110 Solo Air (includes top cap, solo air spring and air tube, shaft bolt)
22	11.4018.010.038	Spring Internals Left Recon Silver 2629 120 Solo Air (includes top cap, solo air spring and air tube, shaft bolt)
23	11.4015.450.000	All-Travel Spacer Kit (not compatible with SID/Reba/Revelation Solo Air Spring)
24	00.4318.002.000	Remote Upgrade Kit - Recon Silver - TurnKey - Includes Remote Compression Damper and PopLoc Remote Right
ns	00.4318.005.001	Maxle Lite 15mm Black (compatible with all RockShox 15mm TA) B1
ns	11.4318.004.000	Maxle Lite Lever Assembly B1
ns	11.4315.010.010	Lever/Wedge Kit, Rear Maxle Lite 135/150mm (axle body)/Maxle Lite 15mm (front) - Black Lever 2010-2013
25	00.4315.013.010	Maxle Lite 20mm, Black (32mm, Chassis) 2011
26	11.4311.722.020	Lever/Wedge Kit, Maxle Lite 20mm (32mm/35mm/40mm) 2011
27	11.4308.327.002	Schrader Valve Core Qty 2
ns	11.4310.706.000	Tora/Recon Silver Turnkey/Motion Control/Solo Air Service Kit
ns	11.4018.015.000	Service Kit Full - Recon Silver Solo Air 2013 (includes solo air and damper seals and hardware)
ns	00.4315.032.010	AM Fork Service Kit, Basic (includes dust seals, foam rings, o-ring seals) - Recon Silver Coil (2012)
ns	00.4315.032.020	AM Fork Service Kit, Basic (includes dust seals, foam rings, o-ring seals) - Recon Silver Solo Air (2012)
ns	00.4315.032.280	AM Fork Service Kit, Basic (includes dust seals, foam rings, o-ring seals) - Recon Silver (2013-2014)
bulk	11.4015.259.000	Crush Washer 8mm, Qty 50
bulk	11.4015.260.000	Crush Washer Retainer, Qty 50
bulk	11.4310.695.000	Dust Seal 32mm Grey - SID/Revelation/Reba/Argyle/Sektor/Tora/Recon/XC32 QTY 20
bulk	11.4310.698.000	Foam Ring 32mm x 10mm - Revelation/Argyle/Sektor/Tora/Recon/XC32 Qty 20
bulk	11.4310.693.000	Reba/Pike/Tora/Recon/Revelation Lwr Bushing Qty 20
bulk	11.4310.694.000	Reba/Pike/Tora/Recon/Revelation Upr Bushing Qty 20
ns	11.4318.003.269	Decal Kit Recon 26 Disc Silver/White Lower Leg A1-A3
ns	11.4318.003.270	Decal Kit Recon 26 Disc Silver/Black Lower Leg A1-A3
ns	11.4318.003.271	Decal Kit Recon 26 Disc Silver/Diffusion Black Lower Leg A1-A3
ns	11.4318.003.272	Decal Kit Recon 26 Rim Silver/White Lower Leg A1-A3
ns	11.4318.003.273	Decal Kit Recon 26 Rim Silver/Black Lower Leg A1-A3
ns	11.4318.003.274	Decal Kit Recon 26 Rim Silver/Diffusion Black Lower Leg A1-A3
ns	11.4318.003.275	Decal Kit Recon 27.5 Disc Silver/White Lower Leg A1-A3
ns	11.4318.003.276	Decal Kit Recon 27.5 Disc Silver/Black Lower Leg A1-A3
ns	11.4318.003.277	Decal Kit Recon 27.5 Disc Silver/Diffusion Black Lower Leg A1-A3
ns	11.4318.003.278	Decal Kit Recon 29 Disc Silver/White Lower Leg A1-A3
ns	11.4318.003.279	Decal Kit Recon 29 Disc Silver/Black Lower Leg A1-A3
ns	11.4318.003.280	Decal Kit Recon 29 Disc Silver/Diffusion Black Lower Leg A1-A3
ns	11.4309.073.000	Kit Disk Brake Cable Accessory
ns	00.4315.023.010	High-Pressure Fork/Shock Pump (300 psi Max) RockShox
ns	00.4315.022.010	Schrader Valve Removal Tool Rockshox



Note:

1. Full service kits include replaceable o-rings, glide rings, retaining rings, crush washers, crush washer retainers, lower leg bottom-out bumpers and shaft bolts/nuts. All air service kits include replacement schrader valve cores. Not all service parts are pictured. All basic service kits include the following replaceable wear items: o-rings, glide rings, dust seals, and foam rings.
2. Rebound damper and spring shaft kits include crush washers, crush washer retainers and shaft bolts, as well as upper tube retaining rings and rebound adjuster knob.
3. Damper side = rider's right. Spring side = rider's left.
4. All lower legs include bottom-out bumpers, bushings, foam rings and dust seals installed. Decals are not included with Lower Leg Assembly kits; decals offered separately.
5. Convert from Crown Adjust to Remote Adjust: Remote compression damper requires remote compression adjuster spool, and remote lever assembly.
6. Coil spring kits are fully assembled. Top cap must be installed onto upper spring guide. Recon spring assembly is NOT compatible with 2006-2009 Recon forks.
7. Refer to the RockShox Technical Manual (www.sram.com) for oil volumes, air pressure settings and torque values.

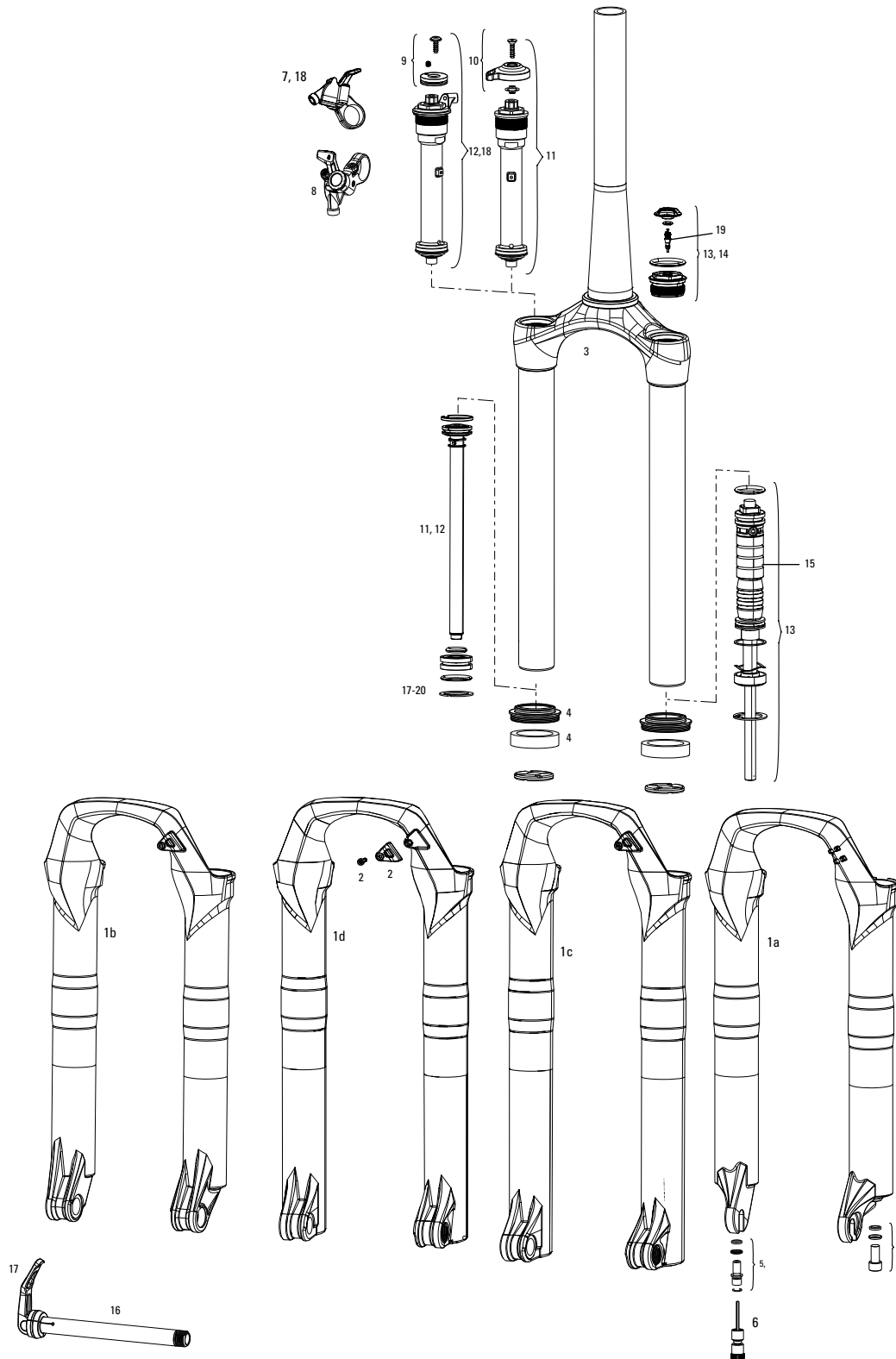
RECON GOLD (A1-A3/2011-2014)



No.	Part Number	Description
1a	11.4018.006.090	Lower Leg Recon 26Q Disc Black
1a	11.4018.006.091	Lower Leg Recon 26Q Disc White
1a	11.4018.006.092	Lower Leg Recon 26Q Disc Diffusion Black
ns	11.4015.310.140	2010 Tora/Recon (XC/SL/Race), 2011 Recon (Silver/Gold) LowerLeg 26" Black Rim/Disc 80mm-120mm
ns	11.4015.310.120	2010 Tora/Recon (XC/SL/Race), 2011 Recon (Silver/Gold) LowerLeg 26" White Rim/Disc 80mm-120mm
1b	11.4015.395.060	Lower Leg 26", Maxle Lite 15mm, Black 2010-2014 Revelation/2011-2014 Sektor/2012-2014 Recon Gold (no decals)
1b	11.4015.395.050	Lower Leg 26", Maxle Lite 15mm, White 2010-2014 Revelation/2011-2014 Sektor/2012-2014 Recon Gold (no decals)
1b	11.4015.395.070	Lower Leg 26", Maxle Lite 15mm, Diffusion Black 2010-2014 Revelation/2011-2014 Sektor/2012-2014 Recon Gold (no decals)
1c	11.4015.310.060	2009-2011 Reba, 2010 Tora/Recon XC/SL/Race, 2011 Recon (Silver/Gold) Lower Leg 26" 20mm Maxle White Disc 80mm-120mm
1c	11.4015.310.080	2009-2011 Reba, 2010 Tora/Recon XC/SL/Race, 2011 Recon (Silver/Gold) Lower Leg 26" 20mm Maxle Black Disc 80mm-120mm
1d	11.4018.006.093	Lower Leg Recon 29Q Disc Black
1d	11.4018.006.094	Lower Leg Recon 29Q Disc White
1d	11.4018.006.095	Lower Leg Recon 29Q Disc Diffusion Black
1e	11.4018.006.087	Lower Leg Sektor/Recon/XC32 2915 Disc Black
1e	11.4018.006.088	Lower Leg Sektor/Recon/XC32 2915 Disc White
1e	11.4018.006.089	Lower Leg Sektor/Recon/XC32 2915 Disc Diffusion Black
1e	11.4018.006.084	Lower Leg Sektor/Recon 2029 Disc Black
1e	11.4018.006.085	Lower Leg Sektor/Recon 2029 Disc White
1e	11.4018.006.086	Lower Leg Sektor/Recon 2029 Disc Diffusion Black
2	11.4015.524.010	CSU Black Aluminum Steerer 320mm 1 1/8 - 2011 Recon Gold
2	11.4015.524.020	CSU White Aluminum Steerer 320mm 1 1/8 - 2011 Recon Gold
2	11.4018.008.089	CSU Recon Gold Coil/Solo Air 26Q Aluminum 11/8 Diffusion Black
2	11.4018.008.090	CSU Recon Gold Coil/Solo Air 26Q Aluminum 11/8 Black
2	11.4015.524.030	CSU Recon Gold Coil/Solo Air 26Q Aluminum 11/8 White
2	11.4018.008.083	CSU Recon Gold Coil/Solo Air 2615 Aluminum 11/8 Black
2	11.4018.008.084	CSU Recon Gold Coil/Solo Air 2615 Aluminum 11/8 Diffusion Black
2	11.4018.008.085	CSU Recon Gold Coil/Solo Air 2615 Aluminum 11/8 White
2	11.4018.008.086	CSU Recon Gold Solo Air 29 46 Off-Set Aluminum 11/8 White
2	11.4018.008.087	CSU Recon Gold Solo Air 29 46 Off-Set Aluminum 11/8 Black
2	11.4018.008.088	CSU Recon Gold Solo Air 29 46 Off-Set Aluminum 11/8 Diffusion Black
2	11.4018.008.099	CSU Recon Gold Solo Air 29 51 OffSet Aluminum 11/8 Black 100Max
2	11.4018.008.100	CSU Recon Gold Solo Air 29 51 OffSet Aluminum 11/8 White 100Max
2	11.4018.008.101	CSU Recon Gold Solo Air 29 51 OffSet Aluminum 11/8 DiffusionBlack 100 Max
ns	11.4015.524.060	CSU Black 1.5 Steerer - 2011 Recon Gold
ns	11.4015.524.070	CSU White 1.5 Steerer - 2011 Recon Gold
ns	11.4015.524.050	CSU Recon Gold Solo Air 26Q Aluminum Taper White
ns	11.4018.008.091	CSU Recon Gold Coil/Solo Air 26Q Aluminum Taper Black
ns	11.4018.008.092	CSU Recon Gold Coil/Solo Air 26Q Aluminum Taper Diffusion Black
ns	11.4018.008.093	CSU Recon Gold Solo Air 29 46 Off-Set Aluminum Taper Black 100 Max
ns	11.4018.008.094	CSU Recon Gold Solo Air 29 46 Off-Set Aluminum Taper White 100 Max
ns	11.4018.008.095	CSU Recon Gold Solo Air 29 46 Off-Set Aluminum Taper Diffusion Black 100 Max
ns	11.4018.008.096	CSU Recon Gold Solo Air 29 51 OffSet Aluminum Taper Black
ns	11.4018.008.097	CSU Recon Gold Solo Air 29 51 OffSet Aluminum Taper White
ns	11.4018.008.098	CSU Recon Gold Solo Air 29 51 OffSet Aluminum Taper Diffusion Black
ns	11.4018.008.102	CSU Recon Gold Solo Air 29 46 Off-Set Aluminum Taper White
ns	11.4018.008.103	CSU Recon Gold Solo Air 29 46 Off-Set Aluminum Taper Black
ns	11.4018.008.104	CSU Recon Gold Solo Air 29 46 Off-Set Aluminum Taper Diffusion Black
ns	11.4018.008.105	CSU Recon Gold/Sektor Coil/Solo Air 2615 Aluminum Taper White
ns	11.4018.008.106	CSU Recon Gold/Sektor Coil/Solo Air 2615 Aluminum Taper Black
ns	11.4018.008.107	CSU Recon Gold/Sektor Coil/Solo Air 2615 Aluminum Taper Diffusion Black
ns	11.4307.469.000	Brake Post Kit Steel (Qty 2)
3	11.4310.290.000	Dust Seal/Foam Ring Grey 32mm Seal, 10mm Foam Ring-Revelation/Argyle/Sektor/Tora/Recon/XC32
4	11.4308.851.000	Reba/Pike/Tora/Recon/Revelation Bushing Kit
5	11.4310.465.000	Fork Shaft Bolt Kit
6	11.4310.645.000	Rebound Adjuster Knob/Bolt Kit, Aluminum Red, Short
7	11.4015.404.010	Rebound Adjuster Knob/Bolt Kit, Aluminum Red Long (use with Maxle lower leg)
8	11.4308.848.000	PopLoc Lever Left (17mm cable pull, not compatible with 2013+ Motion Control)
8	11.4309.207.000	PopLoc Lever Right (17mm cable pull, not compatible with 2013+ Motion Control)
9	11.4308.849.000	PopLoc Adjust Lever Left (17mm cable pull, not compatible with 2013+ Motion Control)
9	11.4309.208.000	PopLoc Adjust Lever Right (17mm cable pull, not compatible with 2013+ Motion Control)
11a	00.4318.002.005	Remote Upgrade Kit - 2013 PushLoc Remote Kit Left MMX (includes: PushLoc Left, MatchMaker knuckle, cable & housing)
11b	00.4318.002.006	Remote Upgrade Kit - 2013 PushLoc Remote Kit Right MMX (includes: PushLoc Right, MatchMaker knuckle, cable & housing)
12	11.4015.461.010	Compression Damper Adjuster Knob Kit (Motion Control Crown Adjust) w/ screw - Reba RL (2012-2014) /Recon (2010-2014) /Recon, Sektor Gold (2011-2014)
13	11.4015.461.020	Compression Damper Remote Spool/Clamp Kit (Motion Control Remote) w/screw Reba RL (2012-2014) /Recon (2010-2014) /Recon, Sektor Gold (2011-2014)
14	11.4015.461.050	Compression Knob Kit, TurnKey - Recon/Sektor/30 Gold/XC32/XC30 A1-A3 (2012-2014)
15	11.4015.461.040	Compression Damper Remote Spool/Clamp Kit (TurnKey Remote) -2010 Recon XC, 2011 Recon Gold, 2011 Sektor w/ screw
16	11.4018.011.002	Remote Spool/Cable Clamp Kit Recon Gold TKRL/Sektor TKRL/Reba RL (10mm Pull 2013+ Damper and PushLoc only) 2013-2014
17	11.4310.172.000	Recon Reb Non-Adj Top Cap
18	11.4015.443.010	Rebound Damper & Seal Head (80-120mm) - 2010 Recon XC/SL/Race, 2011 Recon Gold (includes rebound adjuster knob)
19	11.4018.009.046	Damper Internals Right Motion Control Sektor Gold/Recon Gold RL 26,27.5,29 80-150 Crown A1-B1
20	11.4018.009.047	Damper Internals Right Motion Control Sektor Gold/Recon Gold RL 26,27.5,29 80-150 Remote 10mm Cable Pull (13 PushLoc only) A2-B1
21	11.4018.009.048	Damper Internals Right Turnkey Sektor Gold/Recon Gold TK 26,27.5,29 80-150 Crown A1-B1
22	11.4018.009.049	Damper Internals Right Turnkey Sektor Gold/Recon Gold TK 26,27.5,29 80-150 Remote 10mm Cable Pull (13 PushLoc only) A2-B1
23	11.4015.353.000	Seal Head Assembly (Rebound Damper, Motion Control) - <2008 Reba/2006-2009 Revelation/2006-2010 Recon, 2011 Recon Gold, 2005-2010 Pike
24	11.4015.438.020	Top Cap/Preload Adjuster Knob, Aluminum - 2010 Recon XC/SL/Race, 2011 Recon Gold
25	11.4015.437.010	Coil/Shaft Assy, X-Soft Silver 120mm - 2010-2011 Tora/Recon XC Series 32mm (requires Top Cap Kit - Tora or Recon)
25	11.4015.437.020	Coil/Shaft Assy, Soft Yellow 120mm - 2010-2011 Tora/Recon XC Series 32mm (requires Top Cap Kit - Tora or Recon)
25	11.4015.437.030	Coil/Shaft Assy, Med Red 120mm - 2010-2011 Tora/Recon XC Series 32mm (requires Top Cap Kit - Tora or Recon)
25	11.4015.437.040	Coil/Shaft Assy, Firm Blue 120mm - 2010-2011 Tora/Recon XC Series 32mm (requires Top Cap Kit - Tora or Recon)
25	11.4015.437.050	Coil/Shaft Assy, X-Firm Black 120mm - 2010-2011 Tora/Recon XC Series 32mm (requires Top Cap Kit - Tora or Recon)
25	11.4015.437.060	Coil/Shaft Assy, X-Soft Silver 100mm - 2010-2011 Tora/Recon XC Series 32mm (requires Top Cap Kit - Tora or Recon)
25	11.4015.437.070	Coil/Shaft Assy, Soft Yellow 100mm - 2010-2011 Tora/Recon XC Series 32mm (requires Top Cap Kit - Tora or Recon)
25	11.4015.437.080	Coil/Shaft Assy, Med Red 100mm - 2010-2011 Tora/Recon XC Series 32mm (requires Top Cap Kit - Tora or Recon)
25	11.4015.437.090	Coil/Shaft Assy, Firm Blue 100mm - 2010-2011 Tora/Recon XC Series 32mm (requires Top Cap Kit - Tora or Recon)
25	11.4015.437.100	Coil/Shaft Assy, X-Firm Black 100mm - 2010-2011 Tora/Recon XC Series 32mm (requires Top Cap Kit - Tora or Recon)
25	11.4015.437.110	Coil/Shaft Assy, X-Soft Silver 80mm - 2010-2011 Tora/Recon XC Series 32mm (requires Top Cap Kit - Tora or Recon)
25	11.4015.437.120	Coil/Shaft Assy, Soft Yellow 80mm - 2010-2011 Tora/Recon XC Series 32mm (requires Top Cap Kit - Tora or Recon)
25	11.4015.437.130	Coil/Shaft Assy, Med Red 80mm - 2010-2011 Tora/Recon XC Series 32mm (requires Top Cap Kit - Tora or Recon)
25	11.4015.437.140	Coil/Shaft Assy, Firm Blue 80mm - 2010-2011 Tora/Recon XC Series 32mm (requires Top Cap Kit - Tora or Recon)
25	11.4015.437.150	Coil/Shaft Assy, X-Firm Black 80mm - 2010-2011 Tora/Recon XC Series 32mm (requires Top Cap Kit - Tora or Recon)



No.	Part Number	Description
26	11.4309.336.000	Coil Spring Isolator Kit Qty 3
27	11.4309.047.000	Pike/Recon U-Turn Spring Base Plate Assy
28	11.4018.012.001	Air Top Cap, Recon Gold/Sektor Black (32mm aluminum upper tubes only)
29	11.4015.444.010	Air Spring Assy, Solo Air - 2010 Recon XC/SL/Race, 2011 Recon Gold
30	11.4018.010.039	Spring Internals Left Recon Gold 2629 80 Solo Air (includes top cap, solo air spring, shaft bolt)
30	11.4018.010.040	Spring Internals Left Recon Gold 2629 100 Solo Air (includestop cap, solo air spring, shaft bolt)
30	11.4018.010.041	Spring Internals Left Recon Gold 2629 110 Solo Air (includestop cap, solo air spring, shaft bolt)
30	11.4018.010.042	Spring Internals Left Recon Gold 2629 120 Solo Air (includestop cap, solo air spring, shaft bolt)
31	00.4315.013.010	Maxle Lite 20mm, Black (32mm, Chassis) 2011
32	11.4311.722.020	Lever/Wedge Kit, Maxle Lite 20mm (32mm/35mm/40mm) 2011
33	00.4318.005.001	Maxle Lite 15mm Black (compatible with all RockShox 15mm TA) B1
ns	11.4318.004.000	Maxle Lite Lever Assembly B1
34	11.4315.010.010	Lever/Wedge Kit, Rear Maxle Lite 135/150mm (axle body)/MaxleLite 15mm (front) - Black Lever 2010-2013
35	11.4015.450.000	All-Travel Spacer Kit (not compatible with SID/Reba/Revelation Solo Air Spring)
36	00.4318.002.001	Remote Upgrade Kit - 2013 Recon Gold/Sektor RL - Motion Control - Includes Remote Compression Damper and PushLoc Remote Right MMX
37	11.4308.327.002	Schrader Valve Core Qty 2
38	11.4015.491.010	Hydraulic Hose Clamp, Lower Leg - 2011-2014 SID (100/120mm only)/2014 Reba/2011-2014 Revelation 15mm/2011-2014 Sektor 15mm
ns	11.4015.445.000	Service Kit - 2010 Recon, 2011 Recon Gold
ns	11.4018.016.000	Service Kit Full - Recon Gold Solo Air 2013 (includes solo air and damper seals and hardware)
ns	00.4315.032.030	AM Fork Service Kit, Basic (includes dust seals, foam rings, o-ring seals) - Recon Gold Coil (2012)
ns	00.4315.032.040	AM Fork Service Kit, Basic (includes dust seals, foam rings, o-ring seals) - Recon Gold Solo Air (2012)
ns	00.4315.032.290	AM Fork Service Kit, Basic (includes dust seals, foam rings, o-ring seals) - Recon Gold (2013-2014)
bulk	11.4015.259.000	Crush Washer 8mm, Qty 50
bulk	11.4015.260.000	Crush Washer Retainer, Qty 50
bulk	11.4310.695.000	Dust Seal 32mm Grey - SID/Revelation/Reba/Argyle/Sektor/Tora/Recon/XC32 QTY 20
bulk	11.4310.698.000	Foam Ring 32mm x 10mm - Revelation/Argyle/Sektor/Tora/Recon/XC32 Qty 20
bulk	11.4310.697.000	Foam Ring 32mm x 3.5mm - SID/Reba/Pike 2005-2006 Qty 20
ns	11.4318.003.269	Decal Kit Recon 26 Disc Silver/White Lower Leg A1-A3
ns	11.4318.003.270	Decal Kit Recon 26 Disc Silver/Black Lower Leg A1-A3
ns	11.4318.003.271	Decal Kit Recon 26 Disc Silver/Diffusion Black Lower Leg A1-A3
ns	11.4318.003.272	Decal Kit Recon 26 Rim Silver/White Lower Leg A1-A3
ns	11.4318.003.273	Decal Kit Recon 26 Rim Silver/Black Lower Leg A1-A3
ns	11.4318.003.274	Decal Kit Recon 26 Rim Silver/Diffusion Black Lower Leg A1-A3
ns	11.4318.003.278	Decal Kit Recon 29 Disc Silver/White Lower Leg A1-A3
ns	11.4318.003.279	Decal Kit Recon 29 Disc Silver/Black Lower Leg A1-A3
ns	11.4318.003.280	Decal Kit Recon 29 Disc Silver/Diffusion Black Lower Leg A1-A3
ns	11.4318.003.278	Decal Kit Recon 29 Disc Silver/White Lower Leg A1-A3
ns	11.4318.003.279	Decal Kit Recon 29 Disc Silver/Black Lower Leg A1-A3
ns	11.4318.003.280	Decal Kit Recon 29 Disc Silver/Diffusion Black Lower Leg A1-A3
ns	11.4309.073.000	Kit Disk Brake Cable Accessory
ns	00.4315.023.010	High-Pressure Fork/Shock Pump (300 psi Max) RockShox
ns	00.4315.022.010	Schrader Valve Removal Tool Rockshox



Note:

1. Full service kits include replaceable o-rings, glide rings, retaining rings, crush washers, crush washer retainers, lower leg bottom-out bumpers and shaft bolts/nuts. All air service kits include replacement schrader valve cores. Not all service parts are pictured. All basic service kits include the following replaceable wear items: o-rings, glide rings, dust seals, and foam rings.
2. Rebound damper and spring shaft kits include crush washers, crush washer retainers and shaft bolts, as well as upper tube retaining rings and rebound adjuster knob.
3. Damper side = rider's right. Spring side = rider's left.
4. All lower legs include bottom-out bumpers, bushings, foam rings and dust seals installed. Decals are not included with Lower Leg Assembly kits; decals offered separately.
5. Convert from Crown Adjust to Remote Adjust: Remote compression damper requires remote compression adjuster spool, and remote lever assembly.
6. 2014 Sektor Silver requires PopLoc or PopLoc Adjust remote; 17mm cable pull. Not compatible with 2013/2014 PushLoc (with push-push button).
7. Sektor Solo Air: All-travel spacer is located on Solo Air spring assembly.
8. Refer to the RockShox Technical Manual (www.sram.com) for oil volumes, air pressure settings and torque values.

SEKTOR SILVER (A1/2014)



No.	Part Number	Description
1a	11.4015.395.020	Lower Leg 26", 9mm QR, Black - 2010-2014 Revelation/2011-2014 Sektor (no decals)
1a	11.4015.395.010	Lower Leg 26", 9mm QR, White - 2010-2014 Revelation/2011-2014 Sektor (no decals)
1a	11.4018.006.096	Lower Leg Revelation/Sektor 26Q Diffusion Black
1b	11.4015.395.060	Lower Leg 26", Maxle Lite 15mm, Black 2010-2014 Revelation/2011-2014 Sektor/2012-2014 Recon Gold (no decals)
1b	11.4015.395.050	Lower Leg 26", Maxle Lite 15mm, White 2010-2014 Revelation/2011-2014 Sektor/2012-2014 Recon Gold (no decals)
1b	11.4015.395.070	Lower Leg 26", Maxle Lite 15mm, Diffusion Black 2010-2014 Revelation/2011-2014 Sektor/2012-2014 Recon Gold (no decals)
1c	11.4018.006.087	Lower Leg Sektor/Recon/XC32 2915 Disc Black
1c	11.4018.006.088	Lower Leg Sektor/Recon/XC32 2915 Disc White
1c	11.4018.006.089	Lower Leg Sektor/Recon/XC32 2915 Disc Diffusion Black
1d	11.4018.006.120	Lower Leg SEKTOR/RECON 27.5/650B, Maxle 15 Disc Black
1d	11.4018.006.121	Lower Leg SEKTOR/RECON 27.5/650B, Maxle 15 Disc White
1d	11.4018.006.122	Lower Leg SEKTOR/RECON 27.5/650B, Maxle 15 Disc Diffusion Black
2	11.4015.491.010	Hydraulic Hose Clamp, Lower Leg - 2011-2014 SID (100/120mm only)/2014 Reba/2011-2014 Revelation 15mm/2011-2014 Sektor 15mm
3	11.4018.008.238	CSU Sektor Silver Solo Air 26 Aluminum Taper Black A1
3	11.4018.008.239	CSU Sektor Silver Solo Air 26 Aluminum Taper White A1
3	11.4018.008.240	CSU Sektor Silver Solo Air 26 Aluminum Taper Diffusion Black A1
3	11.4018.008.241	CSU Sektor Silver Solo Air 27.5 Aluminum Taper Black A1
3	11.4018.008.242	CSU Sektor Silver Solo Air 27.5 Aluminum Taper White A1
3	11.4018.008.243	CSU Sektor Silver Solo Air 27.5 Aluminum Taper Diffusion Black A1
4	11.4310.290.000	Dust Seal/Foam Ring Grey 32mm Seal, 10mm Foam Ring-Revelation/Argyle/Sektor/Tora/Recon/XC32
ns	11.4015.405.010	Lower Leg Bushing Kit - 2010-2011 Revelation/2011 Sektor (Upper 15mm x Lower 30mm)
5	11.4310.465.000	Fork Shaft Bolt Kit
6	11.4018.033.002	Rebound Adjuster 29 - XC30/ 30 Gold A1
7	11.4308.848.000	PopLoc Lever Left (17mm cable pull, not compatible with 2013+ Motion Control)
7	11.4309.207.000	PopLoc Lever Right (17mm cable pull, not compatible with 2013+ Motion Control)
8	11.4308.849.000	PopLoc Adjust Lever Left (17mm cable pull, not compatible with 2013+ Motion Control)
8	11.4309.208.000	PopLoc Adjust Lever Right (17mm cable pull, not compatible with 2013+ Motion Control)
9	11.4018.011.001	Remote Spool/Cable Clamp Kit XC32/Recon Silver (17mm Pull Damper, PopLoc/pre-2013 PushLoc only) 2013-2014
10	11.4015.461.050	Compression Knob Kit, TurnKey - Recon/Sektor/30 Gold/XC32/XC30 A1-A3 (2012-2014)
11	11.4018.009.038	Damper Internals Right Turnkey SKTRS/ XC32 TK 27.5 80-120 Crown A1-A3
12	11.4018.009.039	Damper Internals Right Turnkey SKTRS/ XC32 TK 27.5 80-120 Remote 17mm Cable Pull (PopLoc/original PushLoc only) A1-A3
13	11.4018.010.104	Spring Internals Left Solo Air Sektor Silver 26,27.5,29 130 (includes air top cap, solo air spring and shaft bolt) A1
13	11.4018.010.105	Spring Internals Left Solo Air Sektor Silver 26,27.5,29 140 (includes air top cap, solo air spring and shaft bolt) A1
14	11.4018.012.000	Air Top Cap, XC32/Recon Silver (32mm steel upper tubes only)
15	11.4018.034.000	Travel Spacers Solo Air (used to change travel) - Recon/30 Gold/XC32/XC30
16	00.4318.005.001	Maxle Lite 15mm Black (compatible with all RockShox 15mm TA) B1
17	11.4318.004.000	Maxle Lite Lever Assembly B1
18	00.4318.002.007	Remote Upgrade Kit - Sektor Silver/ XC32 - TurnKey - Includes Remote Compression Damper and PopLoc Remote Right
19	11.4308.327.002	Schrader Valve Core Qty 2
ns	00.4315.032.470	AM Fork Service Kit, Basic (includes dust seals, foam rings, o-ring seals) - Sektor Silver Solo Air A1
ns	11.4018.036.000	Service Kit Full - Sektor Silver Solo Air (includes solo air and damper seals and hardware) A1
ns	11.4318.003.281	Decal Kit Sektor 26 Silver/White Lower Leg A1-B1
ns	11.4318.003.282	Decal Kit Sektor 26 Silver/Black Lower Leg A1-B1
ns	11.4318.003.283	Decal Kit Sektor 26 Silver/Diffusion Black Lower Leg A1-B1
ns	11.4318.003.284	Decal Kit Sektor 27.5 Silver/White Lower Leg A1-B1
ns	11.4318.003.285	Decal Kit Sektor 27.5 Silver/Black Lower Leg A1-B1
ns	11.4318.003.286	Decal Kit Sektor 27.5 Silver/Diffusion Black Lower Leg A1-B1
ns	11.4318.003.287	Decal Kit Sektor 29 Silver/White Lower Leg A1-B1
ns	11.4318.003.288	Decal Kit Sektor 29 Silver/Black Lower Leg A1-B1
ns	11.4318.003.289	Decal Kit Sektor 29 Silver/Diffusion Black Lower Leg A1-B1
bulk	11.4015.259.000	Crush Washer 8mm, Qty 50
bulk	11.4015.260.000	Crush Washer Retainer, Qty 50
bulk	11.4310.695.000	Dust Seal 32mm Grey - SID/Revelation/Reba/Argyle/Sektor/Tora/Recon/XC32 QTY 20
bulk	11.4310.698.000	Foam Ring 32mm x 10mm - Revelation/Argyle/Sektor/Tora/Recon/XC32 Qty 20
ns	11.4309.073.000	Kit Disk Brake Cable Accessory
ns	00.4315.023.010	High-Pressure Fork/Shock Pump (300 psi Max) RockShox
ns	00.4315.022.010	Schrader Valve Removal Tool Rockshox

SEKTOR GOLD (A1-A3/2011-2014)

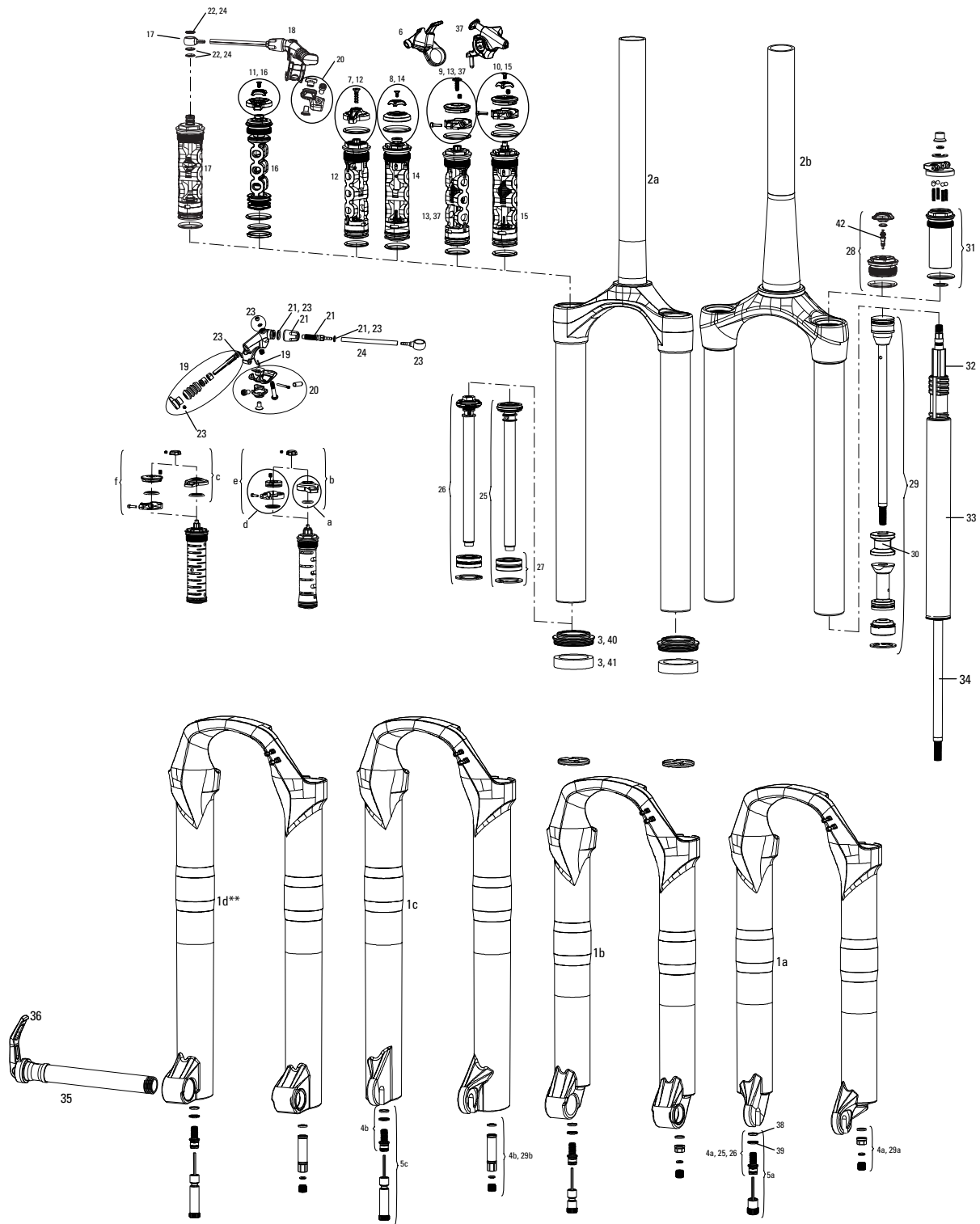


No.	Part Number	Description
1a	11.4015.395.020	Lower Leg 26", 9mm QR, Black - 2010-2014 Revelation/2011-2014 Sektor (no decals)
1a	11.4015.395.010	Lower Leg 26", 9mm QR, White - 2010-2014 Revelation/2011-2014 Sektor (no decals)
1a	11.4018.006.096	Lower Leg Revelation/Sektor 26Q Diffusion Black
1b	11.4015.395.040	Lower Leg 26", Maxle Lite 20mm, Black - 2010-2014 Revelation/2011-2014 Sektor (no decals)
1b	11.4015.395.030	Lower Leg 26", Maxle Lite 20mm, White - 2010-2014 Revelation/2011-2014 Sektor (no decals)
1b	11.4018.006.097	Lower Leg Revelation/Sektor 2620 Disc Diffusion Black
1c	11.4015.395.060	Lower Leg 26", Maxle Lite 15mm, Black 2010-2014 Revelation/2011-2014 Sektor/2012-2014 Recon Gold (no decals)
1c	11.4015.395.050	Lower Leg 26", Maxle Lite 15mm, White 2010-2014 Revelation/2011-2014 Sektor/2012-2014 Recon Gold (no decals)
1c	11.4015.395.070	Lower Leg 26", Maxle Lite 15mm, Diffusion Black 2010-2014 Revelation/2011-2014 Sektor/2012-2014 Recon Gold (no decals)
1d	11.4018.006.084	Lower Leg Sektor/Recon 2029 Disc Black
1d	11.4018.006.085	Lower Leg Sektor/Recon 2029 Disc White
1d	11.4018.006.086	Lower Leg Sektor/Recon 2029 Disc Diffusion Black
1e	11.4018.006.087	Lower Leg Sektor/Recon/XC32 2915 Disc Black
1e	11.4018.006.088	Lower Leg Sektor/Recon/XC32 2915 Disc White
1e	11.4018.006.089	Lower Leg Sektor/Recon/XC32 2915 Disc Diffusion Black
ns	11.4018.006.120	Lower Leg SEKTOR/RECON 27.5/650B, Maxle 15 Disc Black
ns	11.4018.006.121	Lower Leg SEKTOR/RECON 27.5/650B, Maxle 15 Disc White
ns	11.4018.006.122	Lower Leg SEKTOR/RECON 27.5/650B, Maxle 15 Disc Diffusion Black
2	11.4015.491.010	Hydraulic Hose Clamp, Lower Leg - 2011-2014 SID (100/120mm only)/2014 Reba/2011-2014 Revelation 15mm/2011-2014 Sektor 15mm
3a	11.4015.498.030	CSU, U-Turn Coil 140mm, Aluminum Steerer 1 1/8" - Sektor
3a	11.4015.498.040	CSU, U-Turn Coil 150mm, Aluminum Steerer 1 1/8" - Sektor
3a	11.4015.498.070	CSU, Solo Air, Aluminum Steerer 1 1/8" Sektor/2012 Recon Gold
3a	11.4018.008.111	CSU Sektor Solo Air 26 Aluminum 11/8 Diffusion Black
3a	11.4018.008.112	CSU Sektor Solo Air 26 Aluminum 11/8 Diffusion Black
3a	11.4018.008.113	CSU Sektor Coil 26 Aluminum 11/8 Black
3a	11.4018.008.114	CSU Sektor Coil 26 Aluminum 11/8 White
3a	11.4018.008.115	CSU Sektor Coil 26 Aluminum 11/8 Diffusion Black
3a	11.4018.008.116	CSU Sektor Dual Position Coil 26 Aluminum 11/8 Black
3a	11.4018.008.117	CSU Sektor Dual Position Coil 26 Aluminum 11/8 White
3a	11.4018.008.118	CSU Sektor Dual Position Coil 26 Aluminum 11/8 Diffusion Black
3b	11.4015.498.050	CSU, U-Turn Coil 140mm, Aluminum Steerer Tapered 1.5"-1 1/8" Sektor
3b	11.4015.498.060	CSU, U-Turn Coil 150mm, Aluminum Steerer Tapered 1.5"-1 1/8" Sektor
3b	11.4018.008.105	CSU Recon Gold/Sektor Coil/Solo Air 2615 Aluminum Taper White
3b	11.4018.008.106	CSU Recon Gold/Sektor Coil/Solo Air 2615 Aluminum Taper Black
3b	11.4018.008.107	CSU Recon Gold/Sektor Coil/Solo Air 2615 Aluminum Taper Diffusion Black
3b	11.4018.008.197	CSU Sektor/Recon Solo Air 27.5/650B Taper Black
3b	11.4018.008.198	CSU Sektor/Recon Solo Air 27.5/650B Taper White
3b	11.4018.008.199	CSU Sektor/Recon Solo Air 27.5/650B Taper Diffusion Black
3b	11.4018.008.108	CSU Sektor Solo Air 29 51 Off-Set Aluminum Taper Black
3b	11.4018.008.109	CSU Sektor Solo Air 29 51 Off-Set Aluminum Taper White
3b	11.4018.008.110	CSU Sektor Solo Air 29 51 Off-Set Aluminum Taper Diffusion Black
3b	11.4018.008.119	CSU Sektor Dual Position Coil 26 Aluminum Taper White
3b	11.4018.008.120	CSU Sektor Coil 26 Aluminum Taper Black
3b	11.4018.008.121	CSU Sektor Coil 26 Aluminum Taper White
3b	11.4018.008.122	CSU Sektor Coil 26 Aluminum Taper Diffusion Black
3b	11.4018.008.123	CSU Sektor Dual Position Coil 26 Aluminum Taper Black
3b	11.4018.008.124	CSU Sektor Dual Position Coil 26 Aluminum Taper Diffusion Black
3b	11.4018.008.125	CSU Sektor Solo Air 29 46 Off-Set Aluminum Taper Black
3b	11.4018.008.126	CSU Sektor Solo Air 29 46 Off-Set Aluminum Taper White
3b	11.4018.008.127	CSU Sektor Solo Air 29 46 Off-Set Aluminum Taper Diffusion Black
4	11.4310.290.000	Dust Seal/Foam Ring Grey 32mm Seal, 10mm Foam Ring-Revelation/Argyle/Sektor/Tora/Recon/XC32
5	11.4310.465.000	Fork Shaft Bolt Kit
6a	11.4015.404.010	Rebound Adjuster Knob/Bolt Kit, Aluminum Red Long (use with Maxle lower leg)
6b	11.4015.318.000	Rebound Damper Adjuster Knob Long/Bolt (Aluminum Red) - Tora/Recon/Reba/Revelation 27/29"
7	11.4308.848.000	PopLoc Lever Left (17mm cable pull, not compatible with 2013+ Motion Control)
7	11.4309.207.000	PopLoc Lever Right (17mm cable pull, not compatible with 2013+ Motion Control)
ns	11.4308.849.000	PopLoc Adjust Lever Left (17mm cable pull, not compatible with 2013+ Motion Control)
ns	11.4309.208.000	PopLoc Adjust Lever Right (17mm cable pull, not compatible with 2013+ Motion Control)
8	00.4318.002.005	Remote Upgrade Kit - 2013 PushLoc Remote Kit Left MMX (includes: PushLoc Left, MatchMaker knuckle, cable & housing)
8	00.4318.002.006	Remote Upgrade Kit - 2013 PushLoc Remote Kit Right MMX (includes: PushLoc Right, MatchMaker knuckle, cable & housing)
9	11.4015.461.010	Compression Damper Adjuster Knob Kit (Motion Control Crown Adjust) w/ screw - Reba RL (2012-2014) /Recon (2010-2014)/ Recon, Sektor Gold (2011-2014)
10	11.4015.461.020	Compression Damper Remote Spool/Clamp Kit (Motion Control Remote) w/screw Reba RL (2012-2014) /Recon (2010-2014)/ Recon, Sektor Gold (2011-2014)
11	11.4018.011.002	Remote Spool/Cable Clamp Kit Recon Gold TKRL/Sektor TKRL/Reba RL (10mm Pull 2013+ Damper and PushLoc only) 2013-2014
12	11.4015.461.050	Compression Knob Kit, TurnKey - Recon/Sektor/30 Gold/XC32/XC30 A1-A3 (2012-2014)
13	11.4015.461.040	Compression Damper Remote Spool/Clamp Kit (TurnKey Remote) -2010 Recon XC, 2011 Recon Gold, 2011 Sektor w/ screw
14a	11.4018.009.050	Damper Internals Right Motion Control Sektor RL 26 Coil 130 Crown Adjust A1-B1
14a	11.4018.009.052	Damper Internals Right Motion Control Sektor RL 26 Coil 140 Crown Adjust A1-B1
14a	11.4018.009.054	Damper Internals Right Motion Control Sektor RL 26 Coil 150 Crown Adjust A1-B1
14b	11.4018.009.046	Damper Internals Right Motion Control Sektor Gold/Recon Gold RL Solo Air 26,27.5,29 80-150 Crown A1-B1
15a	11.4018.009.051	Damper Internals Right Motion Control Sektor RL 26 Coil 130 Remote 10mm Cable Pull (13 PushLoc only) A2-B1
15a	11.4018.009.053	Damper Internals Right Motion Control Sektor RL 26 Coil 140 Remote 10mm Cable Pull (13 PushLoc only) A2-B1
15a	11.4018.009.055	Damper Internals Right Motion Control Sektor RL 26 Coil 150 Remote 10mm Cable Pull (13 PushLoc only) A2-B1
15b	11.4018.009.047	Damper Internals Right Motion Control Sektor Gold/Recon Gold RL Solo Air 26,27.5,29 80-150 Remote 10mm Cable Pull (13 PushLoc only) A2-B1
16	11.4018.009.056	Damper Internals Right Turnkey Sektor TK 26 Coil 130 Crown Adjust A1-B1
16	11.4018.009.058	Damper Internals Right Turnkey Sektor TK 26 Coil 140 Crown Adjust A1-B1
16	11.4018.009.060	Damper Internals Right Turnkey Sektor TK 26 Coil 150 Crown Adjust A1-B1
17	11.4018.009.057	Damper Internals Right Turnkey Sektor TK 26 Coil 130 Remote 10mm Cable Pull (13 PushLoc only) A2-B1
17	11.4018.009.059	Damper Internals Right Turnkey Sektor TK 26 Coil 140 Remote 10mm Cable Pull (13 PushLoc only) A2-B1
17	11.4018.009.061	Damper Internals Right Turnkey Sektor TK 26 Coil 150 Remote 10mm Cable Pull (13 PushLoc only) A2-B1
ns	11.4018.009.048	Damper Internals Right Turnkey Sektor Gold/Recon Gold TK Solo Air 26,27.5,29 80-150 Crown A1-B1
ns	11.4018.009.049	Damper Internals Right Turnkey Sektor Gold/Recon Gold TK Solo Air 26,27.5,29 80-150 Remote 10mm Cable Pull (13 PushLoc only) A2-B1

SEKTOR GOLD (A1-A3/2011-2014)



No.	Part Number	Description
18	11.4015.438.030	Top Cap/Preload Adjuster Knob, Aluminum - 2011 Sektor (use with Coil Spring U-Turn/Shaft Assy)
19	11.4015.499.010	Coil Spring/Shaft Assy, X-Soft Silver 130mm - 2011 Sektor (requires Top Cap Kit - Sektor)
19	11.4015.499.020	Coil Spring/Shaft Assy, Soft Yellow 130mm - 2011 Sektor (requires Top Cap Kit - Sektor)
19	11.4015.499.030	Coil Spring/Shaft Assy, Medium Red 130mm - 2011 Sektor (requires Top Cap Kit - Sektor)
19	11.4015.499.040	Coil Spring/Shaft Assy, Firm Blue 130mm - 2011 Sektor (requires Top Cap Kit - Sektor)
19	11.4015.499.050	Coil Spring/Shaft Assy, X-Firm Black 130mm - 2011 Sektor (requires Top Cap Kit - Sektor)
19	11.4015.499.060	Coil Spring/Shaft Assy, X-Soft Silver 140mm - 2011 Sektor (requires Top Cap Kit - Sektor)
19	11.4015.499.070	Coil Spring/Shaft Assy, Soft Yellow 140mm - 2011 Sektor (requires Top Cap Kit - Sektor)
19	11.4015.499.080	Coil Spring/Shaft Assy, Medium Red 140mm - 2011 Sektor (requires Top Cap Kit - Sektor)
19	11.4015.499.090	Coil Spring/Shaft Assy, Firm Blue 140mm - 2011 Sektor (requires Top Cap Kit - Sektor)
19	11.4015.499.100	Coil Spring/Shaft Assy, X-Firm Black 140mm - 2011 Sektor (requires Top Cap Kit - Sektor)
19	11.4015.499.110	Coil Spring/Shaft Assy, X-Soft Silver 150mm - 2011 Sektor (requires Top Cap Kit - Sektor)
19	11.4015.499.120	Coil Spring/Shaft Assy, Soft Yellow 150mm - 2011 Sektor (requires Top Cap Kit - Sektor)
19	11.4015.499.130	Coil Spring/Shaft Assy, Medium Red 150mm - 2011 Sektor (requires Top Cap Kit - Sektor)
19	11.4015.499.140	Coil Spring/Shaft Assy, Firm Blue 150mm - 2011 Sektor (requires Top Cap Kit - Sektor)
19	11.4015.499.150	Coil Spring/Shaft Assy, X-Firm Black 150mm - 2011 Sektor (requires Top Cap Kit - Sektor)
20	11.4015.540.010	Coil Spring Dual Position Coil/Shaft/Top Cap/Adjuster Knob Assy, X-Soft Silver 140mm - 2012 Sektor
20	11.4015.540.020	Coil Spring Dual Position Coil/Shaft/Top Cap/Adjuster Knob Assy, Soft Yellow 140mm - 2012 Sektor
20	11.4015.540.030	Coil Spring Dual Position Coil/Shaft/Top Cap/Adjuster Knob Assy, Medium Red 140mm - 2012 Sektor
20	11.4015.540.040	Coil Spring Dual Position Coil/Shaft/Top Cap/Adjuster Knob Assy, Firm Blue 140mm - 2012 Sektor
20	11.4015.540.050	Coil Spring Dual Position Coil/Shaft/Top Cap/Adjuster Knob Assy, X-Firm Black 140mm - 2012 Sektor
20	11.4015.540.060	Coil Spring Dual Position Coil/Shaft/Top Cap/Adjuster Knob Assy, X-Soft Silver 150mm - 2012 Sektor
20	11.4015.540.070	Coil Spring Dual Position Coil/Shaft/Top Cap/Adjuster Knob Assy, Soft Yellow 150mm - 2012 Sektor
20	11.4015.540.080	Coil Spring Dual Position Coil/Shaft/Top Cap/Adjuster Knob Assy, Medium Red 150mm - 2012 Sektor
20	11.4015.540.090	Coil Spring Dual Position Coil/Shaft/Top Cap/Adjuster Knob Assy, Firm Blue 150mm - 2012 Sektor
20	11.4015.540.100	Coil Spring Dual Position Coil/Shaft/Top Cap/Adjuster Knob Assy, X-Firm Black 150mm - 2012 Sektor
21	11.4015.541.010	Dual Position Coil Adjuster Knob - 2012 Sektor
22	11.4018.012.001	Air Top Cap, Recon Gold/Sektor Black (32mm aluminum upper tubes only)
23	11.4018.010.043	Spring Internals Left Solo Air Sektor 26,27,5,29 130 (includes air top cap, solo air spring and shaft bolt)
23	11.4018.010.044	Spring Internals Left Solo Air Sektor 26,27,5,29 140 (includes air top cap, solo air spring and shaft bolt)
23	11.4018.010.045	Spring Internals Left Solo Air Sektor 26,27,5,29 150 (includes air top cap, solo air spring and shaft bolt)
24	11.4015.450.000	All-Travel Spacer Kit (not compatible with SID/Reba/Revelation Solo Air Spring)
25	00.4318.005.001	Maxle Lite 15mm Black (compatible with all RockShox 15mm TA) B1
ns	11.4318.004.000	Maxle Lite Lever Assembly B1
26	11.4315.010.010	Lever/Wedge Kit, Rear Maxle Lite 135/150mm (axle body)/MaxleLite 15mm (front) - Black Lever 2010-2013
27	00.4315.013.010	Maxle Lite 20mm, Black (32mm, Chassis) 2011
28	11.4311.722.020	Lever/Wedge Kit, Maxle Lite 20mm (32mm/35mm/40mm) 2011
29	00.4318.002.001	Remote Upgrade Kit - 2013 Recon Gold/Sektor RL - Motion Control - Includes Remote Compression Damper and PushLoc Remote Right MMX
30	11.4308.327.002	Schrader Valve Core Qty 2
31	11.4309.336.000	Coil Spring Isolator Kit Qty 3
ns	11.4015.502.000	Service Kit - Sektor/Argyle RCT
ns	00.4315.032.050	AM Fork Service Kit, Basic (includes dust seals, foam rings, o-ring seals) - Sektor Turnkey Dual Position Coil (2012)
ns	00.4315.032.060	AM Fork Service Kit, Basic (includes dust seals, foam rings, o-ring seals) - Sektor RL Dual Position Coil (2012-2014)
ns	00.4315.032.070	AM Fork Service Kit, Basic (includes dust seals, foam rings, o-ring seals) - Sektor RL Solo Air (2012-2014)
ns	00.4315.032.300	AM Fork Service Kit, Basic (includes dust seals, foam rings, o-ring seals) - Sektor Turnkey Solo Air (2013-2014)
ns	00.4315.032.310	AM Fork Service Kit, Basic (includes dust seals, foam rings, o-ring seals) - Sektor Motion Control SoloAir (2013-2014)
ns	11.4018.017.000	Service Kit Full - Sektor Solo Air 2013 (includes solo air and damper seals and hardware)
ns	11.4318.003.281	Decal Kit Sektor 26 Silver/White Lower Leg A1-B1
ns	11.4318.003.282	Decal Kit Sektor 26 Silver/Black Lower Leg A1-B1
ns	11.4318.003.283	Decal Kit Sektor 26 Silver/Diffusion Black Lower Leg A1-B1
ns	11.4318.003.284	Decal Kit Sektor 27.5 Silver/White Lower Leg A1-B1
ns	11.4318.003.285	Decal Kit Sektor 27.5 Silver/Black Lower Leg A1-B1
ns	11.4318.003.286	Decal Kit Sektor 27.5 Silver/Diffusion Black Lower Leg A1-B1
ns	11.4318.003.287	Decal Kit Sektor 29 Silver/White Lower Leg A1-B1
ns	11.4318.003.288	Decal Kit Sektor 29 Silver/Black Lower Leg A1-B1
ns	11.4318.003.289	Decal Kit Sektor 29 Silver/Diffusion Black Lower Leg A1-B1
bulk	11.4015.259.000	Crush Washer 8mm, Qty 50
bulk	11.4015.260.000	Crush Washer Retainer, Qty 50
bulk	11.4310.695.000	Dust Seal 32mm Grey - SID/Revelation/Reba/Argyle/Sektor/Tora/Recon/XC32 QTY 20
bulk	11.4310.698.000	Foam Ring 32mm x 10mm - Revelation/Argyle/Sektor/Tora/Recon/XC32 Qty 20
ns	11.4309.073.000	Kit Disk Brake Cable Accessory
ns	00.4315.023.010	High-Pressure Fork/Shock Pump (300 psi Max) RockShox
ns	00.4315.022.010	Schrader Valve Removal Tool Rockshox



Notes:

IMPORTANT - 2005-2008 Reba forks: Do not attempt to increase travel from 115mm to 120mm. 2009-2011 Reba CSU, lower leg, spring assembly and damper assemblies are NOT compatible with 2005-2008 Reba forks. 2012-2013 Reba (also referred to as SIDB) chassis and internals are not compatible with 2005-2011 Reba forks. 2014 Reba CSU and Solo Air internals are not compatible with any 2005-2012 Reba.

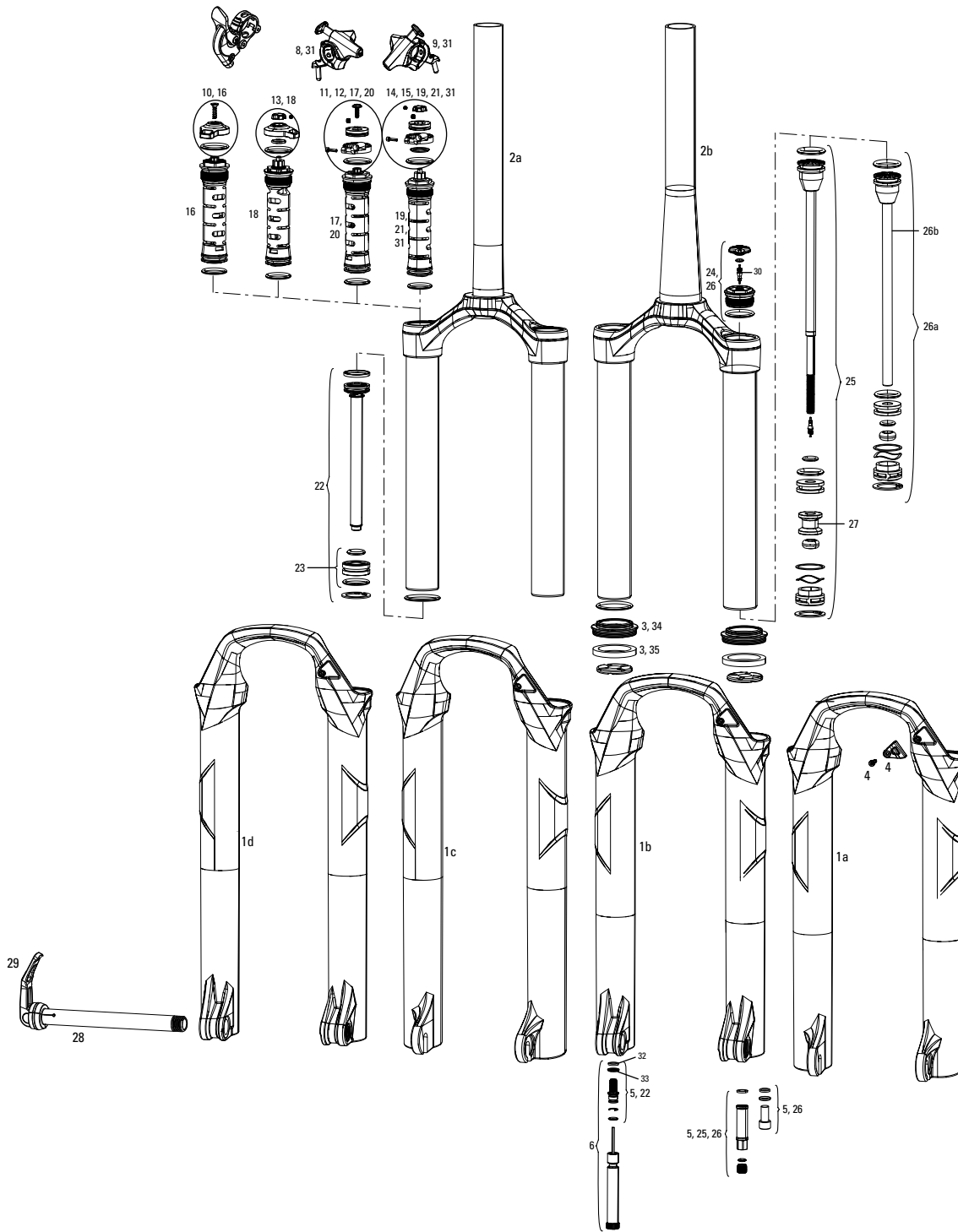
1. Full service kits include replaceable o-rings, glide rings, retaining rings, crush washers, crush washer retainers, lower leg bottom-out bumpers and shaft bolts/nuts. All air service kits include replacement schrader valve cores. Not all service parts are pictured. All basic service kits include the following replaceable wear items: o-rings, glide rings, dust seals, and foam rings.
2. Rebound damper and spring shaft kits include crush washers, crush washer retainers and shaft bolts, as well as upper tube retaining rings and rebound adjuster knob.
3. Damper side = rider's right. Spring side = rider's left.
4. Convert from Crown Adjust to Remote Adjust: Remote compression damper requires remote compression adjuster spool, cable clamp and remote lever assembly.
5. Reba lower legs do not include decals. All lower legs include bottom-out bumpers, bushings, foam rings and dust seals installed.
6. Reba 29" requires 29"-specific parts. See part kit description for 29" identification. Verify maximum travel settings.
7. Refer to the RockShox Technical Manual (www.sram.com) for oil volumes, air pressure settings and torque values.



No.	Part Number	Description
1a	11.4015.310.000	2009-2011 Reba, 2010 Tora/Recon XC/SL/Race, 2011 Recon (Silver/Gold) Lower Leg 26" White Disc 80mm-120mm
1a	11.4015.310.020	2009-2011 Reba, 2010 Tora/Recon XC/SL/Race, 2011 Recon (Silver/Gold) Lower Leg 26" Black Disc 80mm-120mm
ns	11.4015.310.120	2010 Tora/Recon (XC/SL/Race), 2011 Recon (Silver/Gold) LowerLeg 26" White Rim/Disc 80mm-120mm
ns	11.4015.310.140	2010 Tora/Recon (XC/SL/Race), 2011 Recon (Silver/Gold) LowerLeg 26" Black Rim/Disc 80mm-120mm
1b	11.4015.310.060	2009-2011 Reba, 2010 Tora/Recon XC/SL/Race, 2011 Recon (Silver/Gold) Lower Leg 26" 20mm Maxle White Disc 80mm-120mm
1b	11.4015.310.080	2009-2011 Reba, 2010 Tora/Recon XC/SL/Race, 2011 Recon (Silver/Gold) Lower Leg 26" 20mm Maxle Black Disc 80mm-120mm
1c	11.4015.310.030	2009-2011 Reba, 2010 Tora XC/SL, 2011 Recon Silver/Gold Lower Leg 29" White Disc 80mm-120mm
1c	11.4015.310.050	2009-2011 Reba, 2010 Tora XC/SL, 2011 Recon Silver/Gold Lower Leg 29" Black Disc 80mm-120mm
1d	11.4015.310.090	2009-2011 Reba, 2010 Tora XC/SL, 2011 Recon Silver/Gold Lower Leg 29" 20mm Maxle White Disc 80mm-120mm
1d	11.4015.310.110	2009-2011 Reba, 2010 Tora XC/SL, 2011 Recon Silver/Gold Lower Leg 29" 20mm Maxle Black Disc 80mm-120mm
2a	11.4015.432.010	CSU, Dual Air, 26", White, 80mm-120mm - 2009-2011 Reba (1 1/8")
2a	11.4015.432.020	CSU, Dual Air, 26", Black, 80mm-120mm - 2009-2011 Reba (1 1/8")
2a	11.4015.432.030	CSU, Air U-Turn, 26", White, 80mm-120mm - 2009-2011 Reba (1 1/8")
2a	11.4015.432.040	CSU, Air U-Turn, 26", Black, 80mm-120mm - 2009-2011 Reba (1 1/8")
2a	11.4015.432.050	CSU, Dual Air, 29", White, 80mm-120mm - 2009-2011 Reba (1 1/8")
2a	11.4015.432.060	CSU, Dual Air, 29", Black, 80mm-120mm - 2009-2011 Reba (1 1/8")
2a	11.4015.432.070	CSU, Air U-Turn, 29", White, 80mm-120mm - 2009-2011 Reba (1 1/8")
2a	11.4015.432.080	CSU, Air U-Turn, 29", Black, 80mm-120mm - 2009-2011 Reba (1 1/8")
2a	11.4015.432.090	CSU, Air Dual Air, 29" G2/51mm OS, White, 80mm-120mm - 2009-2011 Reba (1 1/8")
2a	11.4015.311.040	2009-2011 Reba Dual Air CSU 29" G2/51mm 80mm-120mm
2b	11.4015.432.100	CSU Tapered, Dual Air, 26", White, 80mm-120mm - 2009-2011 Reba (1.5" - 1 1/8")
2b	11.4015.432.110	CSU Tapered, Dual Air, 26", Black, 80mm-120mm - 2009-2011 Reba (1.5" - 1 1/8")
2b	11.4015.432.140	CSU Tapered, Air U-Turn, 26", White, 80mm-120mm - 2009-2011 Reba (1.5" - 1 1/8")
2b	11.4015.432.150	CSU Tapered, Air U-Turn, 26", Black, 80mm-120mm - 2009-2011 Reba (1.5" - 1 1/8")
2b	11.4015.432.120	CSU Tapered, Dual Air, 29", White, 80mm-120mm - 2009-2011 Reba (1.5" - 1 1/8")
2b	11.4015.432.130	CSU Tapered, Dual Air, 29", Black, 80mm-120mm - 2009-2011 Reba (1.5" - 1 1/8")
2b	11.4015.432.160	CSU Tapered, Air U-Turn, 29", White, 80mm-120mm - 2009-2011 Reba (1.5" - 1 1/8")
2b	11.4015.432.170	CSU Tapered, Air U-Turn, 29", Black, 80mm-120mm - 2009-2011 Reba (1.5" - 1 1/8")
2b	11.4015.432.190	CSU Tapered, Dual Air, 29", White, 140mm - 2011 Reba (1.5" - 1 1/8")
2b	11.4015.432.200	CSU Tapered, Dual Air, 29", Black, 140mm - 2011 Reba (1.5" - 1 1/8")
3	11.4310.290.000	Dust Seal/Foam Ring Grey 32mm Seal, 10mm Foam Ring-Revelation/Argyle/Sektor/Tora/Recon/XC32
ns	11.4308.851.000	Reba/Pike/Tora/Recon/Revelation Bushing Kit
4a	11.4015.292.000	Shaft Fastener Kit (rebound shaft bolt/dual air nut) - 2008-2012 SID/2009-2011 Reba 29"/2012 Reba
4b	11.4015.312.000	2009-2011 Reba 29" Shaft Fastener Kit (rebshaft bolt/dual air nut long)
5a	11.4310.645.000	Rebound Adjuster Knob/Bolt Kit, Aluminum Red, Short
5b	11.4015.404.010	Rebound Adjuster Knob/Bolt Kit, Aluminum Red Long (use with Maxle lower leg)
5c	11.4015.318.000	Rebound Damper Adjuster Knob Long/Bolt (Aluminum Red) - Tora/Recon/Reba/Revelation 27/29"
6	11.4308.848.000	PopLoc Lever Left (17mm cable pull, not compatible with 2013+ Motion Control)
6	11.4309.207.000	PopLoc Lever Right (17mm cable pull, not compatible with 2013+ Motion Control)
ns	11.4308.849.000	PopLoc Adjust Lever Left (17mm cable pull, not compatible with 2013+ Motion Control)
ns	11.4309.208.000	PopLoc Adjust Lever Right (17mm cable pull, not compatible with 2013+ Motion Control)
a	11.4015.314.000	Compression Knob (set screw)/Internal Floodgate Cap Aluminum, Motion Control - Reba Revelation (2009-2011)
b	11.4015.294.000	Compression Knob (set screw)/External Floodgate Adjuster Knob Alum, Motion Control - SID RLT (2009-2011)/Reba RLT (2011-2012)/Revelation RLT (2011-2012)
c	11.4015.294.010	Compression Knob (set screw)/Floodgate Adjuster Knob Carbon,Black Box Motion Control - SID Reba (2009-2011)
d	11.4015.314.010	Compression Remote Spool 17mm (set screw)/Internal FloodgateCap/Cable Clamp Remote Aluminum, Motion Control - Reba Revelation (2009-2011)
e	11.4015.295.000	Compression Remote Spool 17mm (set screw)/External FloodgateAdj Knob/Cable Clamp, Motion Control-SIDRLT 09-11/RebaRLT 1 1-12/RevelationRLT 11-12 (not compatible w/13 PushLoc 10mm)
f	11.4015.295.010	Compression Remote Spool 17mm (set screw)/Floodgate AdjusterKnob/Cable Clamp, Black Box Motion Control - SID Reba 09-11 (not compatible with 2013 PushLoc 10mm)
7	11.4015.547.020	Compression Knob Kit, Motion Control DNA - SID RL/Revelation RL A1-A3 (2012-2014)
8	11.4015.547.030	Compression Knob Kit, Motion Control DNA - SID RLT/Revelation RLT A1-A3 (2012-2014)
9	11.4015.547.040	Remote Spool Kit 17mm (includes cable clamp), Motion ControlDNA - SID RL/Revelation RL A1-A3 (2012-2014)
10	11.4015.547.050	Remote Spool Kit 17mm (includes cable clamp), Motion ControlDNA - SID RLT/Revelation RLT A1-A3 (2012-2014)
11	11.4015.547.100	Knob Kit, Compression Damper, RCT3 - SID/REVELATION A1-A3 (2012-2014)
12	11.4015.544.090	Compression Damper, Motion Control DNA, Crown Adjust - Revelation RL (includes compression knob) A1-A3 (2012-2014)
13	11.4015.544.100	Compression Damper, Motion Control DNA, Remote Adjust 17mm - Revelation RL (includes remote spool and cable clamp) A1-A3 (2012-2014)
14	11.4015.544.110	Compression Damper, Motion Control DNA, Crown Adjust - Revelation RLT (includes compression knob) A1-A3 (2012-2014)
15	11.4015.544.120	Compression Damper, Motion Control DNA, Remote Adjust 17mm - Revelation RLT (includes remote spool and cable clamp) A1-A3 (2012-2014)
16	11.4015.544.130	Compression Damper, Motion Control DNA, Crown Adjust - Revelation RCT3 (includes compression knobs) A1-A3 (2012-2013)
17	11.4015.544.200	Compression Damper, Motion Control XX DNA, Remote - Revelation/SID 80/100 XXWC 11/8" (includes banjo retainingring) A1-A3 (2012-2014)
ns	11.4015.544.290	Compression Damper, Motion Control DNA, Crown Adjust - Revelation RCT3 Black (includes compression knobs) A3 2014
ns	11.4015.544.300	Compression Damper, Motion Control DNA, Crown Adjust - Revelation RCT3 Silver (includes compression knobs) A3 2014
18	11.4315.013.050	Remote XLoc Left Gold Adjuster (includes hose/banjo) 2014
18	11.4315.013.060	Remote XLoc Right Gold Adjuster (includes hose/banjo) 2014
19	11.4315.014.010	Button/Boot/Master Piston Assembly, XLoc Left
19	11.4315.014.020	Button/Boot/Master Piston Assembly, XLoc Right
19	11.4318.007.000	Button/Boot/Master Piston Assembly, XLoc Full Sprint, Gold Adjuster
20	11.4315.016.010	Clamp/Bracket Hardware, XLoc Left, Ti Hardware
20	11.4315.016.020	Clamp/Bracket Hardware, XLoc Right, Ti Hardware
21	11.4315.017.000	Floodgate Adjuster Assembly, Xloc - Silver Adjuster
21	11.4318.008.000	Floodgate Adjuster Assembly, Xloc Sprint/Full Sprint- 2014/Gold Adjuster
22	11.4315.018.000	Banjo/Retaining Ring, Xloc Qty 1 - Silver Adjuster
22	11.4318.009.000	Banjo/Retaining Ring, Xloc Sprint/Full Sprint Qty 1 - 2014/Gold Adjuster
23	11.4315.019.000	XLoc Remote Service Kit
24	11.4015.434.010	Hydraulic Hose XLoc 460mm Qty 2 (use with suspension fluid only) - Silver Adjuster
24	11.4015.434.020	Hydraulic Hose XLoc 460mm Qty 10 (use with suspension fluid only) - Silver Adjuster
24	11.4015.434.030	Hydraulic Hose XLoc 500mm Qty 2 (use with suspension fluid only) - Sprint/Full Sprint, 2014/ Gold Adjuster
24	11.4015.434.040	Hydraulic Hose XLoc 500mm Qty 10 (use with suspension fluid only) - Sprint/Full Sprint, 2014/ Gold Adjuster
ns	11.4315.011.030	ROCKSHOX Bleed Kit (XLoc/Totem) Qty 2 (includes two syringesand fittings, one torx tool)
25	11.4015.317.000	Rebound Damper/Seal Head Assembly, Motion Control, 26"/29", 80mm-120mm - Reba (2009-2011)
26	11.4015.317.010	Rebound Damper/Seal Head Assembly, Black Box Motion Control, 26"/29", 80mm-120mm - Reba (2009-2011)
26	11.4015.545.030	Rebound Damper and Seal Head Assembly/Shaft Bolt (150mm maxtravel) -Revelation 26", 27.5/650B, 29" 2010-2013
27	11.4015.353.010	Seal Head Assembly (Rebound Damper, Motion Control) - SIDA/Reba2009-2014
28	11.4018.012.002	Air Top Cap, Reba/SID/Revelation Black (32mm aluminum uppertubes only)
28	11.4018.012.003	Air Top Cap, Reba/SID/Revelation Silver (32mm aluminum uppertubes only)
29	11.4015.313.000	2009-2011 Reba Dual Air Spring Assembly 26" (80mm-120mm)
29	11.4015.313.010	2009-2011 Reba Dual Air Spring Assembly 29" (80mm-120mm)
29	11.4015.313.020	Dual Air Spring Assembly 29" (140mm) - 2011 Reba (use only with Tapered 140mm Reba CSU)
30	11.4015.450.000	All-Travel Spacer Kit (not compatible with SID/Reba/Revelation Solo Air Spring)



No.	Part Number	Description
ns	11.4015.320.000	2009-2011 Reba Service Kit (DualAir/MotionControl)
31	11.4309.009.000	2005-11 Reba/2005-10Pike/06-09 Revelation Air U-Turn Top CapKit
32	11.4309.006.000	2005-11 Reba/2005-10Pike/06-09 Revelation Air U-Turn Upper Air Spring Assembly
33	11.4015.348.000	2009-2011 Reba Air U-Turn Air Tube
34	11.4015.349.000	2009-2011 Reba 26" Air U-Turn Lower Air Spring Assy
34	11.4015.349.010	2009-2011 Reba 29" Air U-Turn Lower Air Spring Assy
ns	11.4015.263.000	05-11 Reba/06-09 Revelation/05-10 Pike Air U-Turn Service Kit
35	00.4315.013.010	Maxle Lite 20mm, Black (32mm, Chassis) 2011
36	11.4311.722.020	Lever/Wedge Kit, Maxle Lite 20mm (32mm/35mm/40mm) 2011
37	00.4318.002.002	Remote Upgrade Kit - 2012-2013 Revelation RLT - MotionControl DNA - Includes Remote Compression Damper and PushLoc Remote Right MMX
38	11.4015.259.000	Crush Washer 8mm, Qty 50
39	11.4015.260.000	Crush Washer Retainer, Qty 50
40	11.4018.028.003	Dust Seal 32mm Black - SID/Reba/Revelation Qty 20
41	11.4310.698.000	Foam Ring 32mm x 10mm - Revelation/Argyle/Sektor/Tora/Recon/XC32 Qty 20
42	11.4308.327.002	Schrader Valve Core Qty 2
ns	11.4318.003.290	Decal Kit Reba 26 Silver/White Lower Leg A3
ns	11.4318.003.291	Decal Kit Reba 26 Silver/Black Lower Leg A3
ns	11.4318.003.292	Decal Kit Reba 26 Silver/Diffusion Black Lower Leg A3
ns	11.4318.003.293	Decal Kit Reba 27.5 Silver/White Lower Leg A3
ns	11.4318.003.294	Decal Kit Reba 27.5 Silver/Black Lower Leg A3
ns	11.4318.003.295	Decal Kit Reba 27.5 Silver/Diffusion Black Lower Leg A3
ns	11.4318.003.296	Decal Kit Reba 29 Silver/White Lower Leg A3
ns	11.4318.003.297	Decal Kit Reba 29 Silver/Black Lower Leg A3
ns	11.4318.003.298	Decal Kit Reba 29 Silver/Diffusion Black Lower Leg A3
ns	11.4309.073.000	Kit Disk Brake Cable Accessory
ns	00.4315.023.010	High-Pressure Fork/Shock Pump (300 psi Max) RockShox
ns	00.4315.022.010	Schrader Valve Removal Tool Rockshox



Notes:

IMPORTANT - 2012 and 2013 Reba CSU, lower leg, spring assembly and damper assemblies are NOT compatible with 2005-2011 Reba forks. Dual Air CSU and Dual Air spring assemblies are NOT compatible with Solo Air CSU and Solo Air spring assemblies.

1. Full service kits include replaceable o-rings, glide rings, retaining rings, crush washers, crush washer retainers, lower leg bottom-out bumpers and shaft bolts/nuts. All air service kits include replacement schrader valve cores. Not all parts service parts are pictured. All basic service kits include the following replaceable wear items: o-rings, glide rings, dust seals, and foam rings.
2. Rebound damper and spring shaft kits include crush washers, crush washer retainers and shaft bolts, as well as upper tube retaining rings and rebound adjuster knob.
3. Damper side = rider's right. Spring side = rider's left.
4. Convert from Crown Adjust to Remote Adjust: Remote compression damper requires remote compression adjuster spool, cable clamp and remote lever assembly.
5. Reba/SID lower legs do not include decals. All lower legs include bottom-out bumpers, bushings, foam rings and dust seals installed.
6. Reba 29" requires 29"-specific parts. See part kit description for 29" identification.
7. Reba 29" maximum travel setting = 110mm. Reba 26" maximum travel setting = 120mm.
8. Solo Air internals require Solo Air CSU; Solo Air internals are not compatible with Dual Air CSU. Dual Air internals require Dual Air CSU; Dual Air internals are not compatible with Solo Air CSU.
9. 2013-2014 Reba and 2013-2014 SID Solo Air internals, CSU and Lower Leg assemblies are interchangeable.
10. PopLoc remote not compatible with 2013 and 2014 Reba remote compression dampers.
11. Refer to the RockShox Technical Manual (www.sram.com) for oil volumes, air pressure settings and torque values.

REBA (A1-A3/2012-2014)



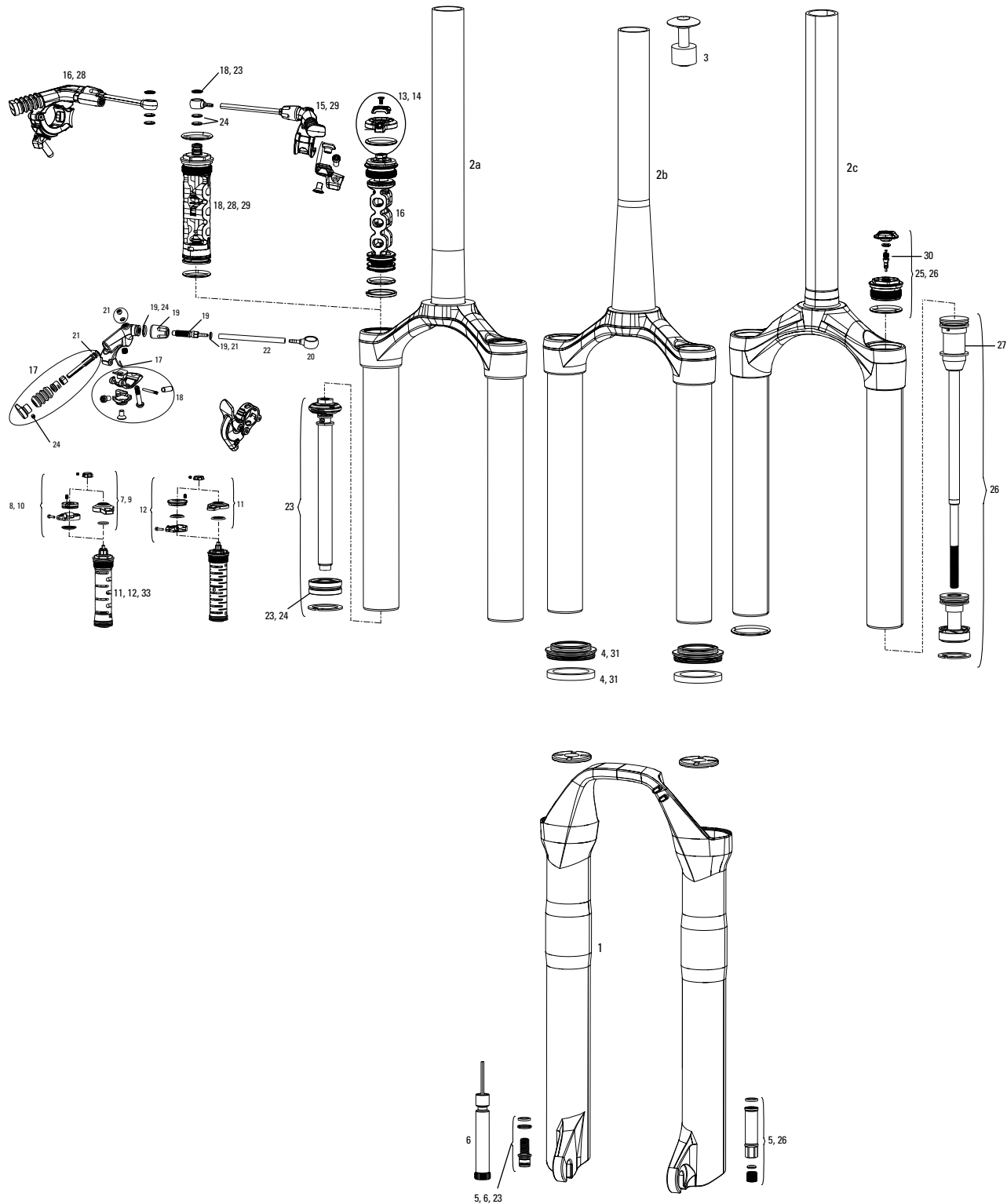
No.	Part Number	Description
1b	11.4018.006.029	Lower Leg 26", Maxle 15mm, Keronite Grey/Safety Silver - 2012-2013 SIDB
1d	11.4018.006.175	Lower Leg SID/Reba 2915 Disc Black (decals not included) A1-A3 (Sid 2011-2014, Reba 2012-2014)
1d	11.4018.006.176	Lower Leg SID/Reba 2915 Disc White (decals not included) A1-A3 (Sid 2011-2014, Reba 2012-2014)
1d	11.4018.006.177	Lower Leg SID/Reba 2915 Disc Diffusion Black (decals not included) A1-A3 (Sid 2011-2014, Reba 2012-2014)
1a	11.4018.006.160	Lower Leg SID/Reba 26Q Disc Black (decals not included) A1-A3 (Sid 2011-2014, Reba 2012-2014)
1a	11.4018.006.161	Lower Leg SID/Reba 26Q Disc White (decals not included) A1-A3 (Sid 2011-2014, Reba 2012-2014)
1a	11.4018.006.162	Lower Leg SID/Reba 26Q Disc Diffusion Black (decals not included) A1-A3 (Sid 2011-2014, Reba 2012-2014)
1b	11.4018.006.163	Lower Leg SID/Reba 2615 Disc Black (decals not included) A1-A3 (Sid 2011-2014, Reba 2012-2014)
1b	11.4018.006.164	Lower Leg SID/Reba 2615 Disc White (decals not included) A1-A3 (Sid 2011-2014, Reba 2012-2014)
1b	11.4018.006.165	Lower Leg SID/Reba 2615 Disc Diffusion Black (decals not included) A1-A3 (Sid 2011-2014, Reba 2012-2014)
1c	11.4018.006.166	Lower Leg SID/Reba 27.5/650B QR Disc Black (decals not included) A1-A3 (Sid 2011-2014, Reba 2012-2014)
1c	11.4018.006.167	Lower Leg SID/Reba 27.5/650B QR Disc White (decals not included) A1-A3 (Sid 2011-2014, Reba 2012-2014)
1c	11.4018.006.168	Lower Leg SID/Reba 27.5/650B QR Disc Diffusion Black (decals not included) A1-A3 (Sid 2011-2014, Reba 2012-2014)
1c	11.4018.006.021	Lower Leg 29", 9mm QR, Keronite Grey/Safety Silver - 2012-2013 SIDB
1c	11.4018.006.172	Lower Leg SID/Reba 29Q Disc Black (decals not included) A1-A3 (Sid 2011-2014, Reba 2012-2014)
1c	11.4018.006.173	Lower Leg SID/Reba 29Q Disc White (decals not included) A1-A3 (Sid 2011-2014, Reba 2012-2014)
1c	11.4018.006.174	Lower Leg SID/Reba 29Q Disc Diffusion Black (decals not included) A1-A3 (Sid 2011-2014, Reba 2012-2014)
1d	11.4018.006.169	Lower Leg SID/Reba 27.5/650B, Maxle 15 Disc Black (decals not included) A1-A3 (Sid 2011-2014, Reba 2012-2014)
1d	11.4018.006.170	Lower Leg SID/Reba 27.5/650B, Maxle 15 Disc White (decals not included) A1-A3 (Sid 2011-2014, Reba 2012-2014)
1d	11.4018.006.171	Lower Leg SID/Reba 27.5/650B, Maxle 15 Disc Diffusion Black (decals not included) A1-A3 (Sid 2011-2014, Reba 2012-2014)
1d	11.4018.006.025	Lower Leg 29", Maxle 15mm, Keronite Grey/Safety Silver - 2012-2013 SIDB
1d	11.4018.006.175	Lower Leg SID/Reba 2915 Disc Black (decals not included) A1-A3 (Sid 2011-2014, Reba 2012-2014)
1d	11.4018.006.176	Lower Leg SID/Reba 2915 Disc White (decals not included) A1-A3 (Sid 2011-2014, Reba 2012-2014)
1d	11.4018.006.177	Lower Leg SID/Reba 2915 Disc Diffusion Black (decals not included) A1-A3 (Sid 2011-2014, Reba 2012-2014)
1d	11.4018.006.049	Lower Leg 29", Maxle 15mm, Keronite Grey/Safety Silver - 2012-2013 SIDB 120 only
2a	11.4015.543.010	CSU Dual Air 26" Black Aluminum Steerer 1 1/8" - 2012 Reba (Dual Air only, not compatible with Solo Air)
2a	11.4015.543.020	CSU Dual Air 26" White Aluminum Steerer 1 1/8" - 2012 Reba (Dual Air only, not compatible with Solo Air)
2a	11.4015.543.030	CSU Dual Air 26" Diffusion Black Aluminum Steerer 1 1/8" - 2012 Reba (Dual Air only, not compatible with Solo Air)
2a	11.4015.543.070	CSU Dual Air 29" Black Aluminum Steerer 1 1/8" - 2012 Reba (Dual Air only, not compatible with Solo Air)
2a	11.4015.543.080	CSU Dual Air 29" White Aluminum Steerer 1 1/8" - 2012 Reba (Dual Air only, not compatible with Solo Air)
2a	11.4015.543.090	CSU Dual Air 29" Diffusion Black Aluminum Steerer 1 1/8" - 2012 Reba (Dual Air only, not compatible with Solo Air)
2a	11.4015.543.130	CSU Dual Air 12 Reba 29 Aluminum Black 32mm 510S 1 1/8 (DualAir only, not compatible with Solo Air)
2a	11.4015.543.140	CSU Dual Air 12 Reba 29 Aluminum White 32mm 510S 1 1/8 (DualAir only, not compatible with Solo Air)
2b	11.4015.543.040	CSU Dual Air 26" Black Aluminum Steerer Tapered - 2012 Reba (Dual Air only, not compatible with Solo Air)
2b	11.4015.543.050	CSU Dual Air 26" White Aluminum Steerer Tapered - 2012 Reba (Dual Air only, not compatible with Solo Air)
2b	11.4015.543.060	CSU Dual Air 26" Diffusion Black Aluminum Steerer Tapered - 2012 Reba (Dual Air only, not compatible with Solo Air)
2b	11.4015.543.100	CSU Dual Air 29" Black Aluminum Steerer Tapered - 2012 Reba (Dual Air only, not compatible with Solo Air)
2b	11.4015.543.110	CSU Dual Air 29" White Aluminum Steerer Tapered - 2012 Reba (Dual Air only, not compatible with Solo Air)
2b	11.4015.543.120	CSU Dual Air 29" Diffusion Black Aluminum Steerer Tapered - 2012 Reba (Dual Air only, not compatible with Solo Air)
2a	11.4018.008.244	CSU SID/Reba Solo Air 26 Aluminum 1 1/8 Black (with Black Upper Tubes) A2-A3 (2013-2014)
2a	11.4018.008.245	CSU SID/Reba Solo Air 26 Aluminum 1 1/8 White (with Black Upper Tubes) A2-A3 (2013-2014)
2a	11.4018.008.246	CSU SID/Reba Solo Air 26 Aluminum 1 1/8 Diffusion Black (with Black Upper Tubes) A2-A3 (2013-2014)
2b	11.4018.008.247	CSU SID/Reba Solo Air 26 Aluminum Taper Black (with Black Upper Tubes) A2-A3 (2013-2014)
2b	11.4018.008.248	CSU SID/Reba Solo Air 26 Aluminum Taper White (with Black Upper Tubes) A2-A3 (2013-2014)
2b	11.4018.008.249	CSU SID/Reba Solo Air 26 Aluminum Taper Diffusion Black (with Black Upper Tubes) A2-A3 (2013-2014)
2b	11.4018.008.252	CSU SID/Reba Solo Air 27.5 Aluminum Taper Black (with Black Upper Tubes) A2-A3 (2013-2014)
2b	11.4018.008.253	CSU SID/Reba Solo Air 27.5 Aluminum Taper White (with Black Upper Tubes) A2-A3 (2013-2014)
2b	11.4018.008.254	CSU SID/Reba Solo Air 27.5 Aluminum Taper Diffusion Black (with Black Upper Tubes) A2-A3 (2013-2014)
2a	11.4018.008.255	CSU SID/Reba Solo Air 29 46 Off-Set Aluminum 1 1/8 Black (with Black Upper Tubes) A2-A3 (2013-2014)
2a	11.4018.008.256	CSU SID/Reba Solo Air 29 46 Off-Set Aluminum 1 1/8 White (with Black Upper Tubes) A2-A3 (2013-2014)
2a	11.4018.008.257	CSU SID/Reba Solo Air 29 46 Off-Set Aluminum 1 1/8 Diffusion Black (with Black Upper Tubes) A2-A3 (2013-2014)
2a	11.4018.008.258	CSU SID/Reba Solo Air 29 51 Off-Set Aluminum 1 1/8 Black (with Black Upper Tubes) A2-A3 (2013-2014)
2a	11.4018.008.259	CSU SID/Reba Solo Air 29 51 Off-Set Aluminum 1 1/8 White (with Black Upper Tubes) A2-A3 (2013-2014)
2a	11.4018.008.260	CSU SID/Reba Solo Air 29 51 Off-Set Aluminum 1 1/8 Diffusion Black (with Black Upper Tubes) A2-A3 (2013-2014)
2b	11.4018.008.261	CSU SID/Reba Solo Air 29 46 Off-Set Aluminum Taper Black (with Black Upper Tubes) A2-A3 (2013-2014)
2b	11.4018.008.262	CSU SID/Reba Solo Air 29 46 Off-Set Aluminum Taper White (with Black Upper Tubes) A2-A3 (2013-2014)
2b	11.4018.008.263	CSU SID/Reba Solo Air 29 46 Off-Set Aluminum Taper Diffusion Black (with Black Upper Tubes) A2-A3 (2013-2014)
2b	11.4018.008.266	CSU SID/Reba Solo Air 29 51 Off-Set Aluminum Taper Black (with Black Upper Tubes) A2-A3 (2013-2014)
2b	11.4018.008.267	CSU SID/Reba Solo Air 29 51 Off-Set Aluminum Taper White (with Black Upper Tubes) A2-A3 (2013-2014)
2b	11.4018.008.268	CSU SID/Reba Solo Air 29 51 Off-Set Aluminum Taper Diffusion Black (with Black Upper Tubes) A2-A3 (2013-2014)
2c	11.4018.008.250	CSU SID/Reba Solo Air 26 Carbon Taper Black (with Black Upper Tubes) A2-A3 (2013-2014)
2c	11.4018.008.251	CSU SID/Reba Solo Air 26 Carbon Taper Diffusion Black (with Black Upper Tubes) A2-A3 (2013-2014)
2c	11.4018.008.264	CSU SID/Reba Solo Air 29 46 Off-Set Carbon Taper Black (with Black Upper Tubes) A2-A3 (2013-2014)
ns	11.4018.008.265	CSU SID/Reba Solo Air 29 46 Off-Set Carbon Taper Diffusion Black (with Black Upper Tubes) A2-A3 (2013-2014)
ns	11.4018.008.269	CSU SID/Reba Solo Air 29 51 Off-Set Carbon Taper Black (with Black Upper Tubes) A2-A3 (2013-2014)
ns	11.4018.008.270	CSU SID/Reba Solo Air 29 51 Off-Set Carbon Taper Diffusion Black (with Black Upper Tubes) A2-A3 (2013-2014)
ns	11.4018.008.271	CSU SID/Reba Solo Air 29 46 Off-Set Aluminum T2-Overdrive Drive 2 Black (with Black Upper Tubes) A2-A3 (2013-2014)
ns	11.4018.008.272	CSU SID/Reba Solo Air 29 46 Off-Set Aluminum T2-Overdrive Drive 2 White (with Black Upper Tubes) A2-A3 (2013-2014)
ns	11.4018.008.273	CSU SID/Reba Solo Air 29 46 Off-Set Aluminum T2-Overdrive Drive 2 Diffusion Black (with Black Upper Tubes) A2-A3 (2013-2014)
3	11.4018.028.001	Dust Seal/Foam Ring Black 32mm Seal, 5mm Foam Ring - SID A1-A3/Reba A2-A3
4	11.4015.491.010	Hydraulic Hose Clamp, Lower Leg - 2011-2014 SID (100/120mm only)/2014 Reba/2011-2014 Revelation 15mm/2011-2014 Sektor 15mm
5	11.4015.292.000	Shaft Fastener Kit (rebound shaft bolt/dual air nut) - 2008-2012 SID/2009-2011 Reba 29"/2012 Reba
6	11.4015.293.000	Rebound Damper Adjuster Knob/Shaft Bolt Kit - 2008-2014 SID/2012-2014 Reba
ns	11.4308.848.000	PopLoc Lever Left (17mm cable pull, not compatible with 2013+ Motion Control)
ns	11.4309.207.000	PopLoc Lever Right (17mm cable pull, not compatible with 2013+ Motion Control)
ns	11.4308.849.000	PopLoc Adjust Lever Left (17mm cable pull, not compatible with 2013+ Motion Control)
ns	11.4309.208.000	PopLoc Adjust Lever Right (17mm cable pull, not compatible with 2013+ Motion Control)
8	00.4318.002.005	Remote Upgrade Kit - 2013 PushLoc 10mm Cable Pull Remote Kit Left MMX (includes: PushLoc Left, MatchMaker knuckle, cable & housing) compatible with 2013 damper only
9	00.4318.002.006	Remote Upgrade Kit - 2013 PushLoc 10mm Cable Pull Remote Kit Right MMX (includes: PushLoc Right, MatchMaker knuckle, cable & housing) compatible with 2013 damper only
10	11.4015.461.010	Compression Damper Adjuster Knob Kit (Motion Control Crown Adjust) w/ screw - Reba RL (2012-2014)/Recon (2010-2014)/Recon, Sektor Gold (2011-2014)
11	11.4015.461.020	Compression Damper Remote Spool/Clamp Kit (Motion Control Remote) w/screw Reba RL (2012-2014)/Recon (2010-2014)/Recon, Sektor Gold (2011-2014)
12	11.4018.011.002	Remote Spool/Cable Clamp Kit Recon Gold TKRL/Sektor TKRL/Reba RL (10mm Pull 2013+ Damper and PushLoc only) 2013-2014
13	11.4015.294.000	Compression Knob (set screw)/External Floodgate Adjuster Knob Alum, Motion Control - SID RLT (2009-2011)/Reba RLT (2011-2012)/Revelation RLT (2011-2012)
14	11.4015.295.000	Compression Remote Spool 17mm (set screw)/External FloodgateAdj Knob/Cable Clamp, Motion Control-SIDRLT 09-11/RebaRLT 1 1-12/RevelationRLT 11-12 (not compatible w/13 PushLoc 10mm)11-12 (not compatible with 2013 PushLoc 10mm cable pull)
15	11.4018.011.004	Remote Spool/Cable Clamp Kit Reba RLT (10mm Pull 2013+ Damper and PushLoc only) 2013-2014
16	11.4015.544.010	Compression Damper, Crown Adjust, Motion Control DNA (includes comp knob) - SID/Reba RL (120mm only) A1-A3 2012-2014
17	11.4015.544.020	Compression Damper, Remote Adjust 17mm, Motion Control DNA (includes remote spool and cable clamp) - SIDB/Reba RL (120mm only) A1-A3 (2012-2014)
18	11.4015.544.050	Compression Damper, Crown Adjust, Motion Control DNA (includes comp and floodgate knobs) - SIDB/Reba RLT (120mm only) A1-A3 (2012-2014)
19	11.4015.544.060	Compression Damper, Remote Adjust 17mm, Motion Control DNA Threshold (includes remote spool, cable clamp and floodgate knob) - SIDB/Reba RLT (120mm only) A1-A3 (2012-2014)

REBA (A1-A3/2012-2014)



No.	Part Number	Description
20	11.4015.544.210	Compression Damper, Remote Adjust 10mm, Motion Control DNA, Silver - SIDB/Reba RL (includes remote spool and cable clamp; compatible with 2013+ PushLocs only) A2-A3 (2013-2014)(10mm Cable Pull only)
20	11.4015.544.230	Compression Damper, Remote Adjust 10mm, Motion Control DNA, Black - SIDB/Reba RL (includes remote spool and cable clamp; compatible with 2013+ PushLocs only) A2-A3 (2013-2014)(10mm Cable Pull only)
21	11.4015.544.220	Compression Damper, Remote Adjust 10mm, Motion Control DNA , Silver - SIDB/Reba RLT (includes remote spool and cable clamp; compatible with 2013+ PushLocs only) A2-A3 (2013-2014)(10mm Cable Pull only)
21	11.4015.544.240	Compression Damper, Remote Adjust 10mm, Motion Control DNA , Black - SIDB/Reba RLT (includes remote spool and cable clamp; compatible with 2013+ PushLocs only) A2-A3 (2013-2014)(10mm Cable Pull only)
22	11.4015.549.010	Rebound Damper and Seal Head Assembly/Shaft Bolt (120mm max travel) - Reba/SIDB 26" (120mm chassis only) A1-A3 (2012-2014)
22	11.4015.549.020	Rebound Damper and Seal Head Assembly/Shaft Bolt (100mm max travel) - Reba/SIDB 26" (120mm chassis only) A1-A3 (2012-2014)
22	11.4018.025.000	Rebound Damper and Seal Head Assembly/Shaft Bolt- Reba 27.5/ 29 A3 (2014)
23	11.4015.353.010	Seal Head Assembly (Rebound Damper, Motion Control) - SIDA/Reba2009-2014
23	11.4018.012.002	Air Top Cap, Reba/SID/Revelation Black (32mm aluminum upper tubes only)
24	11.4018.012.003	Air Top Cap, Reba/SID/Revelation Silver (32mm aluminum upper tubes only)
25	11.4015.546.040	Spring Assembly (Dual Air) and Air Top Cap Kit (120mm max travel) - 2012 Reba/SIDB 26" (120mm chassis only; not compatible with 2013 Solo Air CSU)
25	11.4015.546.050	Spring Assembly (Dual Air) and Air Top Cap Kit (110mm max travel) - 2012 Reba/SIDB 29" (120mm chassis only; not compatible with 2013 Solo Air CSU)
26a	11.4018.010.046	Spring Internals Left Solo Air Reba/SIDB 27.5/650b, 29 120 Black (includes air top cap, solo air spring and shaft bolt; not compatible with Dual Air CSU) A2-A3 (2013-2014)
26a	11.4018.010.047	Spring Internals Left Solo Air Reba/SIDB 27.5/650b, 29 120 Silver (includes air top cap, solo air spring and shaft bolt; not compatible with Dual Air CSU) A2-A3 (2013-2014)
26a	11.4018.010.048	Spring Internals Left Solo Air Reba/SIDB 29 110 Black (includes air top cap, solo air spring and shaft bolt; not compatible with Dual Air CSU) A2-A3 (2013-2014)
26a	11.4018.010.049	Spring Internals Left Solo Air Reba/SIDB 29 110 Silver (includes air top cap, solo air spring and shaft bolt; not compatible with Dual Air CSU) A2-A3 (2013-2014)
26a	11.4018.010.050	Spring Internals Left Solo Air Reba/SIDB 27.5/650b, 29 100 Black (includes air top cap, solo air spring and shaft bolt; not compatible with Dual Air CSU) A2-A3 (2013-2014)
26a	11.4018.010.051	Spring Internals Left Solo Air Reba/SIDB 27.5/650b, 29 100 Silver (includes air top cap, solo air spring and shaft bolt; not compatible with Dual Air CSU) A2-A3 (2013-2014)
26a	11.4018.010.052	Spring Internals Left Solo Air Reba/SIDB 29 90 Black (includes air top cap, solo air spring and shaft bolt; not compatible with Dual Air CSU) A2-A3 (2013-2014)
26a	11.4018.010.053	Spring Internals Left Solo Air Reba/SIDB 29 90 Silver (includes air top cap, solo air spring and shaft bolt; not compatible with Dual Air CSU) A2-A3 (2013-2014)
26a	11.4018.010.054	Spring Internals Left Solo Air Reba/SIDB 29 80 Black (includes air top cap, solo air spring and shaft bolt; not compatible with Dual Air CSU) A2-A3 (2013-2014)
26a	11.4018.010.055	Spring Internals Left Solo Air Reba/SIDB 29 80 Silver (includes air top cap, solo air spring and shaft bolt; not compatible with Dual Air CSU) A2-A3 (2013-2014)
26a	11.4018.010.056	Spring Internals Left Solo Air Reba/SIDB 26 120 Black (includes air top cap, solo air spring and shaft bolt; not compatible with Dual Air CSU) A2-A3 (2013-2014)
26a	11.4018.010.057	Spring Internals Left Solo Air Reba/SIDB 26 120 Silver (includes air top cap, solo air spring and shaft bolt; not compatible with Dual Air CSU) A2-A3 (2013-2014)
26a	11.4018.010.058	Spring Internals Left Solo Air Reba/SIDB 26 110 Black (includes air top cap, solo air spring and shaft bolt; not compatible with Dual Air CSU) A2-A3 (2013-2014)
26a	11.4018.010.059	Spring Internals Left Solo Air Reba/SIDB 26 110 Silver (includes air top cap, solo air spring and shaft bolt; not compatible with Dual Air CSU) A2-A3 (2013-2014)
26a	11.4018.010.060	Spring Internals Left Solo Air Reba/SIDB 26 80 Black (includes air top cap, solo air spring and shaft bolt; not compatible with Dual Air CSU) A2-A3 (2013-2014)
26a	11.4018.010.061	Spring Internals Left Solo Air Reba/SIDB 26 100 Silver (includes air top cap, solo air spring and shaft bolt; not compatible with Dual Air CSU) A2-A3 (2013-2014)
26a	11.4018.010.062	Spring Internals Left Solo Air Reba/SIDB 26 90 Black (includes air top cap, solo air spring and shaft bolt; not compatible with Dual Air CSU) A2-A3 (2013-2014)
26a	11.4018.010.063	Spring Internals Left Solo Air Reba/SIDB 26 90 Silver (includes air top cap, solo air spring and shaft bolt; not compatible with Dual Air CSU) A2-A3 (2013-2014)
26a	11.4018.010.064	Spring Internals Left Solo Air Reba/SIDB 26 80 Black (includes air top cap, solo air spring and shaft bolt; not compatible with Dual Air CSU) A2-A3 (2013-2014)
26a	11.4018.010.065	Spring Internals Left Solo Air Reba/SIDB 26 80 Silver (includes air top cap, solo air spring and shaft bolt; not compatible with Dual Air CSU) A2-A3 (2013-2014)
26b	11.4018.021.000	Air Shaft Reba/SIDB 120mm travel 27.5"/29" (A3) (can be used to change travel to 120mm on 27.5" /29" 2014/A3) Solo Air, not compatible with pre 2014/A3 29" /Dual Air)
26b	11.4018.021.001	Air Shaft Reba/SIDB 110mm travel 27.5"/29" (can be used to change travel to 110mm on 27.5"/29" Solo Air, not compatible with Dual Air)
26b	11.4018.021.002	Air Shaft Reba/SIDB 100mm travel 27.5"/29" (can be used to change travel to 100mm on 27.5"/29" Solo Air, not compatible with Dual Air)
26b	11.4018.021.003	Air Shaft Reba/SIDB 90mm travel 27.5"/29" (can be used to change travel to 90mm on 27.5"/29" Solo Air, not compatible with Dual Air)
26b	11.4018.021.004	Air Shaft Reba/SIDB 80mm travel 27.5"/29" (can be used to change travel to 80mm on 27.5"/29" Solo Air, not compatible with Dual Air)
26b	11.4018.021.005	Air Shaft Reba/SIDB 120mm travel 26" (can be used to change travel to 120mm on 26" Solo Air, not compatible with Dual Air)
26b	11.4018.021.006	Air Shaft Reba/SIDB 110mm travel 26" (can be used to change travel to 110mm on 26" Solo Air, not compatible with Dual Air)
26b	11.4018.021.007	Air Shaft Reba/SIDB 100mm travel 26" (can be used to change travel to 100mm on 26" Solo Air, not compatible with Dual Air)
26b	11.4018.021.008	Air Shaft Reba/SIDB 90mm travel 26" (can be used to change travel to 90mm on 26" Solo Air, not compatible with Dual Air)
26b	11.4018.021.009	Air Shaft Reba/SIDB 80mm travel 26" (can be used to change travel to 80mm on 26" Solo Air, not compatible with Dual Air)
27	11.4015.450.000	All-Travel Spacer Kit (not compatible with SID/Reba/Revelation Solo Air Spring)
28	00.4318.005.001	Maxle Lite 15mm Black (compatible with all RockShox 15mm TA) B1
28	11.4318.004.000	Maxle Lite Lever Assembly B1
29	11.4315.010.010	Lever/Wedge Kit, Rear Maxle Lite 135/150mm (axle body)/Maxle Lite 15mm (front) - Black Lever 2010-2013
30	11.4308.327.002	Schrader Valve Core Qty 2
see SID 2014	00.4318.004.001	Remote Upgrade Kit, XLoc Full Sprint, SIDB, Left, MMX, Black (includes Motion Control X DNA comp damper, rear shock hydr aulic hose, bleed syringes)
see SID 2014	00.4318.004.002	Remote Upgrade Kit, XLoc Full Sprint, SIDB, Right, MMX, Black (includes Motion Control X DNA comp damper, rear shock hydraulic hose, bleed syringes)
see SID 2014	00.4318.004.005	Remote Upgrade Kit, XLoc Sprint, SIDB, Left, MMX, Black (includes Motion Control X DNA comp damper, bleed syringes)
see SID 2014	00.4318.004.006	Remote Upgrade Kit, XLoc Sprint, SIDB, Right, MMX, Black (includes Motion Control X DNA comp damper, bleed syringes)
31	00.4318.002.004	Remote Upgrade Kit - 2012-2013 Reba RLT- MotionControl - Includes Remote Compression Damper and PushLoc Remote Right MMX
32	11.4015.259.000	Crush Washer 8mm, Qty 50
33	11.4015.260.000	Crush Washer Retainer, Qty 50
34	11.4018.028.003	Dust Seal 32mm Black - SID/Reba/Revelation Qty 20
ns	11.4310.697.000	Foam Ring 32mm x 3.5mm - SID/Reba/Pike 2005-2006 Qty 20
35	00.4315.032.080	AM Fork Service Kit, Basic (includes dust seals, foam rings, o-ring seals) - Reba and SID (2012-2013)
ns	11.4015.494.000	SID Service Kit (120mm) Dual Air
ns	11.4018.018.001	Service Kit Full (includes solo air and damper seals, hardware & Black Seals) - SID/Reba Solo Air A2-A3 (2013-2014)
ns	00.4315.023.010	High-Pressure Fork/Shock Pump (300 psi Max) RockShox
ns	00.4315.022.010	Schrader Valve Removal Tool Rockshox
ns	11.4318.003.290	Decal Kit Reba 26 Silver/White Lower Leg A3
ns	11.4318.003.291	Decal Kit Reba 26 Silver/Black Lower Leg A3
ns	11.4318.003.292	Decal Kit Reba 26 Silver/Diffusion Black Lower Leg A3
ns	11.4318.003.293	Decal Kit Reba 27.5 Silver/White Lower Leg A3
ns	11.4318.003.294	Decal Kit Reba 27.5 Silver/Black Lower Leg A3
ns	11.4318.003.295	Decal Kit Reba 27.5 Silver/Diffusion Black Lower Leg A3
ns	11.4318.003.296	Decal Kit Reba 29 Silver/White Lower Leg A3
ns	11.4318.003.297	Decal Kit Reba 29 Silver/Black Lower Leg A3
ns	11.4318.003.298	Decal Kit Reba 29 Silver/Diffusion Black Lower Leg A3

SID A - 80mm/100mm (2008-2014) Dual Air



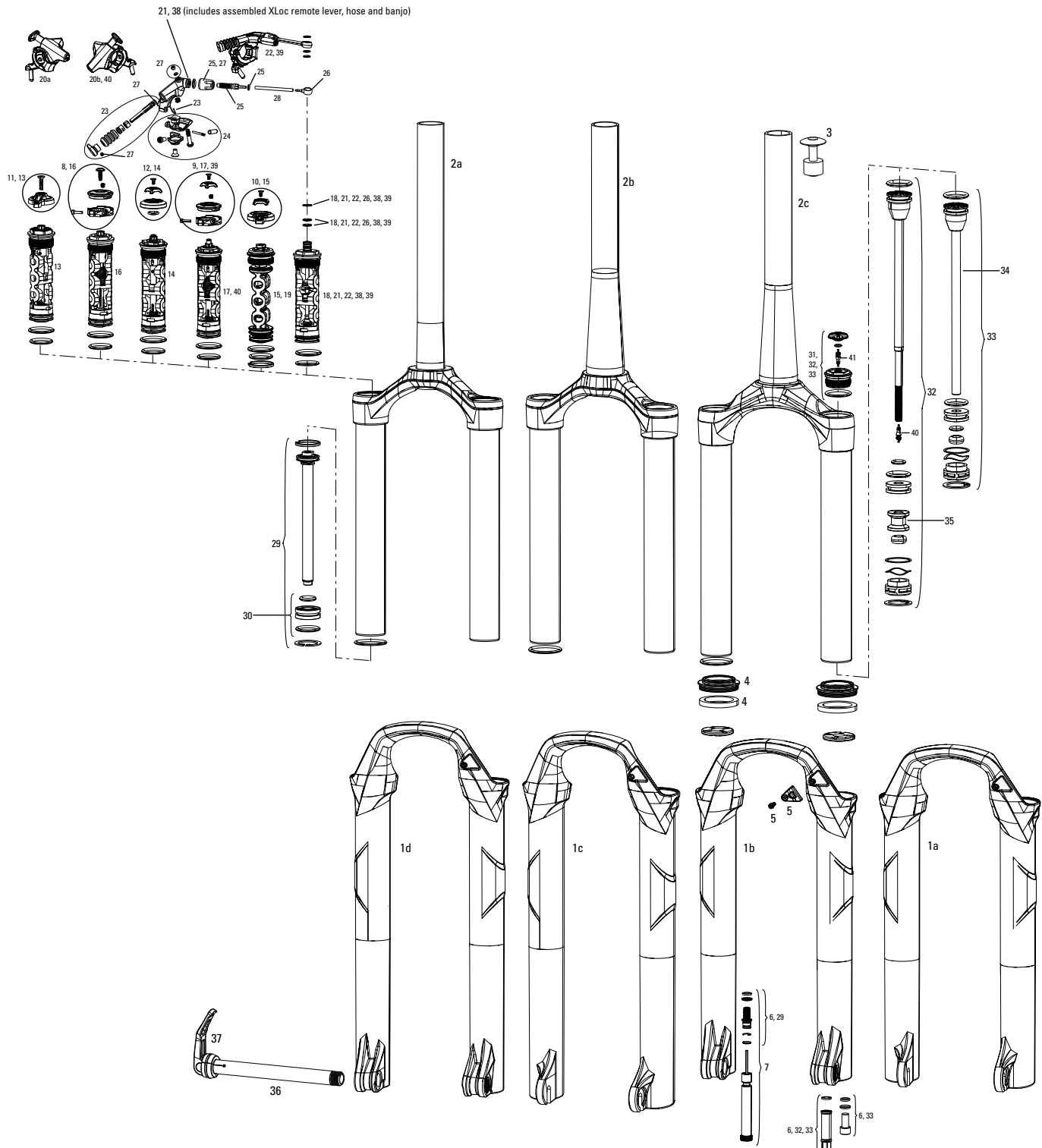
Note:

1. Full service kits include replaceable o-rings, glide rings, retaining rings, crush washers, crush washer retainers, lower leg bottom-out bumpers and shaft bolts/nuts. All air service kits include replacement schrader valve cores. Not all service parts are pictured. All basic service kits include the following replaceable wear items: o-rings, glide rings, dust seals, and foam rings.
2. Rebound damper and spring shaft kits include crush washers, crush washer retainers and shaft bolts, as well as upper tube retaining rings and rebound adjuster knob.
3. Damper side = rider's right. Spring side = rider's left.
4. All lower legs include bottom-out bumpers, bushings, foam rings and dust seals installed.
5. Solo Air internals, Solo Air CSU and SID B lower legs are NOT compatible with SID A. Use only Dual Air internals, Dual Air CSU and SID A lower legs.
6. 2013-2014 SID WC and XXWC 1 1/8" feature Dual Air and are not compatible with Solo Air.
7. SID A: upper tube inner diameter = 27.8mm. SID B: upper tube inner diameter = 28.2mm
8. Maximum fork travel = 100mm. Upper tube gradient includes ONLY 100mm and 80mm.
 - Internals and chassis parts designed for SIDB (120mm max travel) are NOT compatible.
 - Please note kit description travel specifications before ordering.
9. Refer to the RockShox Technical Manual (www.sram.com) for oil volumes, air pressure settings and torque values.

SID A - 80mm/100mm (2008-2014)



No.	Part Number	Description
1	11.4018.006.160	Lower Leg SID/Reba 26Q Disc Black (decals not included) A1-A3 (Sid 2011-2014, Reba 2012-2014)
1	11.4018.006.161	Lower Leg SID/Reba 26Q Disc White (decals not included) A1-A3 (Sid 2011-2014, Reba 2012-2014)
1	11.4018.006.055	Lower Leg SIDA XX World Cup 26Q 80/100 Disc Keronite Grey/Silver
1	11.4018.006.058	Lower Leg SIDA World Cup 26Q 80/100 Disc Keronite Grey/Silver
2a	11.4015.289.000	SIDA CSU Alum Black 32mm 1 1/8" (Dual Air 80/100mm only)
2a	11.4015.289.010	SIDA CSU Alum White 32mm 1 1/8" (Dual Air 80/100mm only)
2a	11.4015.289.050	SIDA XX CSU Alum Black 32mm 1 1/8" (Dual Air 80/100mm only)
2a	11.4015.289.060	SIDA XX CSU Alum White 32mm 1 1/8" (Dual Air 80/100mm only)
2b	11.4015.289.080	SIDA CSU Tapered Aluminum Black 32mm (Dual Air 80/100mm only)
2b	11.4015.289.090	SIDA CSU Tapered Aluminum White 32mm (Dual Air 80/100mm only)
2b	11.4015.289.110	SIDA XX CSU Tapered Aluminum Black 32mm 1 1/8" (Dual Air 80/100mm only)
2b	11.4015.289.120	SIDA XX CSU Tapered Aluminum White 32mm 1 1/8" (Dual Air 80/100mm only)
2c	11.4015.289.040	SIDA XX CSU Carbon 32mm 1 1/8" (Dual Air 80/100mm only)
2c	11.4015.289.160	SIDA WC CSU Carbon 1 1/8" 32mm (Dual Air 80/100mm only)
3	11.4306.531.000	SID Carbon Steerer Tube Expander Plug
ns	11.4307.470.000	Brake Post Kit Titanium (Qty 2)
ns	11.4307.469.000	Brake Post Kit Steel (Qty 2)
4	11.4015.489.010	Dust Seal/Foam Ring Grey 32mm Seal, 5mm Foam Ring - SID 2011-2013/Reba 2012-2013
5	11.4015.292.000	Shaft Fastener Kit (rebound shaft bolt/dual air nut) - 2008-2012 SID/2009-2011 Reba 29"/2012 Reba
6	11.4015.293.000	Rebound Damper Adjuster Knob/Shaft Bolt Kit - 2008-2014 SID/2012-2014 Reba
7	11.4015.294.000	Compression Knob (set screw)/External Floodgate Adjuster Knob Alum, Motion Control - SID RLT (2009-2011)/Reba RLT (2011-2012)/Revelation RLT (2011-2012)
8	11.4015.295.000	Compression Remote Spool 17mm (set screw)/External FloodgateAdj Knob/Cable Clamp, Motion Control-SIDRLT 09-11/RebaRLT 11-12/RevelationRLT 11-12 (not compatible w/13 PushLoc 10mm)
9	11.4015.296.000	Compression Damper, Crown Adjust, Motion Control, Black (includes - comp knob/external gate knob) - 08-11 SID Race/RLT (80/100mm only)
10	11.4015.296.010	Compression Damper, Remote Adjust 17mm, Motion Control, Black (includes - cable clamp/remote spool/external gate knob) 08-11 SIDA Race/RLT (80/100mm only)
11	11.4015.294.010	Compression Knob (set screw)/Floodgate Adjuster Knob Carbon,Black Box Motion Control - SID Reba (2009-2011)
12	11.4015.295.010	Compression Remote Spool 17mm (set screw)/Floodgate AdjusterKnob/Cable Clamp, Black Box Motion Control - SID Reba 09-11 (not compatible with 2013 PushLoc 10mm) (not compatible with 2013 PushLoc 10mm)
13	11.4015.547.010	Knob Kit, Compression Damper, RCT3 - SID/REVELATION A1-A3 (2012-2014)
14	11.4015.544.030	Compression Damper, Crown Adjust, Black, Motion Control, Black (includes - cable clamp/remote spool/external gate knob) - SIDA (80/100mm chassis only) 2009-2012
15	11.4315.013.050	Remote XLoc Left Gold Adjuster (includes hose/banjo) 2014
15	11.4315.013.060	Remote XLoc Right Gold Adjuster (includes hose/banjo) 2014
16	11.4315.013.070	Remote XLoc Full Sprint Left Gold Adjuster (includes hose/banjo)
16	11.4315.013.080	Remote XLoc Full Sprint Right Gold Adjuster (includes hose/banjo)
ns	11.4318.006.000	XLoc Full Sprint Remote Service Kit
17	11.4315.014.010	Button/Boot/Master Piston Assembly, XLoc Left
17	11.4315.014.020	Button/Boot/Master Piston Assembly, XLoc Right
17	11.4318.007.000	Button/Boot/Master Piston Assembly, XLoc Full Sprint, Gold Adjuster
18	11.4315.016.010	Clamp/Bracket Hardware, XLoc Left, Ti Hardware
18	11.4315.016.020	Clamp/Bracket Hardware, XLoc Right, Ti Hardware
19	11.4315.017.000	Floodgate Adjuster Assembly, Xloc - Silver Adjuster
19	11.4318.008.000	Floodgate Adjuster Assembly, Xloc Sprint/Full Sprint- 2014/Gold Adjuster
20	11.4315.018.000	Banjo/Retaining Ring, Xloc Qty 1 - Silver Adjuster
20	11.4318.009.000	Banjo/Retaining Ring, Xloc Sprint/Full Sprint Qty 1 - 2014/Gold Adjuster
21	11.4315.019.000	XLoc Remote Service Kit
22	11.4015.434.010	Hydraulic Hose XLoc 460mm Qty 2 (use with suspension fluid only) - Silver Adjuster
22	11.4015.434.020	Hydraulic Hose XLoc 460mm Qty 10 (use with suspension fluid only) - Silver Adjuster
22	11.4015.434.030	Hydraulic Hose XLoc 500mm Qty 2 (use with suspension fluid only) - Sprint/Full Sprint, 2014/ Gold Adjuster
22	11.4015.434.040	Hydraulic Hose XLoc 500mm Qty 10 (use with suspension fluid only) - Sprint/Full Sprint, 2014/ Gold Adjuster
ns	11.4315.011.030	ROCKSHOX Bleed Kit (XLoc/Totem) Qty 2 (includes two syringesand fittings, one torx tool)
23	11.4015.297.010	Rebound Damper and Seal Head Assembly/Shaft Bolt (BBMC Dual Flow) - 2009-2011 SIDA (80/100mm only)
24	11.4015.353.010	Seal Head Assembly (Rebound Damper, Motion Control) - SIDA/Reba2009-2014
25	11.4018.012.002	Air Top Cap, Reba/SID/Revelation Black (32mm aluminum upper tubes only)
25	11.4018.012.003	Air Top Cap, Reba/SID/Revelation Silver (32mm aluminum upper tubes only)
26	11.4015.546.030	Spring Assembly (Dual Air) and Air Top Cap Kit - 2012 SIDA 26" (80-100mm chassis only) (not compatible with 2013 Solo Air CSU)
27	11.4015.450.000	All-Travel Spacer Kit (not compatible with SID/Reba/Revelation Solo Air Spring)
28	00.4318.004.003	Remote Upgrade Kit, Xloc Full Sprint, Revelation, Left, MMX,Black (includes Motion Control X DNA comp damper, rear shock hydraulic hose, bleed syringes)
28	00.4318.004.004	Remote Upgrade Kit, Xloc Full Sprint, Revelation, Right, MMX, Black (includes Motion Control X DNA comp damper, rear shock hydraulic hose, bleed syringes)
29	00.4318.004.007	Remote Upgrade Kit, Xloc Sprint, Revelation, Left, MMX, Black (includes Motion Control X DNA comp damper, bleed syringes)
29	00.4318.004.008	Remote Upgrade Kit, Xloc Sprint, Revelation, Right, MMX, Black (includes Motion Control X DNA comp damper, bleed syringes)
30	11.4308.327.002	Schrader Valve Core Qty 2
ns	11.4015.300.000	Service Kit 08-12 SIDA (80/100mm chassis only)
31	00.4315.032.080	AM Fork Service Kit, Basic (includes dust seals, foam rings, o-ring seals) - Reba and SID (2012-2013)
ns	11.4318.003.299	Decal Kit SID 26 Silver/White Lower Leg A3
ns	11.4318.003.300	Decal Kit SID 26 Silver/Black Lower Leg A3
ns	11.4318.003.301	Decal Kit SID 26 Silver/Diffusion Black Lower Leg A3
ns	11.4318.003.302	Decal Kit SID 27.5 Silver/White Lower Leg A3
ns	11.4318.003.303	Decal Kit SID 27.5 Silver/Black Lower Leg A3
ns	11.4318.003.304	Decal Kit SID 27.5 Silver/Diffusion Black Lower Leg A3
ns	11.4318.003.305	Decal Kit SID 29 Silver/White Lower Leg A3
ns	11.4318.003.306	Decal Kit SID 29 Silver/Black Lower Leg A3
ns	11.4318.003.307	Decal Kit SID 29 Silver/Diffusion Black Lower Leg A3
bulk	11.4015.259.000	Crush Washer 8mm, Qty 50
bulk	11.4015.260.000	Crush Washer Retainer, Qty 50
bulk	11.4310.695.000	Dust Seal 32mm Grey - SID/Revelation/Reba/Argyle/Sektor/Tora/Recon/XC32 QTY 20
bulk	11.4015.496.010	Foam Ring 32mm x 5mm - SID A1-A3/Reba A2-A3 Qty 20
ns	00.4315.023.010	High-Pressure Fork/Shock Pump (300 psi Max) RockShox
ns	00.4315.022.010	Schrader Valve Removal Tool Rockshox



Note:

1. Full service kits include replaceable o-rings, glide rings, retaining rings, crush washers, crush washer retainers, lower leg bottom-out bumpers and shaft bolts/nuts. All air service kits include replacement schrader valve cores. Not all service parts are pictured. All basic service kits include the following replaceable wear items: o-rings, glide rings, dust seals, and foam rings.
2. Rebound damper and spring shaft kits include crush washers, crush washer retainers and shaft bolts, as well as upper tube retaining rings and rebound adjuster knob.
3. Damper side = rider's right. Spring side = rider's left.
4. All lower legs include bottom-out bumpers, bushings, foam rings and dust seals installed.
5. Convert from Crown Adjust to Remote Adjust: Remote compression damper requires remote compression adjuster spool, cable clamp and remote lever assembly.
6. Solo Air internals require Solo Air CSU; Solo Air internals are not compatible with Dual Air CSU. Dual Air internals require Dual Air CSU; Dual Air internals are not compatible with Solo Air CSU.
7. 2013-2014 Reba and 2013-2014 SID B internals: CSU and Lower Leg assemblies are interchangeable. SID A: upper tube inner diameter = 27.8mm. SID B: upper tube inner diameter = 28.2mm.
8. SID chassis and internals may be travel-specific. See part kit descriptions for identification.
9. SID RCT3 A3 (2014) compression damper must be used with SID A3 rebound damper (with Rapid Recovery valving). SID RCT3 A2 (2012-2013) compression damper is not compatible with SID RCT3 A3 compression damper.
10. 2011-2012 XLoc remote uses 2.5wt suspension fluid. 2013-2014 XLoc remote uses Reverb hydraulic fluid. Use fluid indicated on fork top cap.
11. Refer to the RockShox Technical Manual (www.sram.com) for oil volumes, air pressure settings and torque values.

SID B - 80mm-120mm (A1-A3/2011-2014)

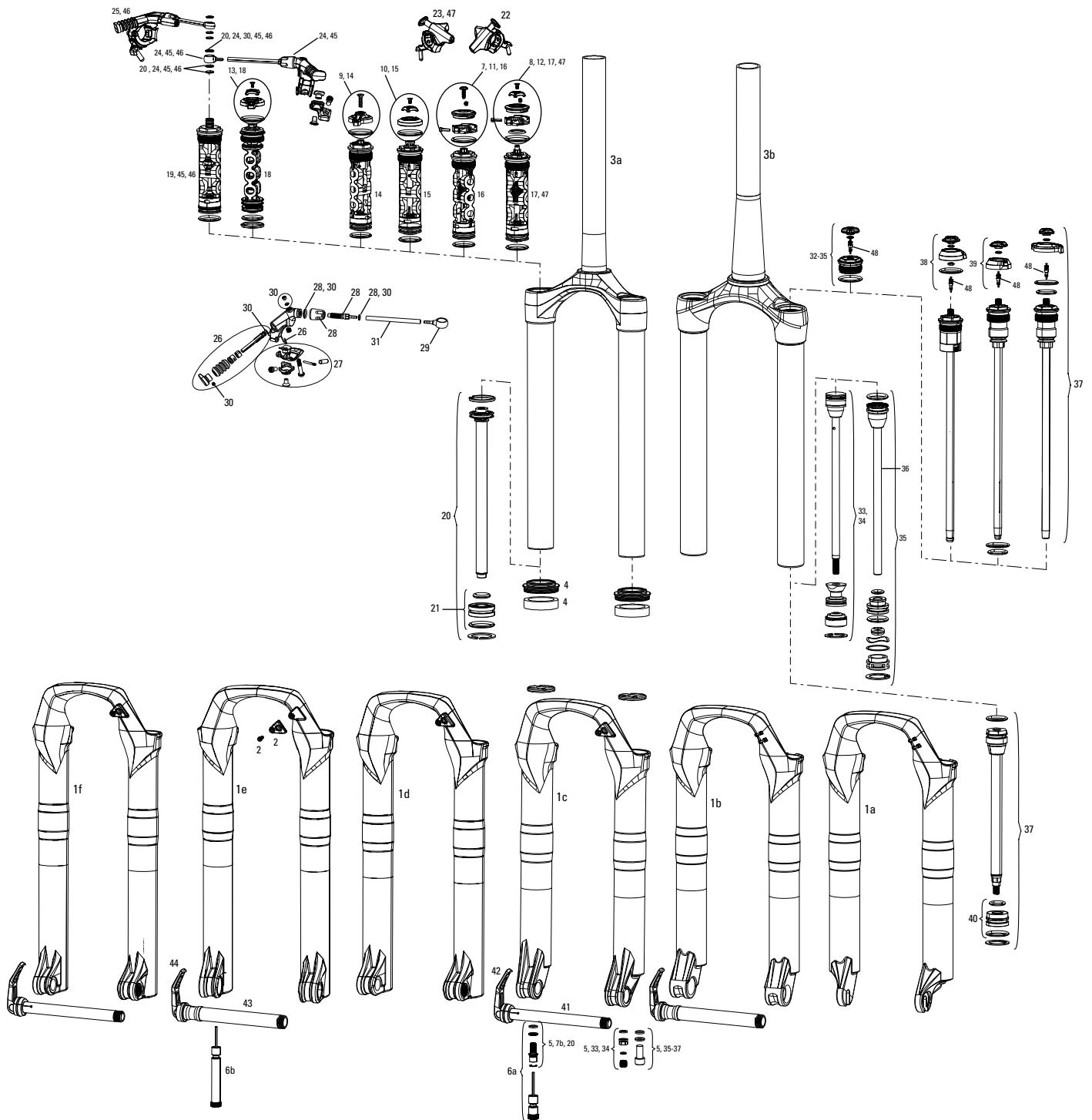


No.	Part Number	Description
2c	11.4018.008.264	CSU SID/Reba Solo Air 29 46 Off-Set Carbon Taper Black (with Black Upper Tubes) A2-A3 (2013-2014)
2c	11.4018.008.265	CSU SID/Reba Solo Air 29 46 Off-Set Carbon Taper Diffusion Black (with Black Upper Tubes) A2-A3 (2013-2014)
2b	11.4018.008.266	CSU SID/Reba Solo Air 29 51 Off-Set Aluminum Taper Black (with Black Upper Tubes) A2-A3 (2013-2014)
2b	11.4018.008.267	CSU SID/Reba Solo Air 29 51 Off-Set Aluminum Taper White (with Black Upper Tubes) A2-A3 (2013-2014)
2b	11.4018.008.268	CSU SID/Reba Solo Air 29 51 Off-Set Aluminum Taper Diffusion Black (with Black Upper Tubes) A2-A3 (2013-2014)
2c	11.4018.008.269	CSU SID/Reba Solo Air 29 51 Off-Set Carbon Taper Black (with Black Upper Tubes) A2-A3 (2013-2014)
2c	11.4018.008.270	CSU SID/Reba Solo Air 29 51 Off-Set Carbon Taper Diffusion Black (with Black Upper Tubes) A2-A3 (2013-2014)
ns	11.4018.008.271	CSU SID/Reba Solo Air 29 46 Off-Set Aluminum T2-Overdrive Drive 2 Black (with Black Upper Tubes) A2-A3 (2013-2014)
ns	11.4018.008.272	CSU SID/Reba Solo Air 29 46 Off-Set Aluminum T2-Overdrive Drive 2 White (with Black Upper Tubes) A2-A3 (2013-2014)
ns	11.4018.008.273	CSU SID/Reba Solo Air 29 46 Off-Set Aluminum T2-Overdrive Drive 2 Diffusion Black (with Black Upper Tubes) A2-A3 (2013-2014)
3	11.4306.531.000	SID Carbon Steerer Tube Expander Plug
4	11.4015.489.010	Dust Seal/Foam Ring Grey 32mm Seal, 5mm Foam Ring - SID 2011-2013 /Reba 2012-2013
4	11.4018.028.001	Dust Seal/Foam Ring Black 32mm Seal, 5mm Foam Ring - SID A1-A3 /Reba A2-A3
5	11.4015.491.010	Hydraulic Hose Clamp, Lower Leg - 2011-2014 SID (100/120mm only)/2014 Reba/2011-2014 Revelation 15mm/2011-2014 Sektor 15mm
6	11.4015.292.000	Shaft Fastener Kit (rebound shaft bolt/dual air nut) - 2008-2012 SID/2009-2011 Reba 29'/2012 Reba
7	11.4015.293.000	Rebound Damper Adjuster Knob/Shaft Bolt Kit - 2008-2014 SID/2012-2014 Reba
ns	11.4015.294.010	Compression Knob (set screw)/Floodgate Adjuster Knob Carbon, Black Box Motion Control - SID Reba (2009-2011)
ns	11.4015.295.010	Compression Remote Spool 17mm (set screw)/Floodgate Adjuster Knob/Cable Clamp, Black Box Motion Control - SID Reba 09-11 (not compatible with 2013 PushLoc 10mm)
ns	11.4015.294.000	Compression Knob (set screw)/External Floodgate Adjuster Knob Alum, Motion Control - SID RLT (2009-2011)/Reba RLT (2011-2012)/Revelation RLT (2011-2012)
ns	11.4015.295.000	Compression Remote Spool 17mm (set screw)/External Floodgate Adj Knob/Cable Clamp, Motion Control-SIDRLT 09-11/RebaRLT 1 1-12/RevelationRLT 11-12 (not compatible w/13 PushLoc 10mm)
8	11.4015.547.040	Remote Spool Kit 17mm (includes cable clamp), Motion ControlDNA - SID RL/ Revelation RL A1-A3 (2012-2014)
8	11.4018.011.003	Remote Spool/Cable Clamp Kit SID RL/Revelation RL (10mmPull 2013+ Damper and PushLoc only) 2013-2014
9	11.4015.547.050	Remote Spool Kit 17mm (includes cable clamp), Motion ControlDNA - SID RLT/ Revelation RLT A1-A3 (2012-2014)
9	11.4018.011.005	Remote Spool/Cable Clamp Kit SID RLT/Revelation RLT (10mm Pull 2013+ Damper and PushLoc only) 2013-2014
10	11.4015.547.100	Knob Kit, Compression Damper, RCT3 - SID/REVELATION A1-A3 (2012-2014)
11	11.4015.547.020	Compression Knob Kit, Motion Control DNA - SID RL/ Revelation RL A1-A3 (2012-2014)
12	11.4015.547.030	Compression Knob Kit, Motion Control DNA - SID RLT/Revelation RLT A1-A3 (2012-2014)
13	11.4015.544.010	Compression Damper, Crown Adjust, Motion Control DNA (includes comp knob) - SID/Reba RL (120mm only) A1-A3 2012-2014
14	11.4015.544.050	Compression Damper, Crown Adjust, Motion Control DNA (includes comp and floodgate knobs) - SIDB/Reba RLT (120mm only) A1-A3 (2012-2014)
15	11.4015.544.070	Compression Damper, Crown Adjust, Motion Control RCT3 DNA (includes comp switch and low speed comp knob) - SIDB RCT3 (120mm chassis only) A1-A2 (2012-2013)
16	11.4015.544.020	Compression Damper, Remote Adjust 17mm, Motion Control DNA (includes remote spool and cable clamp) - SIDB/Reba RL (120mm only) A1-A3 (2012-2014)
16	11.4015.544.210	Compression Damper, Remote Adjust 10mm, Motion Control DNA, Silver - SIDB/Reba RL (includes remote spool and cable clamp; compatible with 2013+ PushLocs only) A2-A3 (2013-2014)
16	11.4015.544.230	Compression Damper, Remote Adjust 10mm, Motion Control DNA, Black - SIDB/Reba RL (includes remote spool and cable clamp; compatible with 2013+ PushLocs only) A2-A3 (2013-2014)
17	11.4015.544.060	Compression Damper, Remote Adjust 17mm, Motion Control DNA Threshold (includes remote spool, cable clamp and floodgate knob) - SIDB/Reba RLT (120mm only) A1-A3 (2012-2014)
17	11.4015.544.220	Compression Damper, Remote Adjust 10mm, Motion Control DNA, Silver - SIDB/Reba RLT (includes remote spool and cable clamp; compatible with 2013+ PushLocs only) A2-A3 (2013-2014)
17	11.4015.544.240	Compression Damper, Remote Adjust 10mm, Motion Control DNA, Black - SIDB/Reba RLT (includes remote spool and cable clamp; compatible with 2013+ PushLocs only) A2-A3 (2013-2014)
18	11.4015.544.080	Compression Damper, Remote, Motion Control XX DNA - SIDXX/XXWorld Cup (120mm chassis only) (includes banjo retaining ring) A1-A3 (2012-2014)
19	11.4015.544.270	Compression Damper, Motion Control DNA, Crown Adjust - SID RCT3 Black (includes compression knobs) A3 2014
19	11.4015.544.280	Compression Damper, Motion Control DNA, Crown Adjust - SID RCT3 Silver (includes compression knobs) A3 2014
20a	00.4318.002.005	Remote Upgrade Kit - 2013 PushLoc Remote Kit Left MMX (includes: PushLoc Left, MatchMaker knuckle, cable & housing)
20b	00.4318.002.006	Remote Upgrade Kit - 2013 PushLoc Remote Kit Right MMX (includes: PushLoc Right, MatchMaker knuckle, cable & housing)
21	11.4315.013.050	Remote XLoc Left Gold Adjuster (includes hose/banjo) 2014
21	11.4315.013.060	Remote XLoc Right Gold Adjuster (includes hose/banjo) 2014
22	11.4315.013.070	Remote XLoc Full Sprint Left Gold Adjuster (includes hose/banjo)
22	11.4315.013.080	Remote XLoc Full Sprint Right Gold Adjuster (includes hose/banjo)
23	11.4315.014.010	Button/Boot/Master Piston Assembly, XLoc Left
23	11.4315.014.020	Button/Boot/Master Piston Assembly, XLoc Right
23	11.4318.007.000	Button/Boot/Master Piston Assembly, XLoc Full Sprint, Gold Adjuster
24	11.4315.016.010	Clamp/Bracket Hardware, XLoc Left, Ti Hardware
24	11.4315.016.020	Clamp/Bracket Hardware, XLoc Right, Ti Hardware
25	11.4315.017.000	Floodgate Adjuster Assembly, Xloc - Silver Adjuster
25	11.4318.008.000	Floodgate Adjuster Assembly, Xloc Sprint/Full Sprint- 2014/Gold Adjuster
26	11.4315.018.000	Banjo/Retaining Ring, Xloc Qty 1 - Silver Adjuster
26	11.4318.009.000	Banjo/Retaining Ring, Xloc Sprint/Full Sprint Qty 1 - 2014/Gold Adjuster
27	11.4315.019.000	XLoc Remote Service Kit
ns	11.4318.006.000	XLoc Full Sprint Remote Service Kit
ns	11.4318.005.000	Connectamajig Collar Suspension Black - Reverb/XLoc Full sprint
28	11.4015.434.010	Hydraulic Hose XLoc 460mm Qty 2 (use with suspension fluid only) - Silver Adjuster
28	11.4015.434.020	Hydraulic Hose XLoc 460mm Qty 10 (use with suspension fluid only) - Silver Adjuster
28	11.4015.434.030	Hydraulic Hose XLoc 500mm Qty 2 (use with suspension fluid only) - Sprint/Full Sprint, 2014/ Gold Adjuster
28	11.4015.434.040	Hydraulic Hose XLoc 500mm Qty 10 (use with suspension fluid only) - Sprint/Full Sprint, 2014/ Gold Adjuster
ns	11.4315.011.030	ROCKSHOX Bleed Kit (XLoc/Totem) Qty 2 (includes two syringes and fittings, one torx tool)
29	11.4015.549.010	Rebound Damper and Seal Head Assembly/Shaft Bolt (120mm max travel) - Reba/SIDB 26" (120mm chassis only) A1-A3 (2012-2014)
29	11.4015.549.020	Rebound Damper and Seal Head Assembly/Shaft Bolt (100mm max travel) - Reba/SIDB 26" (120mm chassis only) A1-A3 (2012-2014)
29	11.4015.549.040	Rebound Damper and Seal Head Assembly/Shaft Bolt (120mm max travel) - Reba/SIDB 27.5/650B,29" A1-A2 (2012-2013)
29	11.4018.025.001	Rebound Damper and Seal Head Assembly/Shaft Bolt- SID 26 A3 (2014)
29	11.4018.025.002	Rebound Damper and Seal Head Assembly/Shaft Bolt- SID 27.5/ 29 A3 (2014)
30	11.4015.353.010	Seal Head Assembly (Rebound Damper, Motion Control) - SIDA/Reba2009-2014
31	11.4018.012.002	Air Top Cap, Reba/SID/Revelation Black (32mm aluminum upper tubes only)
31	11.4018.012.003	Air Top Cap, Reba/SID/Revelation Silver (32mm aluminum upper tubes only)

SID B - 80mm-120mm (A1-A3/2011-2014)



No.	Part Number	Description
32	11.4015.546.040	Spring Assembly (Dual Air) and Air Top Cap Kit (120mm max travel) - 2012 Reba/SIDB 26" (120mm chassis only; not compatible with 2013 Solo Air CSU)
32	11.4015.546.050	Spring Assembly (Dual Air) and Air Top Cap Kit (110mm max travel) - 2012 Reba/SIDB 29" (120mm chassis only; not compatible with 2013 Solo Air CSU)
33	11.4018.010.046	Spring Internals Left Solo Air Reba/SIDB 27.5/650b, 29 120 Black (includes air top cap, solo air spring and shaft bolt; not compatible with Dual Air CSU) A2-A3 (2013-2014)
33	11.4018.010.047	Spring Internals Left Solo Air Reba/SIDB 27.5/650b, 29 120 Silver (includes air top cap, solo air spring and shaft bolt; not compatible with Dual Air CSU) A2-A3 (2013-2014)
33	11.4018.010.048	Spring Internals Left Solo Air Reba/SIDB 29 110 Black (includes air top cap, solo air spring and shaft bolt; not compatible with Dual Air CSU) A2-A3 (2013-2014)
33	11.4018.010.049	Spring Internals Left Solo Air Reba/SIDB 29 110 Silver (includes air top cap, solo air spring and shaft bolt; not compatible with Dual Air CSU) A2-A3 (2013-2014)
33	11.4018.010.050	Spring Internals Left Solo Air Reba/SIDB 27.5/650b, 29 100 Black (includes air top cap, solo air spring and shaft bolt; not compatible with Dual Air CSU) A2-A3 (2013-2014)
33	11.4018.010.051	Spring Internals Left Solo Air Reba/SIDB 27.5/650b, 29 100 Silver (includes air top cap, solo air spring and shaft bolt; not compatible with Dual Air CSU) A2-A3 (2013-2014)
33	11.4018.010.052	Spring Internals Left Solo Air Reba/SIDB 29 90 Black (includes air top cap, solo air spring and shaft bolt; not compatible with Dual Air CSU) A2-A3 (2013-2014)
33	11.4018.010.053	Spring Internals Left Solo Air Reba/SIDB 29 90 Silver (includes air top cap, solo air spring and shaft bolt; not compatible with Dual Air CSU) A2-A3 (2013-2014)
33	11.4018.010.054	Spring Internals Left Solo Air Reba/SIDB 29 80 Black (includes air top cap, solo air spring and shaft bolt; not compatible with Dual Air CSU) A2-A3 (2013-2014)
33	11.4018.010.055	Spring Internals Left Solo Air Reba/SIDB 29 80 Silver (includes air top cap, solo air spring and shaft bolt; not compatible with Dual Air CSU) A2-A3 (2013-2014)
33	11.4018.010.056	Spring Internals Left Solo Air Reba/SIDB 26 120 Black (includes air top cap, solo air spring and shaft bolt; not compatible with Dual Air CSU) A2-A3 (2013-2014)
33	11.4018.010.057	Spring Internals Left Solo Air Reba/SIDB 26 120 Silver (includes air top cap, solo air spring and shaft bolt; not compatible with Dual Air CSU) A2-A3 (2013-2014)
33	11.4018.010.058	Spring Internals Left Solo Air Reba/SIDB 26 110 Black (includes air top cap, solo air spring and shaft bolt; not compatible with Dual Air CSU) A2-A3 (2013-2014)
33	11.4018.010.059	Spring Internals Left Solo Air Reba/SIDB 26 110 Silver (includes air top cap, solo air spring and shaft bolt; not compatible with Dual Air CSU) A2-A3 (2013-2014)
33	11.4018.010.060	Spring Internals Left Solo Air Reba/SIDB 26 100 Black (includes air top cap, solo air spring and shaft bolt; not compatible with Dual Air CSU) A2-A3 (2013-2014)
33	11.4018.010.061	Spring Internals Left Solo Air Reba/SIDB 26 100 Silver (includes air top cap, solo air spring and shaft bolt; not compatible with Dual Air CSU) A2-A3 (2013-2014)
33	11.4018.010.062	Spring Internals Left Solo Air Reba/SIDB 26 90 Black (includes air top cap, solo air spring and shaft bolt; not compatible with Dual Air CSU) A2-A3 (2013-2014)
33	11.4018.010.063	Spring Internals Left Solo Air Reba/SIDB 26 90 Silver (includes air top cap, solo air spring and shaft bolt; not compatible with Dual Air CSU) A2-A3 (2013-2014)
33	11.4018.010.064	Spring Internals Left Solo Air Reba/SIDB 26 80 Black (includes air top cap, solo air spring and shaft bolt; not compatible with Dual Air CSU) A2-A3 (2013-2014)
33	11.4018.010.065	Spring Internals Left Solo Air Reba/SIDB 26 80 Silver (includes air top cap, solo air spring and shaft bolt; not compatible with Dual Air CSU) A2-A3 (2013-2014)
34	11.4018.021.000	Air Shaft Reba/SIDB 120mm travel 27.5"/(29"-A3) (can be used to change travel to 120mm on 27.5"/(29" 2014/A3) Solo Air, not compatible with pre 2014/A3 29" or Dual Air)
34	11.4018.021.001	Air Shaft Reba/SIDB 110mm travel 27.5"/29" (can be used to change travel to 110mm on 27.5"/29" Solo Air, not compatible with Dual Air)
34	11.4018.021.002	Air Shaft Reba/SIDB 100mm travel 27.5"/29" (can be used to change travel to 100mm on 27.5"/29" Solo Air, not compatible with Dual Air)
34	11.4018.021.003	Air Shaft Reba/SIDB 90mm travel 27.5"/29" (can be used to change travel to 90mm on 27.5"/29" Solo Air, not compatible with Dual Air)
34	11.4018.021.004	Air Shaft Reba/SIDB 80mm travel 27.5"/29" (can be used to change travel to 80mm on 27.5"/29" Solo Air, not compatible with Dual Air)
34	11.4018.021.005	Air Shaft Reba/SIDB 120mm travel 26" (can be used to change travel to 120mm on 26" Solo Air, not compatible with Dual Air)
34	11.4018.021.006	Air Shaft Reba/SIDB 110mm travel 26" (can be used to change travel to 110mm on 26" Solo Air, not compatible with Dual Air)
34	11.4018.021.007	Air Shaft Reba/SIDB 100mm travel 26" (can be used to change travel to 100mm on 26" Solo Air, not compatible with Dual Air)
34	11.4018.021.008	Air Shaft Reba/SIDB 90mm travel 26" (can be used to change travel to 90mm on 26" Solo Air, not compatible with Dual Air)
34	11.4018.021.009	Air Shaft Reba/SIDB 80mm travel 26" (can be used to change travel to 80mm on 26" Solo Air, not compatible with Dual Air)
35	11.4015.450.000	All-Travel Spacer Kit (not compatible with SID/Reba/Revelation Solo Air Spring)
36	00.4318.005.001	Maxle Lite 15mm Black (compatible with all RockShox 15mm TA) B1
37	11.4318.004.000	Maxle Lite Lever Assembly B1
ns	11.4315.010.010	Lever/Wedge Kit, Rear Maxle Lite 135/150mm (axle body)/MaxleLite 15mm (front) - Black Lever 2010-2013
38	00.4318.004.001	Remote Upgrade Kit, Xloc Full Sprint, SIDB, Left, MMX, Black (includes Motion Control X DNA comp damper, rear shock hydr aulic hose, bleed syringes)
38	00.4318.004.002	Remote Upgrade Kit, Xloc Full Sprint, SIDB, Right, MMX, Black (includes Motion Control X DNA comp damper, rear shock hydraulic hose, bleed syringes)
39	00.4318.004.005	Remote Upgrade Kit, XLoc Sprint, SIDB, Left, MMX, Black (includes Motion Control X DNA comp damper, bleed syringes)
39	00.4318.004.006	Remote Upgrade Kit, XLoc Sprint, SIDB, Right, MMX, Black (includes Motion Control X DNA comp damper, bleed syringes)
40	00.4318.002.003	Remote Upgrade Kit - 2012-2013 SIDB RLT (120) - MotionControl DNA - Includes Remote Compression Damper and PushLoc Remote Right MMX
41	11.4308.327.002	Schrader Valve Core Qty 2
ns	11.4015.494.000	SID Service Kit (120mm) Dual Air
ns	11.4018.018.001	Service Kit Full (includes solo air and damper seals, hardware & Black Seals) - SID/Reba Solo Air A2-A3 (2013-2014)
ns	00.4315.032.430	AM Fork Service Kit, Basic (includes dust seals, foam rings,o-ring seals) - SID A3
ns	11.4318.003.299	Decal Kit SID 26 Silver/White Lower Leg A3
ns	11.4318.003.300	Decal Kit SID 26 Silver/Black Lower Leg A3
ns	11.4318.003.301	Decal Kit SID 26 Silver/Diffusion Black Lower Leg A3
ns	11.4318.003.302	Decal Kit SID 27.5 Silver/White Lower Leg A3
ns	11.4318.003.303	Decal Kit SID 27.5 Silver/Black Lower Leg A3
ns	11.4318.003.304	Decal Kit SID 27.5 Silver/Diffusion Black Lower Leg A3
ns	11.4318.003.305	Decal Kit SID 29 Silver/White Lower Leg A3
ns	11.4318.003.306	Decal Kit SID 29 Silver/Black Lower Leg A3
ns	11.4318.003.307	Decal Kit SID 29 Silver/Diffusion Black Lower Leg A3
bulk	11.4015.259.000	Crush Washer 8mm, Qty 50
bulk	11.4015.260.000	Crush Washer Retainer, Qty 50
bulk	11.4310.695.000	Dust Seal 32mm Grey - SID/Revelation/Reba/Argyle/Sektor/Tora/Recon/XC32 QTY 20
bulk	11.4018.028.003	Dust Seal 32mm Black - SID/Reba/Revelation Qty 20
bulk	11.4015.496.010	Foam Ring 32mm x 5mm - SID A1-A3/Reba A2-A3 Qty 20
bulk	11.4015.301.020	Bushing Lower 32mm, Qty 20 - 2011 SID (32mmx25mm)
bulk	11.4015.301.030	Bushing Upper 32mm, Qty 20 - 2011 SID (32mmx15mm)
ns	00.4315.023.010	High-Pressure Fork/Shock Pump (300 psi Max) RockShox
ns	00.4315.022.010	Schrader Valve Removal Tool Rockshox



Note:

- 1. Full service kits include replaceable o-rings, glide rings, retaining rings, crush washers, crush washer retainers, lower leg bottom-out bumpers and shaft bolts/nuts. All air service kits include replacement schrader valve cores. Not all service parts are pictured. All basic service kits include the following replaceable wear items: o-rings, glide rings, dust seals, and foam rings.
- 2. Rebound damper and spring shaft kits include crush washers, crush washer retainers and shaft bolts, as well as upper tube retaining rings and rebound adjuster knob.
- 3. Damper side = rider's right. Spring side = rider's left.
- 4. Convert from Crown Adjust to Remote Adjust: Remote compression damper requires remote compression adjuster spool, and remote lever assembly.
- 5. All lower legs include bottom-out bumpers, bushings, foam rings and dust seals installed.
- 6. Solo Air internals require Solo Air CSU; Solo Air internals are not compatible with Dual Air CSU. Dual Air internals require Dual Air CSU; Dual Air internals are not compatible with Solo Air CSU.
- 7. Revelation RCT3 A3 (2014) compression damper must be used with Revelation A3 rebound damper (with Rapid Recovery valving). Revelation RCT3 A2 (2012-2013) compression damper is not compatible with Revelation RCT3 A3 compression damper.
- 8. 2011-2012 XLoc remote uses 2.5wt suspension fluid. 2013-2014 XLoc remote uses Reverb hydraulic fluid. Use fluid indicated on fork top cap.
- 9. Refer to the RockShox Technical Manual (www.sram.com) for oil volumes, air pressure settings and torque values.

REVELATION (A1-A3/2010-2014)



No.	Part Number	Description
1a	11.4015.395.010	Lower Leg 26", 9mm QR, White - 2010-2014 Revelation/2011-2014 Sektor (no decals)
1a	11.4015.395.020	Lower Leg 26", 9mm QR, Black - 2010-2014 Revelation/2011-2014 Sektor (no decals)
1a	11.4018.006.178	Lower Leg Revelation 26Q Disc Black (decals not included) A1-A3 (2010-2014)
1a	11.4018.006.179	Lower Leg Revelation 26Q Disc White (decals not included) A1-A3 (2010-2014)
1a	11.4018.006.180	Lower Leg Revelation 26Q Disc Diffusion Black (decals not included) A1-A3 (2010-2014)
1a	11.4018.006.003	Lower Leg 26", 9mm QR, Keronite Grey/Safety Silver - 2010-2013 Revelation
1b	11.4015.395.030	Lower Leg 26", Maxle Lite 20mm, White - 2010-2014 Revelation/2011-2014 Sektor (no decals)
1b	11.4015.395.040	Lower Leg 26", Maxle Lite 20mm, Black - 2010-2014 Revelation/2011-2014 Sektor (no decals)
1c	11.4015.395.050	Lower Leg 26", Maxle Lite 15mm, White 2010-2014 Revelation/2011-2014 Sektor/2012-2014 Recon Gold (no decals)
1c	11.4015.395.060	Lower Leg 26", Maxle Lite 15mm, Black 2010-2014 Revelation/2011-2014 Sektor/2012-2014 Recon Gold (no decals)
1c	11.4015.395.070	Lower Leg 26", Maxle Lite 15mm, Difussion Black 2010-2014 Revelation/2011-2014 Sektor/2012-2014 Recon Gold (no decals)
1c	11.4018.006.181	Lower Leg Revelation 2615 Disc Black (decals not included) A1-A3 (2010-2014)
1c	11.4018.006.182	Lower Leg Revelation 2615 Disc White (decals not included) A1-A3 (2010-2014)
1c	11.4018.006.183	Lower Leg Revelation 2615 Disc Diffusion Black (decals not included) A1-A3 (2010-2014)
1c	11.4018.006.007	Lower Leg 26", Maxle 15mm, Keronite Grey/Safety Silver - 2010-2013 Revelation
1d	11.4018.006.184	Lower Leg Revelation 27.5/650B, Maxle 15 Disc Black (decals not included) A1-A3 (2010-2014)
1d	11.4018.006.185	Lower Leg Revelation 27.5/650B, Maxle 15 Disc White (decals not included) A1-A3 (2010-2014)
1d	11.4018.006.186	Lower Leg Revelation 27.5/650B, Maxle 15 Disc Diffusion Black (decals not included) A1-A3 (2010-2014)
1e	11.4018.006.084	Lower Leg Sektor/Recon 2029 Disc Black
1e	11.4018.006.085	Lower Leg Sektor/Recon 2029 Disc White
1e	11.4018.006.086	Lower Leg Sektor/Recon 2029 Disc Diffusion Black
1f	11.4018.006.187	Lower Leg Revelation 2915 Disc Black (decals not included) A1-A3 (2010-2014)
1f	11.4018.006.188	Lower Leg Revelation 2915 Disc White (decals not included) A1-A3 (2010-2014)
1f	11.4018.006.189	Lower Leg Revelation 2915 Disc Diffusion Black (decals not included) A1-A3 (2010-2014)
2	11.4015.491.010	Hydraulic Hose Clamp, Lower Leg - 2011-2014 SID (100/120mm only)/2014 Reba/2011-2014 Revelation 15mm/2011-2014 Revelation 15mm
3a	11.4015.396.140	CSU 26 Dual Air White 1 1/8" - 2012 Revelation (compatible with 2010-2011) (Dual Air only, not compatible with Solo Air spring assy)
3a	11.4015.396.150	CSU 26 Dual Air Black 1 1/8" - 2012 Revelation (compatible with 2010-2011) (Dual Air only, not compatible with Solo Air spring assy)
3a	11.4015.396.180	CSU 26 Dual Air White 1 1/8" - 2012 Revelation XX (compatible with 2010-2011) (Dual Air only, not compatible with Solo Air spring assy)
3a	11.4015.396.190	CSU 26 Dual Air Black 1 1/8" - 2012 Revelation XX (compatible with 2010-2011) (Dual Air only, not compatible with Solo Air spring assy)
3b	11.4015.396.160	CSU 26 Dual Air White Tapered - 2012 Revelation (compatible with 2010-2011) (Dual Air only, not compatible with Solo Air spring assy)
3b	11.4015.396.170	CSU 26 Dual Air Black Tapered - 2012 Revelation (compatible with 2010-2011) (Dual Air only, not compatible with Solo Air spring assy)
3b	11.4015.396.200	CSU 26 Dual Air White Tapered - 2012 Revelation XX (compatible with 2010-2011) (Dual Air only, not compatible with Solo Air spring assy)
3b	11.4015.396.210	CSU 26 Dual Air Black Tapered - 2012 Revelation XX (compatible with 2010-2011) (Dual Air only, not compatible with Solo Air spring assy)
3b	11.4015.396.220	CSU 26 Dual Air Carbon Tapered - Revelation 12 World Cup Dual Air/13 World Cup DPA (not compatible with Solo Air spring assy)
3b	11.4015.396.230	CSU 26 Dual Air Carbon Tapered - Revelation 12 XX World Cup Dual Air, DPA/13 XX World Cup DPA (not compatible with Solo Air spring assy)
3b	11.4015.396.240	CSU Dual Air 12 Revelation 29 Aluminum Black 510S Tapered (Dual Air only, not compatible with Solo Air)
3b	11.4015.396.250	CSU Dual Air 12 Revelation 29 Aluminum White 510S Tapered (Dual Air only, not compatible with Solo Air)
3b	11.4015.396.260	CSU Dual Air 12 Revelation XX 29 Aluminum Black 510S Tapered (Dual Air only, not compatible with Solo Air)
3b	11.4015.396.270	CSU Dual Air 12 Revelation XX 29 Aluminum White 510S Tapered (Dual Air only, not compatible with Solo Air)
3b	11.4015.396.280	CSU Dual Air 12 Revelation 29 Aluminum Diffusion Black 510S Tapered (Dual Air only, not compatible with Solo Air)
ns	11.4015.396.090	CSU, Air U-Turn, Black, 1.5" - 2010-2011 Revelation
ns	11.4015.396.100	CSU, 26 Dual Air/Dual Position Air, White, 1.5" - 2010-2011 Revelation (not compatible with Solo Air spring assy)
ns	11.4015.396.110	CSU, 26 Dual Air/Dual Position Air, Black, 1.5" - 2010-2011 Revelation (not compatible with Solo Air spring assy)
3a	11.4018.008.151	CSU 2013 Revelation Solo Air 26 11/8 Black (Solo Air only, not compatible with Dual Air)
3a	11.4018.008.152	CSU 2013 Revelation Solo Air 26 11/8 White (Solo Air only, not compatible with Dual Air)
3a	11.4018.008.153	CSU 2013 Revelation Solo Air 26 11/8 Diffusion Black (Solo Air only, not compatible with Dual Air)
3a	11.4018.008.154	CSU 2013 Revelation Dual Position Air 26 11/8 Black (not compatible with Dual Air)
3a	11.4018.008.155	CSU 2013 Revelation Dual Position Air 26 11/8 White (not compatible with Dual Air)
3a	11.4018.008.156	CSU 2013 Revelation Dual Position Air 26 11/8 Diffusion Black (not compatible with Dual Air)
3b	11.4018.008.145	CSU 2013 Revelation Solo Air 26 Taper Black (Solo Air only, not compatible with Dual Air)
3b	11.4018.008.146	CSU 2013 Revelation Solo Air 26 Taper White (Solo Air only, not compatible with Dual Air)
3b	11.4018.008.147	CSU 2013 Revelation Solo Air 26 Taper Diffusion Black (Solo Air only, not compatible with Dual Air)
3b	11.4018.008.148	CSU 2013 Revelation Dual Position Air 26 Taper Black (not compatible with Dual Air)
3b	11.4018.008.149	CSU 2013 Revelation Dual Position Air 26 Taper White (not compatible with Dual Air)
3b	11.4018.008.150	CSU 2013 Revelation Dual Position Air 26 Taper Diffusion Black (not compatible with Dual Air)
3b	11.4018.008.157	CSU 2013 Revelation Solo Air 29 46 Off-Set Taper Black (Solo Air only, not compatible with Dual Air)
3b	11.4018.008.158	CSU 2013 Revelation Solo Air 29 46 Off-Set Taper White (Solo Air only, not compatible with Dual Air)
3b	11.4018.008.159	CSU 2013 Revelation Solo Air 29 46 Off-Set Taper Diffusion Black (Solo Air only, not compatible with Dual Air)
3b	11.4018.008.160	CSU 2013 Revelation Dual Position Air 29 46 Off-Set Taper Black (not compatible with Dual Air)
3b	11.4018.008.161	CSU 2013 Revelation Dual Position Air 29 46 Off-Set Taper White (not compatible with Dual Air)
3b	11.4018.008.162	CSU 2013 Revelation Dual Position Air 29 46 Off-Set Taper Diffusion Black (not compatible with Dual Air)
3b	11.4018.008.163	CSU 2013 Revelation Solo Air 26 Carbon Taper (Solo Air only, not compatible with Dual Air)
3b	11.4018.008.164	CSU 2013 Revelation Solo Air 27.5/650B 42 Off-Set Taper Black (Solo Air only, not compatible with Dual Air)
3b	11.4018.008.165	CSU 2013 Revelation Solo Air 27.5/650B 42 Off-Set Taper White (Solo Air only, not compatible with Dual Air)
3b	11.4018.008.166	CSU 2013 Revelation Solo Air 27.5/650B 42 Off-Set Taper Diffusion Black (Solo Air only, not compatible with Dual Air)
3b	11.4018.008.167	CSU 2013 Revelation Dual Position Air 27.5/650B 42 Off-Set Taper Black (not compatible with Dual Air)
3b	11.4018.008.168	CSU 2013 Revelation Dual Position Air 27.5/650B 42 Off-Set Taper White (not compatible with Dual Air)
3b	11.4018.008.169	CSU 2013 Revelation Dual Position Air 27.5/650B 42 Off-Set Taper Diffusion Black (not compatible with Dual Air)
3a	11.4018.008.274	CSU Revelation Solo Air 26 Aluminum 11/8 Black (with Black Upper Tubes) A2-A3 (2013-2014)
3a	11.4018.008.275	CSU Revelation Solo Air 26 Aluminum 11/8 White (with Black Upper Tubes) A2-A3 (2013-2014)
3a	11.4018.008.276	CSU Revelation Solo Air 26 Aluminum 11/8 Diffusion Black (with Black Upper Tubes) A2-A3 (2013-2014)
3a	11.4018.008.277	CSU Revelation Dual Position Air 26 Aluminum 11/8 Black (with Black Upper Tubes) A2-A3 (2013-2014)
3a	11.4018.008.278	CSU Revelation Dual Position Air 26 Aluminum 11/8 White (with Black Upper Tubes) A2-A3 (2013-2014)
3a	11.4018.008.279	CSU Revelation Dual Position Air 26 Aluminum 11/8 Diffusion Black (with Black Upper Tubes) A2-A3 (2013-2014)
3b	11.4018.008.280	CSU Revelation Solo Air 26 Aluminum Taper Black (with Black Upper Tubes) A2-A3 (2013-2014)
3b	11.4018.008.281	CSU Revelation Solo Air 26 Aluminum Taper White (with Black Upper Tubes) A2-A3 (2013-2014)
3b	11.4018.008.282	CSU Revelation Solo Air 26 Aluminum Taper Diffusion Black (with Black Upper Tubes) A2-A3 (2013-2014)
3b	11.4018.008.283	CSU Revelation Solo Air 26 Carbon Taper Black (with Black Upper Tubes) A2-A3 (2013-2014)
3b	11.4018.008.284	CSU Revelation Solo Air 26 Carbon Taper Diffusion Black (with Black Upper Tubes) A2-A3 (2013-2014)
3b	11.4018.008.285	CSU Revelation Dual Position Air 26 Aluminum Taper Black (with Black Upper Tubes) A2-A3 (2013-2014)
3b	11.4018.008.286	CSU Revelation Dual Position Air 26 Aluminum Taper White (with Black Upper Tubes) A2-A3 (2013-2014)
3b	11.4018.008.287	CSU Revelation Dual Position Air 26 Aluminum Taper Diffusion Black (with Black Upper Tubes) A2-A3 (2013-2014)
3b	11.4018.008.288	CSU Revelation Dual Position Air 26 Carbon Taper Black (with Black Upper Tubes) A2-A3 (2013-2014)
3b	11.4018.008.289	CSU Revelation Dual Position Air 26 Carbon Taper Diffusion Black (with Black Upper Tubes) A2-A3 (2013-2014)

REVELATION (A1-A3/2010-2014)

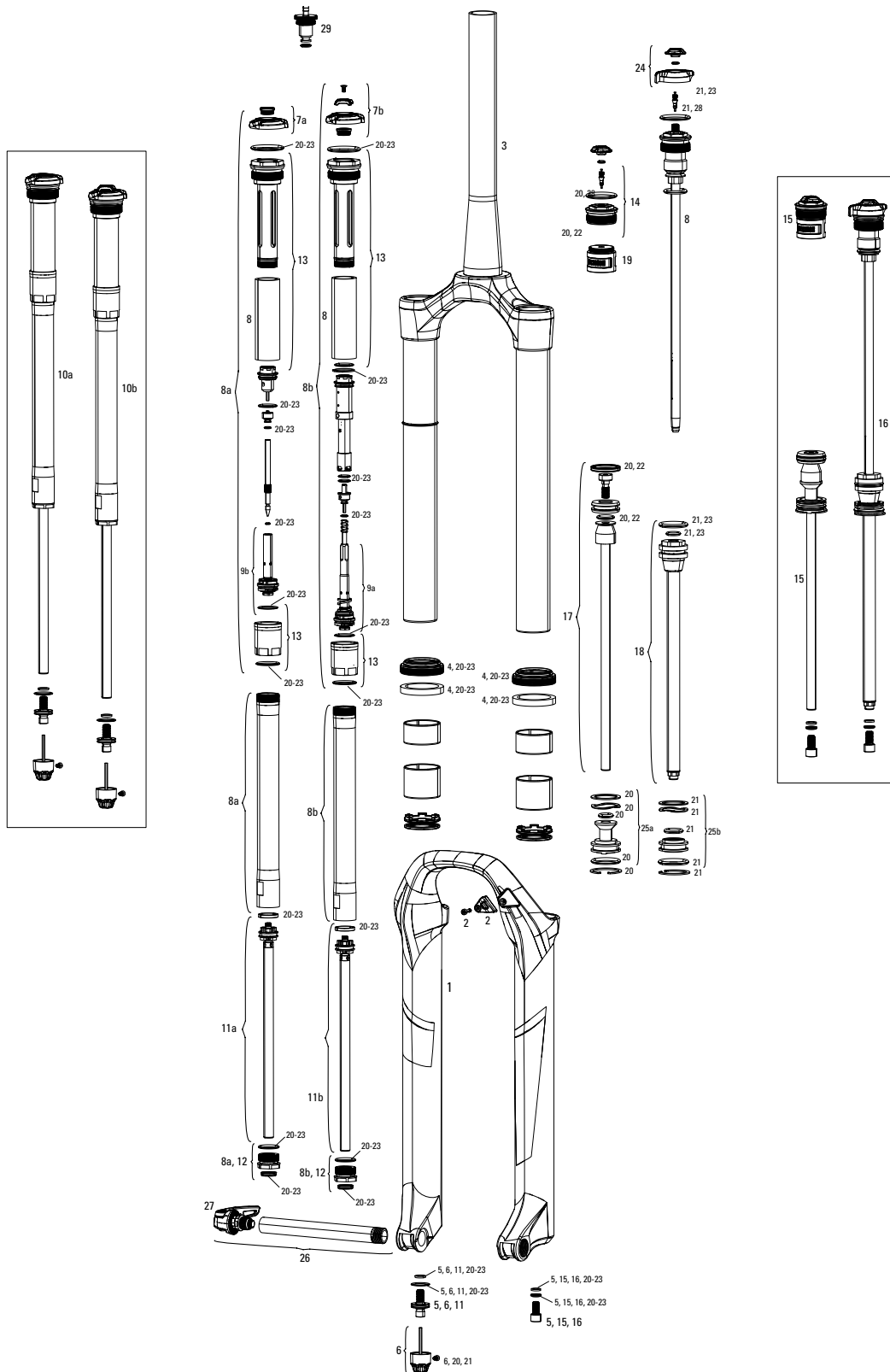


No.	Part Number	Description
3b	11.4018.008.290	CSU Revelation Solo Air 27.5 Aluminum Taper Black (with Black Upper Tubes) A2-A3 (2013-2014)
3b	11.4018.008.291	CSU Revelation Solo Air 27.5 Aluminum Taper White (with Black Upper Tubes) A2-A3 (2013-2014)
3b	11.4018.008.292	CSU Revelation Solo Air 27.5 Aluminum Taper Diffusion Black (with Black Upper Tubes) A2-A3 (2013-2014)
3b	11.4018.008.293	CSU Revelation Dual Position Air 27.5 Aluminum Taper Black (with Black Upper Tubes) A2-A3 (2013-2014)
3b	11.4018.008.294	CSU Revelation Dual Position Air 27.5 Aluminum Taper White (with Black Upper Tubes) A2-A3 (2013-2014)
3b	11.4018.008.295	CSU Revelation Dual Position Air 27.5 Aluminum Taper Diffusion Black (with Black Upper Tubes) A2-A3 (2013-2014)
3b	11.4018.008.296	CSU Revelation Solo Air 29 46 Off-Set Aluminum Taper Black (with Black Upper Tubes) A2-A3 (2013-2014)
3b	11.4018.008.297	CSU Revelation Solo Air 29 46 Off-Set Aluminum Taper White (with Black Upper Tubes) A2-A3 (2013-2014)
3b	11.4018.008.298	CSU Revelation Solo Air 29 46 Off-Set Aluminum Taper Diffusion Black (with Black Upper Tubes) A2-A3 (2013-2014)
3b	11.4018.008.299	CSU Revelation Dual Position Air 29 46 Off-Set Aluminum Taper Black (with Black Upper Tubes) A2-A3 (2013-2014)
3b	11.4018.008.300	CSU Revelation Dual Position Air 29 46 Off-Set Aluminum Taper White (with Black Upper Tubes) A2-A3 (2013-2014)
3b	11.4018.008.301	CSU Revelation Dual Position Air 29 46 Off-Set Aluminum Taper Diffusion Black (with Black Upper Tubes) A2-A3 (2013-2014)
3b	11.4018.008.302	CSU Revelation Solo Air 29 51 Off-Set Aluminum Taper Black (with Black Upper Tubes) A2-A3 (2013-2014)
3b	11.4018.008.303	CSU Revelation Solo Air 29 51 Off-Set Aluminum Taper White (with Black Upper Tubes) A2-A3 (2013-2014)
3b	11.4018.008.304	CSU Revelation Solo Air 29 51 Off-Set Aluminum Taper Diffusion Black (with Black Upper Tubes) A2-A3 (2013-2014)
3b	11.4018.008.305	CSU Revelation Dual Position Air 29 51 Off-Set Aluminum Taper Black (with Black Upper Tubes) A2-A3 (2013-2014)
3b	11.4018.008.306	CSU Revelation Dual Position Air 29 51 Off-Set Aluminum Taper White (with Black Upper Tubes) A2-A3 (2013-2014)
4	11.4018.008.307	CSU Revelation Dual Position Air 29 51 Off-Set Aluminum Taper Diffusion Black (with Black Upper Tubes) A2-A3 (2013-2014)
4	11.4310.290.000	Dust Seal/Foam Ring Grey 32mm Seal, 10mm Foam Ring-Revelation/Argyle/Sektor/Tora/Recon/XC32
5	11.4018.028.000	Dust Seal/Foam Ring Black 32mm Seal, 10mm Foam Ring - Revelation A3
5	11.4015.405.010	Lower Leg Bushing Kit - 2010-2011 Revelation/2011 Sektor (Upper 15mm x Lower 30mm)
6a	11.4015.403.010	Shaft Fastener Kit, Aluminum - 2010-2011 Revelation
6b	11.4015.404.010	Rebound Adjuster Knob/Bolt Kit, Aluminum Red Long (use with Maxle lower leg)
7	11.4015.318.000	Rebound Damper Adjuster Knob Long/Bolt (Aluminum Red) - Tora/Recon/Reba/Revelation 27/29"
8	11.4018.011.003	Remote Spool/Cable Clamp Kit SID RL/Revelation RL (10mm Pull 2013+ Damper and PushLoc only) 2013-2014
ns	11.4018.011.005	Remote Spool/Cable Clamp Kit SID RLT/Revelation RLT (10mm Pull 2013+ Damper and PushLoc only) 2013-2014
ns	11.4015.314.000	Compression Knob (set screw)/Internal Floodgate Cap Aluminum, Motion Control - Reba Revelation (2009-2011)
ns	11.4015.314.010	Compression Remote Spool 17mm (set screw)/Internal Floodgate Cap/Cable Clamp Remote Aluminum, Motion Control - Reba Revelation (2009-2011)
ns	11.4015.294.000	Compression Knob (set screw)/External Floodgate Adjuster Knob Alum, Motion Control - SID RLT (2009-2011)/Reba RLT (2011-2012)/Revelation RLT (2011-2012)
ns	11.4015.295.000	Compression Remote Spool 17mm (set screw)/External Floodgate Adj Knob/Cable Clamp, Motion Control-SIDRLT 09-11/RebaRLT 1 1-12/RevelationRLT 11-12 (not compatible w/13 PushLoc 10mm)
ns	11.4015.294.010	Compression Knob (set screw)/Floodgate Adjuster Knob Carbon, Black Box Motion Control - SID Reba (2009-2011)
9	11.4015.295.010	Compression Remote Spool 17mm (set screw)/Floodgate Adjuster Knob/Cable Clamp, Black Box Motion Control - SID Reba 09-11 (not compatible with 2013 PushLoc 10mm)
10	11.4015.547.020	Compression Knob Kit, Motion Control DNA - SID RL/ Revelation RL A1-A3 (2012-2014)
11	11.4015.547.030	Compression Knob Kit, Motion Control DNA - SID RLT/Revelation RLT A1-A3 (2012-2014)
12	11.4015.547.040	Remote Spool Kit 17mm (includes cable clamp), Motion Control DNA - SID RL/ Revelation RL A1-A3 (2012-2014)
13	11.4015.547.050	Remote Spool Kit 17mm (includes cable clamp), Motion Control DNA - SID RLT/ Revelation RLT A1-A3 (2012-2014)
13	11.4015.547.010	Compression Knob Kit, Motion Control DNA - 2012 SID RCT3/WC / 2012 Revelation RCT3/WC
14	11.4015.547.100	Knob Kit, Compression Damper, RCT3 - SID/REVELATION A1-A3 (2012-2014)
15	11.4015.544.090	Compression Damper, Motion Control DNA, Crown Adjust - Revelation RL (includes compression knob) A1-A3 (2012-2014)
16	11.4015.544.110	Compression Damper, Motion Control DNA, Crown Adjust - Revelation RLT (includes compression knob) A1-A3 (2012-2014)
16	11.4015.544.100	Compression Damper, Motion Control DNA, Remote Adjust 17mm - Revelation RL (includes remote spool and cable clamp) A1-A3 (2012-2014)
17	11.4015.544.250	Compression Damper, Motion Control, Remote Adjust 10mm - Revelation RL (includes remote spool and cable clamp; compatible with 2013+ PushLocs only) A2-A3 (2013-2014)
17	11.4015.544.120	Compression Damper, Motion Control DNA, Remote Adjust 17mm - Revelation RLT (includes remote spool and cable clamp) A1-A3 (2012-2014)
17	11.4015.544.260	Compression Damper, Motion Control Threshold, Remote Adjust 10mm - Revelation RLT (includes remote spool and cable clamp; compatible with 2013+ PushLocs only) A2-A3 (2013-2014)
ns	11.4015.544.130	Compression Damper, Motion Control DNA, Crown Adjust - Revelation RCT3 (includes compression knobs) A1-A2 (2012-2013)
18	11.4015.544.290	Compression Damper, Motion Control DNA, Crown Adjust - Revelation RCT3 Black (includes compression knobs) A3 2014
19	11.4015.544.300	Compression Damper, Motion Control DNA, Crown Adjust - Revelation RCT3 Silver (includes compression knobs) A3 2014
ns	11.4015.544.200	Compression Damper, Motion Control XX DNA, Remote - Revelation/SID 80/100 XXWC 11/8" (includes banjo retaining ring) A1-A3 (2012-2014)
20	11.4418.007.002	Compression Damper, Revelation 26/29 Specialized RCT3 Motion Control Threshold, Crown Adjust - 2014
20	11.4015.545.030	Rebound Damper and Seal Head Assembly/Shaft Bolt (150mm max travel) - Revelation 26", 27.5/650B, 29" 2010-2013
21	11.4018.025.003	Rebound Damper and Seal Head Assembly/Shaft Bolt - Revelation 26/ 27.5/ 29 A3 (2014)
ns	11.4015.353.010	Seal Head Assembly (Rebound Damper, Motion Control) - SIDA/Reba2009-2014
ns	11.4308.848.000	PopLoc Lever Left (17mm cable pull, not compatible with 2013+ Motion Control)
ns	11.4309.207.000	PopLoc Lever Right (17mm cable pull, not compatible with 2013+ Motion Control)
ns	11.4308.849.000	PopLoc Adjust Lever Left (17mm cable pull, not compatible with 2013+ Motion Control)
22	11.4309.208.000	PopLoc Adjust Lever Right (17mm cable pull, not compatible with 2013+ Motion Control)
23	00.4318.002.005	Remote Upgrade Kit - 2013 PushLoc Remote Kit Left MMX (includes: PushLoc Left, MatchMaker knuckle, cable & housing)
26	00.4318.002.006	Remote Upgrade Kit - 2013 PushLoc Remote Kit Right MMX (includes: PushLoc Right, MatchMaker knuckle, cable & housing)
26	11.4315.013.030	Remote XLoc Left Black (hose/banjo)
24	11.4315.013.040	Remote XLoc Right Black (hose/banjo)
24	11.4315.013.050	Remote XLoc Left Gold Adjuster (includes hose/banjo) 2014
25	11.4315.013.060	Remote XLoc Right Gold Adjuster (includes hose/banjo) 2014
25	11.4315.013.070	Remote XLoc Full Sprint Left Gold Adjuster (includes hose/banjo)
26	11.4315.013.080	Remote XLoc Full Sprint Right Gold Adjuster (includes hose/banjo)
26	11.4315.014.010	Button/Boot/Master Piston Assembly, XLoc Left
26	11.4315.014.020	Button/Boot/Master Piston Assembly, XLoc Right
27	11.4318.007.000	Button/Boot/Master Piston Assembly, XLoc Full Sprint, Gold Adjuster
27	11.4315.016.010	Clamp/Bracket Hardware, XLoc Left, Ti Hardware
28	11.4315.016.020	Clamp/Bracket Hardware, XLoc Right, Ti Hardware
28	11.4315.017.000	Floodgate Adjuster Assembly, Xloc - Silver Adjuster
29	11.4318.008.000	Floodgate Adjuster Assembly, Xloc Sprint/Full Sprint- 2014/Gold Adjuster
29	11.4315.018.000	Banjo/Retaining Ring, Xloc Qty 1 - Silver Adjuster
30	11.4318.009.000	Banjo/Retaining Ring, Xloc Sprint/Full Sprint Qty 1 - 2014/Gold Adjuster
30	11.4315.019.000	XLoc Remote Service Kit
ns	11.4318.006.000	XLoc Full Sprint Remote Service Kit
31	11.4318.005.000	Connectamajig Collar Suspension Black - Reverb/XLoc Full sprint
31	11.4015.434.010	Hydraulic Hose XLoc 460mm Qty 2 (use with suspension fluid only) - Silver Adjuster
31	11.4015.434.020	Hydraulic Hose XLoc 460mm Qty 10 (use with suspension fluid only) - Silver Adjuster
31	11.4015.434.030	Hydraulic Hose XLoc 500mm Qty 2 (use with suspension fluid only) - Sprint/Full Sprint, 2014/ Gold Adjuster
ns	11.4015.434.040	Hydraulic Hose XLoc 500mm Qty 10 (use with suspension fluid only) - Sprint/Full Sprint, 2014/ Gold Adjuster
32	11.4315.011.030	ROCKSHOX Bleed Kit (XLoc/Totem) Qty 2 (includes two syringes and fittings, one torx tool)
32	11.4018.012.002	Air Top Cap, Reba/SID/Revelation Black (32mm aluminum upper tubes only)
33	11.4018.012.003	Air Top Cap, Reba/SID/Revelation Silver (32mm aluminum upper tubes only)
	11.4015.394.000	Air Spring Assembly, Dual Air - 2010-2011 Revelation

REVELATION (A1-A3/2010-2014)



No.	Part Number	Description
34	11.4015.546.060	Spring Assembly (Dual Air) and Air Top Cap Kit (remove all-travel spacers for 150mm max travel) - 2012 Revelation 26"
34	11.4015.546.070	Spring Assembly (Dual Air) and Air Top Cap Kit (remove all-travel spacers for 140mm max travel) - 2012 Revelation 29"
35	11.4018.010.068	Spring Internals Left Solo Air Revelation 26, 27.5/650b 150 Black (includes air top cap, solo air spring and shaft bolt; not compatible with Dual Air CSU) A2-A3 (2013-2014)
35	11.4018.010.069	Spring Internals Left Solo Air Revelation 26, 27.5/650b 150 Silver (includes air top cap, solo air spring and shaft bolt; not compatible with Dual Air CSU) A2-A3 (2013-2014)
35	11.4018.010.070	Spring Internals Left Solo Air Revelation 26, 27.5/650b, 29 140 Black (includes air top cap, solo air spring and shaft bolt; not compatible with Dual Air CSU) A2-A3 (2013-2014)
35	11.4018.010.071	Spring Internals Left Solo Air Revelation 26, 27.5/650b, 29 140 Silver (includes air top cap, solo air spring and shaft bolt; not compatible with Dual Air CSU) A2-A3 (2013-2014)
35	11.4018.010.072	Spring Internals Left Solo Air Revelation 26, 27.5/650b, 29 130 Black (includes air top cap, solo air spring and shaft bolt; not compatible with Dual Air CSU) A2-A3 (2013-2014)
35	11.4018.010.073	Spring Internals Left Solo Air Revelation 26, 27.5/650b, 29 130 Silver (includes air top cap, solo air spring and shaft bolt; not compatible with Dual Air CSU) A2-A3 (2013-2014)
35	11.4018.010.074	Spring Internals Left Solo Air Revelation 26, 27.5/650b, 29 120 Black (includes air top cap, solo air spring and shaft bolt; not compatible with Dual Air CSU) A2-A3 (2013-2014)
35	11.4018.010.075	Spring Internals Left Solo Air Revelation 26, 27.5/650b, 29 120 Silver (includes air top cap, solo air spring and shaft bolt; not compatible with Dual Air CSU) A2-A3 (2013-2014)
35	11.4018.010.076	Spring Internals Left Solo Air Revelation 26, 27.5/650b, 29 110 Black (includes air top cap, solo air spring and shaft bolt; not compatible with Dual Air CSU) A2-A3 (2013-2014)
35	11.4018.010.077	Spring Internals Left Solo Air Revelation 26, 27.5/650b, 29 110 Silver (includes air top cap, solo air spring and shaft bolt; not compatible with Dual Air CSU) A2-A3 (2013-2014)
35	11.4018.010.078	Spring Internals Left Solo Air Revelation 26, 27.5/650b, 29 100 Black (includes air top cap, solo air spring and shaft bolt; not compatible with Dual Air CSU) A2-A3 (2013-2014)
35	11.4018.010.079	Spring Internals Left Solo Air Revelation 26, 27.5/650b, 29 100 Silver (includes air top cap, solo air spring and shaft bolt; not compatible with Dual Air CSU) A2-A3 (2013-2014)
36	11.4018.022.000	Air Shaft Revelation 150mm travel 26"/27.5"/29" (can be used to change travel to 150mm on 26"/27.5"/29" Solo Air, not compatible with Dual Air)
36	11.4018.022.001	Air Shaft Revelation 140mm travel 26"/27.5"/29" (can be used to change travel to 140mm on 26"/27.5"/29" Solo Air, not compatible with Dual Air)
36	11.4018.022.002	Air Shaft Revelation 130mm travel 26"/27.5"/29" (can be used to change travel to 130mm on 26"/27.5"/29" Solo Air, not compatible with Dual Air)
36	11.4018.022.003	Air Shaft Revelation 120mm travel 26"/27.5"/29" (can be used to change travel to 120mm on 26"/27.5"/29" Solo Air, not compatible with Dual Air)
36	11.4018.022.004	Air Shaft Revelation 110mm travel 26"/27.5"/29" (can be used to change travel to 110mm on 26"/27.5"/29" Solo Air, not compatible with Dual Air)
36	11.4018.022.005	Air Shaft Revelation 100mm travel 26"/27.5"/29" (can be used to change travel to 100mm on 26"/27.5"/29" Solo Air, not compatible with Dual Air)
ns	11.4015.406.000	Service Kit, Dual Air/Motion Control - 2010-2011 Revelation
ns	11.4015.550.000	Service Kit (full), Dual Air/Motion Control DNA - 2012 Revelation
ns	11.4015.553.000	Service Kit (full), Dual Position Air/Motion Control DNA - 2012 Revelation
ns	11.4018.007.000	Service Kit (full), Dual Position Air/Motion Control DNA - 2012 Revelation New (Dual Wing Adjuster Knob)
ns	11.4018.019.001	Service Kit Full (includes solo air and damper seals, hardware & Black Seals) - Revelation Solo Air A2-A3 (2013-2014)
ns	00.4315.032.180	AM Fork Service Kit, Basic (includes dust seals, foam rings, o-ring seals) - Revelation Dual Air (2012)
ns	00.4315.032.320	AM Fork Service Kit, Basic (includes dust seals, foam rings, o-ring seals) - Revelation Dual Position Air (2012-2013)
ns	11.4015.407.000	Service Kit, Air U-Turn/Motion Control - 2010 Revelation
37	11.4018.010.066	Spring Internals Left Dual Position Air Revelation 2629 140 (includes air top cap, adjuster knob, Dual Spring Assembly and shaft bolt) A2-A3 (2013-2014)
37	11.4018.010.067	Spring Internals Left Dual Position Air Revelation 2627.5/650 150 (includes air top cap, adjuster knob, Dual Spring Assembly and shaft bolt) A2-A3 (2013-2014)
38	11.4015.552.010	Adjuster Knob Aluminum, Dual Position Air - 2011-2012 Revelation
39	11.4015.552.011	Adjuster Knob Aluminum, Dual Position Air - (Dual Wing Adjuster Knob) Revelation New A1-A3/PIKE A1
40	11.4015.505.010	Dual Position Air - Sealhead Assembly - Revelation
41	00.4318.005.001	Maxle Lite 15mm Black (compatible with all RockShox 15mm TA) B1
42	11.4318.004.000	Maxle Lite Lever Assembly B1
42	11.4315.010.010	Lever/Wedge Kit, Rear Maxle Lite 135/150mm (axle body)/Maxle Lite 15mm (front) - Black Lever 2010-2013
43	00.4315.013.010	Maxle Lite 20mm, Black (32mm, Chassis) 2011
44	11.4311.722.020	Lever/Wedge Kit, Maxle Lite 20mm (32mm/35mm/40mm) 2011
45	00.4318.004.007	Remote Upgrade Kit, XLoc Sprint, Revelation, Left, MMX, Black (includes Motion Control X DNA comp damper, bleed syringes)
45	00.4318.004.008	Remote Upgrade Kit, XLoc Sprint, Revelation, Right, MMX, Black (includes Motion Control X DNA comp damper, bleed syringes)
46	00.4318.004.003	Remote Upgrade Kit, Xloc Full Sprint, Revelation, Left, MMX, Black (includes Motion Control X DNA comp damper, rear shock hydraulic hose, bleed syringes)
46	00.4318.004.004	Remote Upgrade Kit, Xloc Full Sprint, Revelation, Right, MMX, Black (includes Motion Control X DNA comp damper, rear shock hydraulic hose, bleed syringes)
47	00.4318.002.002	Remote Upgrade Kit - 2012-2013 Revelation RLT - MotionControl DNA - Includes Remote Compression Damper and PushLoc Remote Right MMX
48	11.4308.327.002	Schrader Valve Core Qty 2
ns	11.4318.003.308	Decal Kit Revelation 26 Silver/White Lower Leg A3
ns	11.4318.003.309	Decal Kit Revelation 26 Silver/Black Lower Leg A3
ns	11.4318.003.310	Decal Kit Revelation 26 Silver/Diffusion Black Lower Leg A3
ns	11.4318.003.311	Decal Kit Revelation 27.5 Silver/White Lower Leg A3
ns	11.4318.003.312	Decal Kit Revelation 27.5 Silver/Black Lower Leg A3
ns	11.4318.003.313	Decal Kit Revelation 27.5 Silver/Diffusion Black Lower Leg A3
ns	11.4318.003.314	Decal Kit Revelation 29 Silver/White Lower Leg A3
ns	11.4318.003.315	Decal Kit Revelation 29 Silver/Black Lower Leg A3
ns	11.4318.003.316	Decal Kit Revelation 29 Silver/Diffusion Black Lower Leg A3
bulk	11.4015.259.000	Crush Washer 8mm, Qty 50
bulk	11.4015.260.000	Crush Washer Retainer, Qty 50
bulk	11.4310.695.000	Dust Seal 32mm Grey - SID/Revelation/Reba/Argyle/Sektor/Tora/Recon/XC32 Qty 20
bulk	11.4018.028.003	Dust Seal 32mm Black - SID/Reba/Revelation Qty 20
bulk	11.4310.698.000	Foam Ring 32mm x 10mm - Revelation/Argyle/Sektor/Tora/Recon/XC32 Qty 20
bulk	11.4318.002.030	Hydraulic Hoses/Barbs/Compression Fittings XLoc Monarch XX Full Sprint Connectamajig 2000mm Qty 10 (use with suspension fluid only) B1
ns	11.4015.453.010	Revelation XX Decal Kit
ns	11.4309.073.000	Kit Disk Brake Cable Accessory
ns	00.4315.023.010	High-Pressure Fork/Shock Pump (300 psi Max) RockShox
ns	00.4315.022.010	Schrader Valve Removal Tool Rockshox



Note:

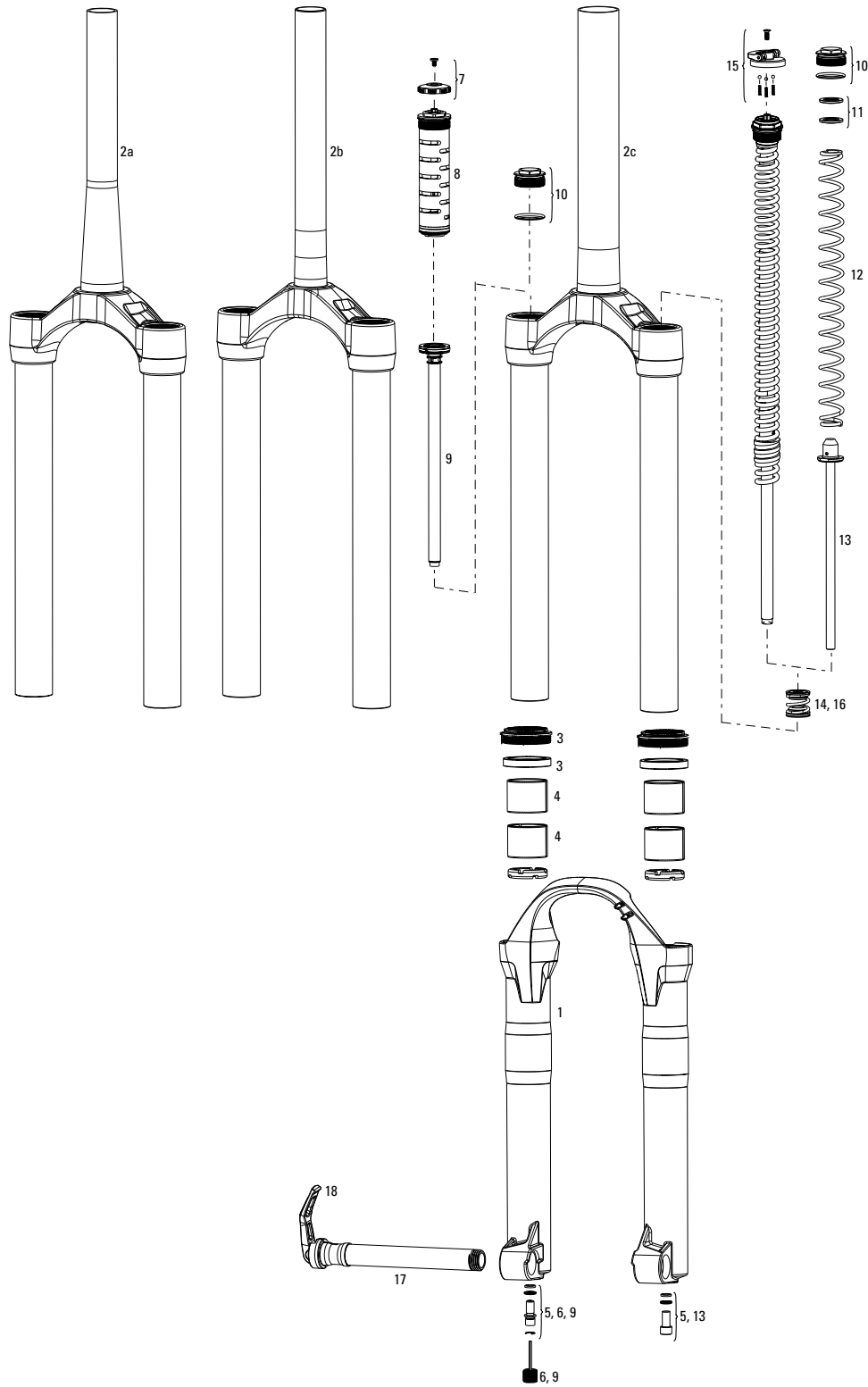
1. Full service kits include replaceable o-rings, glide rings, retaining rings, crush washers, crush washer retainers, lower leg bottom-out bumpers and shaft bolts/nuts. All air service kits include replacement schrader valve cores. Not all service parts are pictured. All basic service kits include the following replaceable wear items: o-rings, glide rings, dust seals, and foam rings.
2. Rebound damper and spring shaft kits include crush washers, crush washer retainers and shaft bolts, as well as upper tube retaining rings and rebound adjuster knob.
3. Damper side = rider's right. Spring side = rider's left.
4. All lower legs include bottom-out bumpers, bushings, foam rings and dust seals installed.
5. Refer to the RockShox Technical Manual (www.sram.com) for oil volumes, air pressure settings and torque values.
6. Charger damper fluid - use RockShox Rear Suspension Damping Fluid 3wt.
7. Charger lower leg lubricant - use RockShox Pike Suspension Oil, 0-W30.
8. Charger damper bleed - use Bleed fitting Charger Damper and RockShox Bleed Kit (Totem) Qty 1 - fill and bleed.



No.	Part Number	Description
1	11.4018.006.190	Lower Leg Pike 2615 Disc Black (decals not included) A1
1	11.4018.006.191	Lower Leg Pike 2615 Disc White (decals not included) A1
1	11.4018.006.192	Lower Leg Pike 2615 Disc Diffusion Black (decals not included) A1
1	11.4018.006.193	Lower Leg Pike 27.5/650B, Maxle 15 Disc Black (decals not included) A1
1	11.4018.006.194	Lower Leg Pike 27.5/650B, Maxle 15 Disc White (decals not included) A1
1	11.4018.006.195	Lower Leg Pike 27.5/650B, Maxle 15 Disc Diffusion Black (decals not included) A1
1	11.4018.006.196	Lower Leg Pike 2915 Disc Black (decals not included) A1
1	11.4018.006.197	Lower Leg Pike 2915 Disc White (decals not included) A1
1	11.4018.006.198	Lower Leg Pike 2915 Disc Diffusion Black (decals not included) A1
2	11.4015.534.010	Hydraulic Hose Clamp, Lower Leg - PIKE/XC30/30Gold
3	11.4018.008.308	CSU Pike Solo Air 26 Aluminum Taper Black A1
3	11.4018.008.309	CSU Pike Solo Air 26 Aluminum Taper White A1
3	11.4018.008.310	CSU Pike Solo Air 26 Aluminum Taper Diffusion Black A1
3	11.4018.008.311	CSU Pike Dual Position Air 26 Aluminum Taper Black A1
3	11.4018.008.312	CSU Pike Dual Position Air 26 Aluminum Taper White A1
3	11.4018.008.313	CSU Pike Dual Position Air 26 Aluminum Taper Diffusion Black A1
3	11.4018.008.314	CSU Pike Solo Air 27.5 Aluminum Taper Black A1
3	11.4018.008.315	CSU Pike Solo Air 27.5 Aluminum Taper White A1
3	11.4018.008.316	CSU Pike Solo Air 27.5 Aluminum Taper Diffusion Black A1
3	11.4018.008.317	CSU Pike Dual Position Air 27.5 Aluminum Taper Black A1
3	11.4018.008.318	CSU Pike Dual Position Air 27.5 Aluminum Taper White A1
3	11.4018.008.319	CSU Pike Dual Position Air 27.5 Aluminum Taper Diffusion Black A1
3	11.4018.008.320	CSU Pike Solo Air 29 46 Off-Set Aluminum Taper Black A1
3	11.4018.008.321	CSU Pike Solo Air 29 46 Off-Set Aluminum Taper White A1
3	11.4018.008.322	CSU Pike Solo Air 29 46 Off-Set Aluminum Taper Diffusion Black A1
3	11.4018.008.323	CSU Pike Dual Position Air 29 46 Off-Set Aluminum Taper Black A1
3	11.4018.008.324	CSU Pike Dual Position Air 29 46 Off-Set Aluminum Taper White A1
3	11.4018.008.325	CSU Pike Dual Position Air 29 46 Off-Set Aluminum Taper Diffusion Black A1
3	11.4018.008.326	CSU Pike Solo Air 29 51 Off-Set Aluminum Taper Black A1
3	11.4018.008.327	CSU Pike Solo Air 29 51 Off-Set Aluminum Taper White A1
3	11.4018.008.328	CSU Pike Solo Air 29 51 Off-Set Aluminum Taper Diffusion Black A1
3	11.4018.008.329	CSU Pike Dual Position Air 29 51 Off-Set Aluminum Taper Black A1
3	11.4018.008.330	CSU Pike Dual Position Air 29 51 Off-Set Aluminum Taper White A1
3	11.4018.008.331	CSU Pike Dual Position Air 29 51 Off-Set Aluminum Taper Diffusion Black A1
4	11.4018.028.002	Dust Seal/Foam Ring Black 35mm Seal, 6mm Foam Ring - PIKE A1
5	11.4015.403.040	Shaft Fastener Kit PIKE (Includes shaft bolts and crush washers) A1
6	11.4015.404.020	Rebound Adjuster Knob/Bolt Kit - PIKE A1
7a	11.4015.547.080	Knob Kit, Compression Damper, RC - PIKE A1
7b	11.4015.547.090	Knob Kit, Compression Damper, RCT3 - PIKE A1
8a	11.4015.544.310	Compression Damper, Motion Control DNA, Crown Adjust - PIKE RC (includes compression knobs) A1
8b	11.4015.544.320	Compression Damper, Motion Control DNA, Crown Adjust - PIKE RCT3 (includes compression knobs) A1
9a	11.4018.030.000	Compression Piston Assembly - Pike RCT3 A1
9b	11.4018.030.001	Compression Piston Assembly - Pike RC A1
10a	11.4018.009.026	Damper Internals Right Charger PIKE RC 26 Crown Adjust A1
10a	11.4018.009.027	Damper Internals Right Charger PIKE RC 27.5 Crown Adjust A1
10a	11.4018.009.028	Damper Internals Right Charger PIKE RC 29 Crown Adjust A1
10b	11.4018.009.029	Damper Internals Right Charger PIKE RCT3 26 Crown Adjust A1
10b	11.4018.009.030	Damper Internals Right Charger PIKE RCT3 27.5 Crown Adjust A1
10b	11.4018.009.031	Damper Internals Right Charger PIKE RCT3 29 Crown Adjust A1
11a	11.4018.025.004	Rebound Damper and Seal Head Assembly/Shaft Bolt- PIKE RC 26 A1
11a	11.4018.025.005	Rebound Damper and Seal Head Assembly/Shaft Bolt- PIKE RC 27.5 A1
11a	11.4018.025.006	Rebound Damper and Seal Head Assembly/Shaft Bolt- PIKE RC 29 A1
11b	11.4018.025.007	Rebound Damper and Seal Head Assembly/Shaft Bolt- PIKE RCT3 26 A1
11b	11.4018.025.008	Rebound Damper and Seal Head Assembly/Shaft Bolt- PIKE RCT3 27.5 A1
11b	11.4018.025.009	Rebound Damper and Seal Head Assembly/Shaft Bolt- PIKE RCT3 29 A1
12	11.4015.353.030	Seal Head Assembly (Rebound Damper, Charger) 35mm - PIKE A1
13	11.4018.031.000	Charger Bladder Assembly - Pike A1
14	11.4018.012.004	Air Top Cap, Solo Air 35mm PIKE A1
15	11.4018.010.106	Spring Internals Left Solo Air PIKE 26-150 (includes air top cap, solo air spring and shaft bolt) A1
15	11.4018.010.107	Spring Internals Left Solo Air PIKE 26-160, 27.5-150 (includes air top cap, solo air spring and shaft bolt) A1
15	11.4018.010.108	Spring Internals Left Solo Air PIKE 27.5-160 (includes air top cap, solo air spring and shaft bolt) A1
15	11.4018.010.109	Spring Internals Left Solo Air PIKE 29-120 (includes air top cap, solo air spring and shaft bolt) A1
15	11.4018.010.110	Spring Internals Left Solo Air PIKE 29-140 (includes air top cap, solo air spring and shaft bolt) A1
15	11.4018.010.111	Spring Internals Left Solo Air PIKE 29-150 (includes air top cap, solo air spring and shaft bolt) A1
15	11.4018.010.112	Spring Internals Left Solo Air PIKE 29-160 (includes air top cap, solo air spring and shaft bolt) A1
16	11.4018.010.113	Spring Internals Left Dual Position Air PIKE 26-150 (includes air top cap, adjuster knob, Dual Spring Assembly and shaft bolt) A1
16	11.4018.010.114	Spring Internals Left Dual Position Air PIKE 26-160, 27.5-150 (includes air top cap, adjuster knob, Dual Spring Assembly and shaft bolt) A1
16	11.4018.010.115	Spring Internals Left Dual Position Air PIKE 27.5-160 (includes air top cap, adjuster knob, Dual Spring Assembly and shaft bolt) A1
16	11.4018.010.116	Spring Internals Left Dual Position Air PIKE 29-150 (includes air top cap, adjuster knob, Dual Spring Assembly and shaft bolt) A1
16	11.4018.010.117	Spring Internals Left Dual Position Air PIKE 29-160 (includes air top cap, adjuster knob, Dual Spring Assembly and shaft bolt) A1
17	11.4018.026.000	Air Shaft PIKE Solo Air 160mm travel 26"/150mm travel 27.5" (can be used to change travel to 160mm on 26"/150mm on 27.5") A1
17	11.4018.026.001	Air Shaft PIKE Solo Air 160mm travel 27.5"/140mm travel 29" (can be used to change travel to 160mm on 27.5"/140mm on 29") A1
17	11.4018.026.002	Air Shaft PIKE Solo Air 160mm travel 29" (can be used to change travel to 160mm on 29") A1
17	11.4018.026.003	Air Shaft PIKE Solo Air 150mm travel 26"/120mm travel 29" (can be used to change travel to 150mm on 26"/120mm on 29") A1
17	11.4018.026.004	Air Shaft PIKE Solo Air 150mm travel 29" (can be used to change travel to 150mm on 29") A1
18	11.4018.026.005	Air Shaft PIKE Dual Position Air 160mm travel 26"/150mm travel 27.5" (can be used to change travel to 160mm on 26"/150mm on 27.5") A1
18	11.4018.026.006	Air Shaft PIKE Dual Position Air 160mm travel 27.5" (can be used to change travel to 160mm on 27.5") A1
18	11.4018.026.007	Air Shaft PIKE Dual Position Air 160mm travel 29" (can be used to change travel to 160mm on 29") A1
18	11.4018.026.008	Air Shaft PIKE Dual Position Air 150mm travel 26" (can be used to change travel to 150mm on 26") A1
18	11.4018.026.009	Air Shaft PIKE Dual Position Air 150mm travel 29" (can be used to change travel to 150mm on 29") A1
19	11.4018.032.000	Bottomless Tokens Qty 3 PIKE A1
20	11.4018.027.000	Service Kit Full - PIKE Solo Air (includes solo air and damper seals and hardware) A1
21	11.4018.027.001	Service Kit Full - PIKE Dual Position Air (includes dual position air and damper seals and hardware) A1
22	00.4315.032.350	AM Fork Service Kit, Basic (includes dust seals, foam rings, o-ring seals) - Pike Solo Air A1
23	00.4315.032.360	AM Fork Service Kit, Basic (includes dust seals, foam rings, o-ring seals) - Pike Dual Position Air A1



No.	Part Number	Description
24	11.4015.552.011	Adjuster Knob Aluminum, Dual Position Air - (Dual Wing Adjuster Knob) Revelation New A1-A3/PIKE A1
25a	11.4018.037.000	Seal head Assembly Solo Air - PIKE A1
25b	11.4015.505.020	Dual Position Air - Sealhead Assembly - PIKE A1
26	00.4318.005.001	Maxle Lite 15mm Black (compatible with all RockShox 15mm TA) B1
27	11.4318.004.000	Maxle Lite Lever Assembly B1
28	11.4308.327.002	Schrader Valve Core Qty 2
bulk	11.4015.259.000	Crush Washer 8mm, Qty 50
bulk	11.4015.260.000	Crush Washer Retainer, Qty 50
bulk	11.4018.028.004	Dust Seal 35mm Black - PIKE Qty 20
bulk	11.4018.028.005	Foam Ring 35mm x 6mm - PIKE A1 Qty 20
bulk	11.4018.032.001	Bottomless Tokens Qty 10 PIKE A1
ns	11.4318.003.317	Decal Kit PIKE 26 Silver/White Lower Leg A1
ns	11.4318.003.318	Decal Kit PIKE 26 Silver/Black Lower Leg A1
ns	11.4318.003.319	Decal Kit PIKE 26 Silver/Diffusion Black Lower Leg A1
ns	11.4318.003.320	Decal Kit PIKE 27.5 Silver/White Lower Leg A1
ns	11.4318.003.321	Decal Kit PIKE 27.5 Silver/Black Lower Leg A1
ns	11.4318.003.322	Decal Kit PIKE 27.5 Silver/Diffusion Black Lower Leg A1
ns	11.4318.003.323	Decal Kit PIKE 29 Silver/White Lower Leg A1
ns	11.4318.003.324	Decal Kit PIKE 29 Silver/Black Lower Leg A1
ns	11.4318.003.325	Decal Kit PIKE 29 Silver/Diffusion Black Lower Leg A1
ns	11.4309.073.000	Kit Disk Brake Cable Accessory
ns	00.4315.023.010	High-Pressure Fork/Shock Pump (300 psi Max) RockShox
ns	00.4315.022.010	Schrader Valve Removal Tool Rockshox
ns	11.4315.021.080	RockShox Pike Suspension Oil, 0W-30, 120ml Bottle
ns	11.4015.354.050	RockShox Pike Suspension Oil, 0W-30, 1 Liter Bottle
ns	11.4315.021.050	RockShox Rear Suspension Damping Fluid 3wt 120ml bottle
ns	11.4315.004.020	RockShox Rear Suspension Damping Fluid 3wt 16oz bottle
29	11.4318.010.000	Bleed fitting Charger Damper (fits basic Rockshox Bleed Kit, 3mm ID)
ns	11.4315.011.010	ROCKSHOX Bleed Kit (Totem) Qty 1

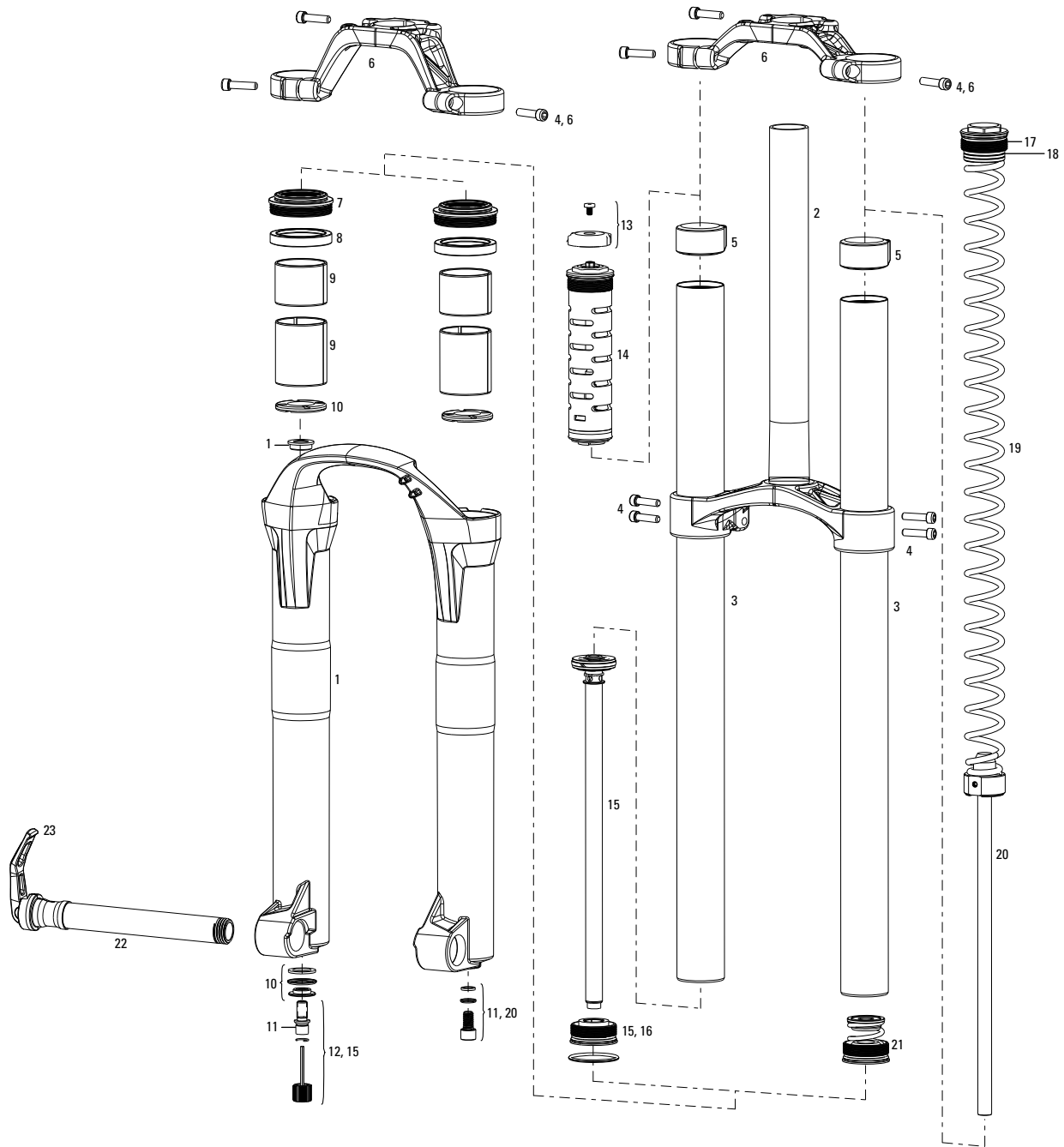


Note:

1. Full service kits include replaceable o-rings, glide rings, retaining rings, crush washers, crush washer retainers, lower leg bottom-out bumpers and shaft bolts/nuts. All air service kits include replacement schrader valve cores. Not all service parts are pictured. All basic service kits include the following replaceable wear items: o-rings, glide rings, dust seals, and foam rings.
2. Rebound damper and spring shaft kits include crush washers, crush washer retainers and shaft bolts, as well as upper tube retaining rings and rebound adjuster knob.
3. Damper side = rider's right. Spring side = rider's left.
4. All lower legs include bottom-out bumpers, bushings, foam rings and dust seals installed.
5. Refer to the RockShox Technical Manual (www.sram.com) for oil volumes, air pressure settings and torque values.
6. Aftermarket forks include Medium spring installed. Soft and Firm tuning springs are included in fork box.



No.	Part Number	Description
1	11.4015.070.000	Domain/Lyrik Lower Leg Diffusion Black (180mm max travel) nodecals
1	11.4015.224.000	Domain/Lyrik Lower Leg White (180mm max travel) no decals
1	11.4015.069.000	Domain/Lyrik Lower Leg, Black (180mm max travel) no decals
2a	11.4018.008.176	CSU Domain Taper Aluminum Black
2a	11.4018.008.177	CSU Domain Taper Aluminum Diffusion Black
2a	11.4018.008.178	CSU Domain Taper Aluminum White
2a	11.4018.008.179	CSU Domain T2 11/4 Taper Aluminum Black
2b	11.4018.008.170	CSU Domain 11/8 Aluminum Black
2b	11.4018.008.171	CSU Domain 11/8 Aluminum Diffusion Black
2b	11.4018.008.172	CSU Domain 11/8 Aluminum White
2c	11.4018.008.173	CSU Domain 1.5 Aluminum Black
2c	11.4018.008.174	CSU Domain 1.5 Aluminum Diffusion Black
2c	11.4018.008.175	CSU Domain 1.5 Aluminum White
3	11.4015.067.000	Domain/Lyrik Dust Seal/Oil Seal Kit
4	11.4015.065.000	Domain/Lyrik Bushing Kit
5	11.4310.465.000	Fork Shaft Bolt Kit
6	11.4015.074.000	Domain/Lyrik/Totem/10-14 Boxxer RC - External Rebound Adjuster Knob & Shaft Bolt Kit
7	11.4015.367.000	Adjuster Knob, Motion Control IS Compression Damper (2010-2014 Boxxer, Domain, Lyrik, Totem)
8	11.4015.051.000	Domain Motion Control IS Compression Damper
9	11.4015.057.000	Domain Rebound Damper Kit
10	11.4015.049.000	Domain Top Cap Kit (L/R)
11	11.4015.043.000	Domain/Lyrik Spring PreLoad Spacers qty 2
12	11.4015.179.000	Domain Spring Single X-Soft Silver
12	11.4015.047.000	Domain Spring Single Soft Yellow
12	11.4015.046.000	Domain Spring Single Medium Red
12	11.4015.045.000	Domain Spring Single Firm Blue
12	11.4015.048.000	Domain Spring Single X-Firm Black
13	11.4015.044.000	Domain Spring Shaft Assy 180mm
13	11.4015.044.010	Domain Spring Shaft Assy 160mm
14	11.4015.056.000	Domain Coil Topout Spring Assy
15	11.4310.717.000	U-Turn Travel Adjuster Knob Aluminum (Coil) Lever
16	11.4015.063.000	Domain U-Turn Topout Spring Assy
17	00.4315.013.030	Maxle Lite FR 20mm, Black (35mm/40mm, Chassis) 2011
18	11.4311.722.020	Lever/Wedge Kit, Maxle Lite 20mm (32mm/35mm/40mm) 2011
bulk	11.4015.259.000	Crush Washer 8mm, Qty 50
bulk	11.4015.260.000	Crush Washer Retainer, Qty 50
bulk	11.4015.066.000	Dust Seal 35mm - Domain/Lyrik/Boxxer Qty 20
bulk	11.4015.200.000	Oil Seal 35mm - Lyrik/Domain/Boxxer Qty 20
ns	11.4015.054.000	Domain Damper Service Kit (comp/Rebound) (bottom out bumpers)
ns	00.4315.032.230	AM Fork Service Kit, Basic (includes dust seals, foam rings, o-ring seals) - Domain (2012-2014)
ns	11.4318.003.154	Decal Kit Domain R Silver/White
ns	11.4318.003.155	Decal Kit Domain R Silver/Black
ns	11.4318.003.156	Decal Kit Domain R Silver/Diffusion Black
ns	11.4318.003.157	Decal Kit Domain RC Silver/White
ns	11.4318.003.158	Decal Kit Domain RC Silver/Black
ns	11.4318.003.159	Decal Kit Domain RC Silver/Diffusion Black
ns	11.4015.205.000	Domain/Lyrik Upper Tube/Spring Sleeve
ns	11.4309.073.000	Kit Disk Brake Cable Accessory



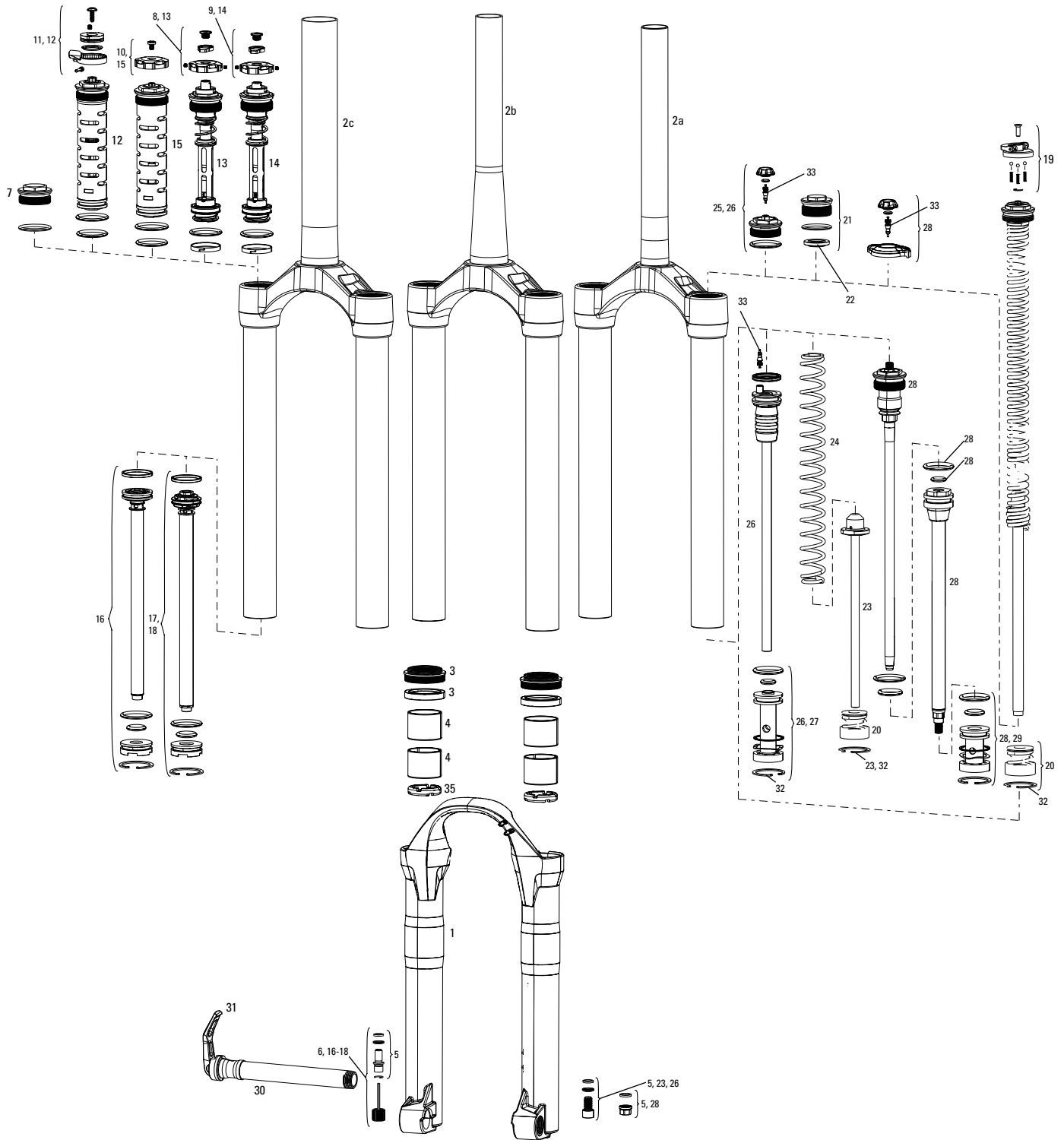
Note:

1. Full service kits include replaceable o-rings, glide rings, retaining rings, crush washers, crush washer retainers, lower leg bottom-out bumpers and shaft bolts/nuts. All air service kits include replacement schrader valve cores. Not all service parts are pictured. All basic service kits include the following replaceable wear items: o-rings, glide rings, dust seals, and foam rings.
2. Rebound damper and spring shaft kits include crush washers, crush washer retainers and shaft bolts, as well as upper tube retaining rings and rebound adjuster knob.
3. Damper side = rider's right. Spring side = rider's left.
4. All lower legs include bottom-out bumpers, bushings, foam rings and dust seals installed.
5. Domain (single-crown) lower legs are NOT compatible with Domain Dual Crown.
6. Refer to the RockShox Technical Manual (www.sram.com) for oil volumes, air pressure settings and torque values.
7. Aftermarket forks with Medium spring installed. Soft and Firm tuning springs are included in fork box.

DOMAIN DUAL CROWN (A1-A2/2007-2014)



No.	Part Number	Description
1	11.4015.510.010	Lower Leg - 2011 Domain Dual Crown 35mm Black
1	11.4015.510.020	Lower Leg - 2011 Domain Dual Crown 35mm White
1	11.4018.006.113	Lower Leg Domain Dual Crown Diffusion Black
2	11.4015.362.040	Lower Crown/Steerer Assembly Black - 2011 Domain Dual Crown 35mm
2	11.4015.362.050	Lower Crown/Steerer Assembly Diffusion Black - 2013 Domain Dual Crown 35mm
2	11.4015.362.060	Lower Crown/Steerer Assembly White - 2013 Domain Dual Crown 35mm
3	11.4015.511.020	Upper Tube Black Silver, Domain Dual Crown, Qty 1
4	11.4015.365.000	Crown Hardware Kit (upper and lower crown bolts) - Boxxer 2010-2014
5	11.4015.361.000	Upper Tube/Frame Bumper Stop, Qty 2 - 2010-2014 Boxxer 35mm
6	11.4015.364.010	Upper Crown, 35mm, Short, Black - Boxxer
6	11.4015.364.020	Upper Crown, 35mm, Short, White - Boxxer
6	11.4015.364.090	Upper Crown, 35mm, Short, Diffusoin Black - Boxxer/Domain Dual Crown
6	11.4015.364.050	Upper Crown, 35mm, Tall, Black - Boxxer
6	11.4015.364.060	Upper Crown, 35mm, Tall, White - Boxxer
6	11.4015.364.080	Upper Crown, 35mm, Tall, Diffusoin Black - Boxxer/Domain Dual Crown
7	11.4015.358.000	Dust Seal Kit, Qty 2 - 2010-2014 Boxxer
8	11.4015.392.000	Pressure Seal Kit, Qty 2 - 2010-2014 Boxxer
9	11.4015.359.000	Bushing Kit (upper 35x38, lower 35x53) 2010-2014 Boxxer
10	11.4015.360.000	Lower Leg Bottom-Out Bumper Kit, Qty 2 - 2010-2014 Boxxer
11	11.4015.391.000	Shaft Bolt Kit - Boxxer 2010-2014
12	11.4015.074.000	Domain/Lyrik/Totem/10-14 Boxxer RC - External Rebound Adjuster Knob & Shaft Bolt Kit
13	11.4015.367.000	Adjuster Knob, Motion Control IS Compression Damper (2010-2014 Boxxer, Domain, Lyrik, Totem)
14	11.4015.051.000	Domain Motion Control IS Compression Damper
15	11.4015.513.010	Rebound Damper and Seal Head Assembly - Domain Dual Crown
16	11.4015.512.010	Seal Head Assembly (Rebound Damper Shaft) Domain Dual Crown, Qty 1
17	11.4015.049.000	Domain Top Cap Kit (L/R)
18	11.4015.376.000	Coil Spring Pre-load Spacers, Qty 4 each - Boxxer Race/RC and Team/R2C2 2010-2014
19	11.4015.380.000	Coil Spring, X-Soft, Silver - Boxxer Race/RC and Team/R2C2 2010-2014
19	11.4015.380.010	Coil Spring, Soft, Yellow - Boxxer Race/RC and Team/R2C2 2010-2014
19	11.4015.380.020	Coil Spring, Medium, Red standard - Boxxer Race/RCand Team/R2C2 2010-2014
19	11.4015.380.030	Coil Spring, Firm, Blue - Boxxer Race/RC and Team/R2C2 2010-2014
19	11.4015.380.040	Coil Spring, X-Firm, Black - Boxxer Race/RC and Team/R2C2 2010-2014
20	11.4015.381.000	Coil Spring Shaft (shaft bolt) - Boxxer Race/RC and Team/R2C2 2010-2014
21	11.4015.512.020	Top Out/Baseplate Assy, Spring, Domain Dual Crown, Qty 1
22	00.4315.013.030	Maxle Lite FR 20mm, Black (35mm/40mm, Chassis) 2011
23	11.4311.722.020	Lever/Wedge Kit, Maxle Lite 20mm (32mm/35mm/40mm) 2011
ns	11.4015.054.000	Domain Damper Service Kit (comp/Rebound) (bottom out bumpers)
ns	00.4315.032.230	AM Fork Service Kit, Basic (includes dust seals, foam rings, o-ring seals) - Domain (2012-2014)
bulk	11.4015.066.000	Dust Seal 35mm - Domain/Lyrik/Boxxer Qty 20
bulk	11.4015.200.000	Oil Seal 35mm - Lyrik/Domain/Boxxer Qty 20
bulk	11.4015.259.000	Crush Washer 8mm, Qty 50
bulk	11.4015.260.000	Crush Washer Retainer, Qty 50
ns	11.4318.003.160	Decal Kit Domain Dual Crown R Silver/White
ns	11.4318.003.161	Decal Kit Domain Dual Crown R Silver/Black
ns	11.4318.003.162	Decal Kit Domain Dual Crown R Silver/Diffusion Black
ns	11.4318.003.163	Decal Kit Domain Dual Crown RC Silver/White
ns	11.4318.003.164	Decal Kit Domain Dual Crown RC Silver/Black
ns	11.4318.003.165	Decal Kit Domain Dual Crown RC Silver/Diffusion Black
ns	11.4309.073.000	Kit Disk Brake Cable Accessory



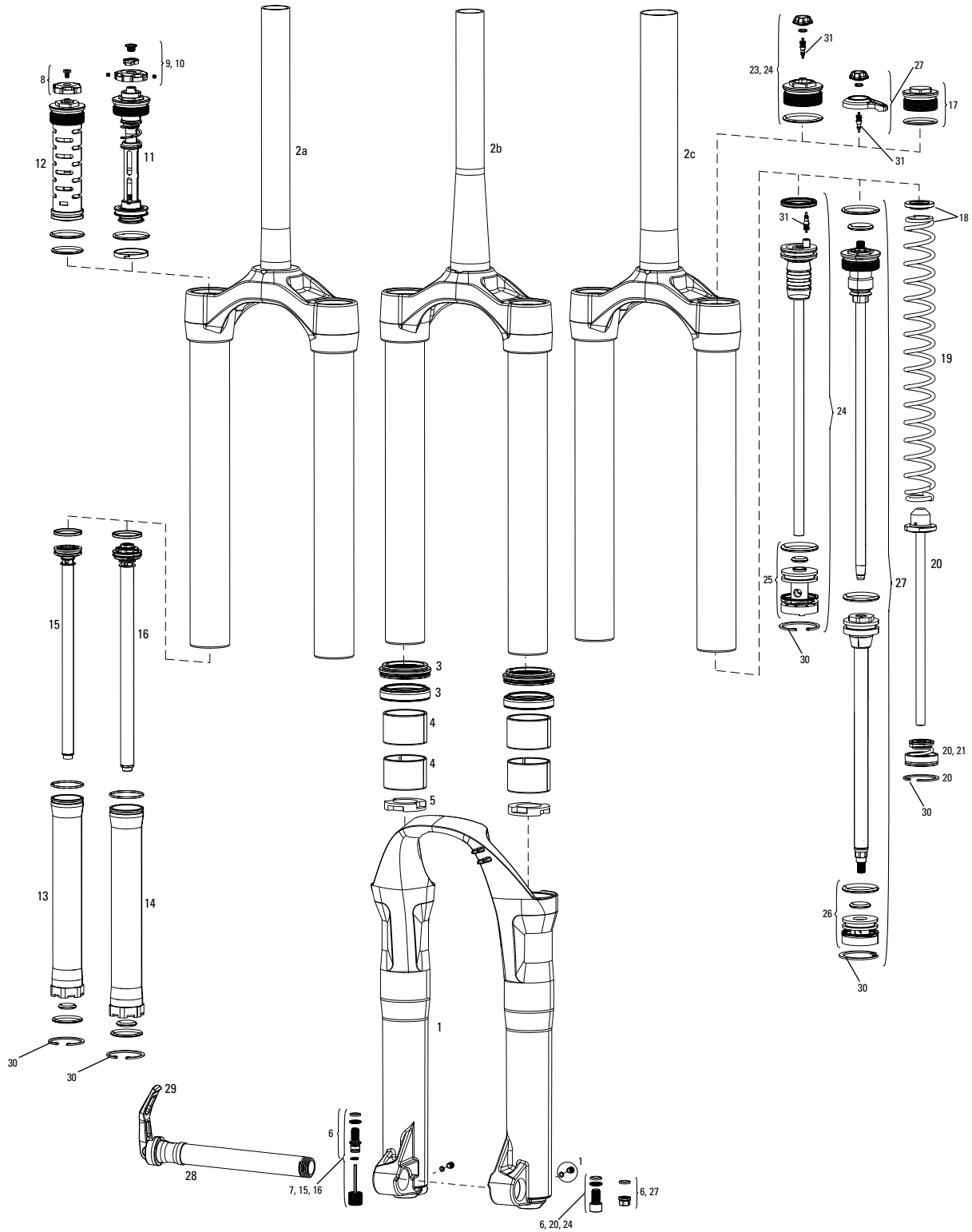
Note:

1. Full service kits include replaceable o-rings, glide rings, retaining rings, crush washers, crush washer retainers, lower leg bottom-out bumpers and shaft bolts/nuts. All air service kits include replacement schrader valve cores. Not all service parts are pictured. All basic service kits include the following replaceable wear items: o-rings, glide rings, dust seals, and foam rings.
2. Rebound damper and spring shaft kits include crush washers, crush washer retainers and shaft bolts, as well as upper tube retaining rings and rebound adjuster knob.
3. Damper side = rider's right. Spring side = rider's left.
4. All lower legs include bottom-out bumpers, bushings, foam rings and dust seals installed. 2010-2012 Lyrik lower leg kits include decals (under clear-coat).
5. All shaft and rebound damper kits include crush washer, shaft bolt and upper tube retaining ring.
6. All Lyrik models are compatible with Motion Control IS, Mission Control and Mission Control DH dampers.
7. If damper tube needs to be replaced, replace original rebound damper with current rebound damper. 2010-2013 Lyrik rebound damper assemblies use a larger piston and do not require the 2007-2009 damper tube. 2007-2009 damper tube is not compatible with 2010-2013 Lyrik.
8. Maxle lever and wedge parts are not compatible with Maxle Lite FR.
9. 2-Step Air replacement parts are no longer available. Replace system with Dual Position Air if parts are needed.
10. Refer to the Technical Manual (www.sram.com) for oil volumes, air pressure settings and torque values.
11. Aftermarket forks with Medium spring installed. Soft and Firm tuning springs are included in fork box.

LYRIK (A1-A2/2010-2014)



No.	Part Number	Description
1	11.4018.006.043	Lower Leg, Black/Silver - Lyrik
1	11.4018.006.044	Lower Leg, White/Silver - Lyrik
1	11.4018.006.045	Lower Leg, Diffusion Black/Silver - Lyrik
1	11.4015.070.000	Domain/Lyrik Lower Leg Diffusion Black (180mm max travel) nodecals
1	11.4015.224.000	Domain/Lyrik Lower Leg White (180mm max travel) no decals
1	11.4015.069.000	Domain/Lyrik Lower Leg, Black (180mm max travel) no decals
2a	11.4015.411.070	CSU, U-Turn, Black Crown, AL Steerer 1 1/8" - Lyrik
2a	11.4015.411.100	CSU, Coil/Solo Air, White Crown, AL Steerer 1 1/8" - Lyrik
2a	11.4018.008.180	CSU Lyrik Solo Air/Coil 1/18 Black
2a	11.4018.008.181	CSU Lyrik Solo Air/Coil 1/18 Diffusion Black
2a	11.4015.411.120	CSU, 2-Step/Dual Position Air, White Crown, AL Steerer 1 1/8" - Lyrik
2a	11.4015.411.210	CSU, 2-Step/Dual Position Air, Gloss Black Crown, AL Steerer 1 1/8" - Lyrik
2a	11.4018.008.182	CSU Lyrik Dual Position Air 1/18 Diffusion Black
2b	11.4015.411.130	CSU, U-Turn, Black Crown, AL Steerer Tapered - Lyrik
2b	11.4015.411.160	CSU, Coil/Solo Air, White Crown, AL Steerer Tapered - Lyrik
2b	11.4018.008.183	CSU Lyrik Solo Air/Coil Taper Black
2b	11.4018.008.185	CSU Lyrik Solo Air/Coil 1/4 Taper T2 Black
2b	11.4015.411.180	CSU, 2-Step/Dual Position Air, White Crown, AL Steerer Tapered - Lyrik
2b	11.4015.411.190	CSU, 2-Step/Dual Position Air, Black Crown AL Steerer Tapered - Lyrik180
2b	11.4015.411.220	CSU, 2-Step/Dual Position Air, Gloss Black Crown, AL Steerer Tapered - Lyrik
2b	11.4018.008.184	CSU Lyrik Dual Position Air Taper Diffusion Black
2b	11.4018.008.207	CSU Lyrik Solo Air/Coil Taper Diffusion Black
2c	11.4015.411.010	CSU, U-Turn, Black Crown, AL Steerer 1.5" - Lyrik
2c	11.4015.411.030	CSU, Coil/Solo Air, Black Crown, AL Steerer 1.5" - Lyrik
2c	11.4015.411.040	CSU, Coil/Solo Air, White Crown, AL Steerer 1.5" - Lyrik
2c	11.4015.411.060	CSU, 2-Step/Dual Position Air, White Crown, AL Steerer 1.5" - Lyrik
2c	11.4015.411.200	CSU, 2-Step/Dual Position Air, Gloss Black Crown, AL Steerer 1.5" - Lyrik
3	11.4015.067.000	Domain/Lyrik Dust Seal/Oil Seal Kit
4	11.4015.065.000	Domain/Lyrik Bushing Kit
5	11.4015.403.030	Shaft Fastener Kit (Alum) - 2012 Lyrik/Totem (shaft bolts and air shaft nut) (compatible with all Lyrik models and years)
6	11.4015.074.000	Domain/Lyrik/Totem/10-14 Boxxer RC - External Rebound Adjuster Knob & Shaft Bolt Kit
7	11.4015.351.000	LyrikR Rebound Top Cap
8	11.4015.547.060	Knob Kit, Compression Damper, Mission Control - Lyrik/Totem A1-A3 (2012-2014)
9	11.4015.547.070	Knob Kit, Compression Damper, Mission Control DH - Lyrik/Totem A1-A3 (2012-2014)
10	11.4015.367.000	Adjuster Knob, Motion Control IS Compression Damper (2010-2014 Boxxer, Domain, Lyrik, Totem)
11	11.4015.528.010	Remote Spool and Clamp Kit - 2011 Lyrik 180 RLR (for remote compression damper)
12	11.4015.415.070	Compression Damper Remote (Motion Control IS) - 2011 Lyrik 180 RLR (compatible with all Lyrik models and years)
13	11.4015.544.150	Compression Damper, Mission Control (w/ Floodgate) - 2012 Lyrik (includes comp knobs, compatible with all Lyrik models and years)
14	11.4015.544.160	Compression Damper, Mission Control DH (no Floodgate) - 2012 Lyrik (includes comp knobs, compatible with all Lyrik models and years)
15	11.4015.544.170	Compression Damper, Motion Control IS - 2012 Lyrik (includes comp knobs, compatible with all Lyrik models and years)
16	11.4015.416.010	Rebound Damper, Motion Control IS - Lyrik/2010-2012 Totem (compatible with all Lyrik models and years) (includes reboundadjuster knob)
17	11.4015.416.020	Rebound Damper, Mission Control/Mission Control DH - 2010-2012 Lyrik (Alum Shaft) (compatible with all Lyrik models and years) (includes rebound adjuster knob)
18	11.4015.416.040	Rebound Damper and Seal Head - 2010-2014 Lyrik 180 RLR Plus (alum shaft, includes rebound adjuster knob)
19	11.4310.717.000	U-Turn Travel Adjuster Knob Aluminum (Coil) Lever
20	11.4015.458.010	Lyrik Coil/U-Turn Top Out Assembly
21	11.4015.420.010	Top Cap, Coil - 2010-2014 Lyrik
22	11.4015.043.000	Domain/Lyrik Spring PreLoad Spacers qty 2
23	11.4015.421.010	Spring Shaft Assy, 170mm - 2010-2014 Lyrik
24	11.4015.422.010	Spring, Coil, 170mm, X-Soft Silver - 2010-2014 Lyrik
24	11.4015.422.020	Spring, Coil, 170mm, Soft Yellow - 2010-2014 Lyrik
24	11.4015.422.030	Spring, Coil, 170mm, Medium Red - 2010-2014 Lyrik
24	11.4015.422.040	Spring, Coil, 170mm, Firm Blue - 2010-2014 Lyrik
24	11.4015.422.050	Spring, Coil, 170mm, X-Firm Black - 2010-2014 Lyrik
25	11.4015.083.000	Lyrik Air Top Cap Kit
ns	00.4315.032.090	AM Fork Service Kit, Basic (includes dust seals, foam rings, o-ring seals) - Lyrik Coil (2012-2014)
ns	00.4315.032.110	AM Fork Service Kit, Basic (includes dust seals, foam rings, o-ring seals) - Lyrik Dual Position Air (2012-2014)
ns	00.4315.032.100	AM Fork Service Kit, Basic (includes dust seals, foam rings, o-ring seals) - Lyrik Solo Air (2012-2014)
ns	11.4015.419.010	Service Kit, Solo Air - 2010-2014 Lyrik
ns	11.4015.465.010	Service Kit, 2-Step Air - Lyrik NEW 2010-2011 (includes updated air piston, new piston coil spring, floating piston assy, seal head assy)
ns	11.4015.087.000	Lyrik Damper (Comp/Rebound) Service Kit
26	11.4018.010.080	Spring Internals Left Solo Air Lyrik 160 (includesair top cap, solo air spring and shaft bolt) 2007-2014
26	11.4018.010.081	Spring Internals Left Solo Air Lyrik 170 (includesair top cap, solo air spring and shaft bolt) 2007-2014
26	11.4018.010.082	Spring Internals Left Solo Air Lyrik 180 (includesair top cap, solo air spring and shaft bolt) 2007-2014
26	11.4018.010.083	Spring Internals Left Dual Position Air Lyrik 160 (includes air top cap, adjuster knob, Dual Spring Assembly and shaft bolt) 2007-2014
26	11.4018.010.084	Spring Internals Left Dual Position Air Lyrik 180 (includes air top cap, adjuster knob, Dual Spring Assembly and shaft bolt) 2007-2014
27	11.4018.013.000	Base Plate (Solo Air) Lyrik - 160mm 2007-2013
27	11.4018.013.001	Base Plate (Solo Air) Lyrik - 170mm 2007-2013
27	11.4018.013.002	Base Plate (Solo Air) Lyrik - 180mm 2007-2013
27a	11.4018.024.001	Base Plate/Scraper seal Lyrik Solo Air 150mm 2012-2014
27a	11.4018.024.002	Base Plate/Scraper seal Lyrik Solo Air 160mm 2012-2014
27a	11.4018.024.003	Base Plate/Scraper seal Lyrik Solo Air 170mm 2012-2014
27a	11.4018.024.004	Base Plate/Scraper seal Lyrik Solo Air 180mm 2012-2014
28	11.4015.551.030	Dual Position Air Spring 160mm/Top Cap/Aluminum Adjuster Knob Assembly (complete) - 2012 Lyrik
28	11.4015.551.040	Dual Position Air Spring 170mm/Top Cap/Aluminum Adjuster Knob Assembly (complete) - 2012 Lyrik
28	11.4015.551.050	Dual Position Air Spring 180mm/Top Cap/Aluminum Adjuster Knob Assembly (complete) - 2012 Lyrik
29	11.4018.013.003	Base Plate (Dual Position Air) Lyrik - 160mm 2007-2013
29	11.4018.013.004	Base Plate (Dual Position Air) Lyrik - 180mm 2007-2013
30	00.4315.013.030	Maxle Lite FR 20mm, Black (35mm/40mm, Chassis) 2011
31	11.4311.722.020	Lever/Wedge Kit, Maxle Lite 20mm (32mm/35mm/40mm) 2011
32	11.4015.558.020	Retaining Ring, Upper Tube, 35mm - Qty 2
33	11.4308.327.002	Schrader Valve Core Qty 2
ns	11.4015.205.000	Domain/Lyrik Upper Tube/Spring Sleeve
bulk	11.4015.259.000	Crush Washer 8mm, Qty 50
bulk	11.4015.260.000	Crush Washer Retainer, Qty 50
bulk	11.4015.066.000	Dust Seal 35mm - Domain/Lyrik/Boxxer Qty 20
bulk	11.4015.200.000	Oil Seal 35mm - Lyrik/Domain/Boxxer Qty 20
ns	11.4309.073.000	Kit Disk Brake Cable Accessory
ns	00.4315.023.010	High-Pressure Fork/Shock Pump (300 psi Max) RockShox
ns	00.4315.022.010	Schrader Valve Removal Tool Rockshox

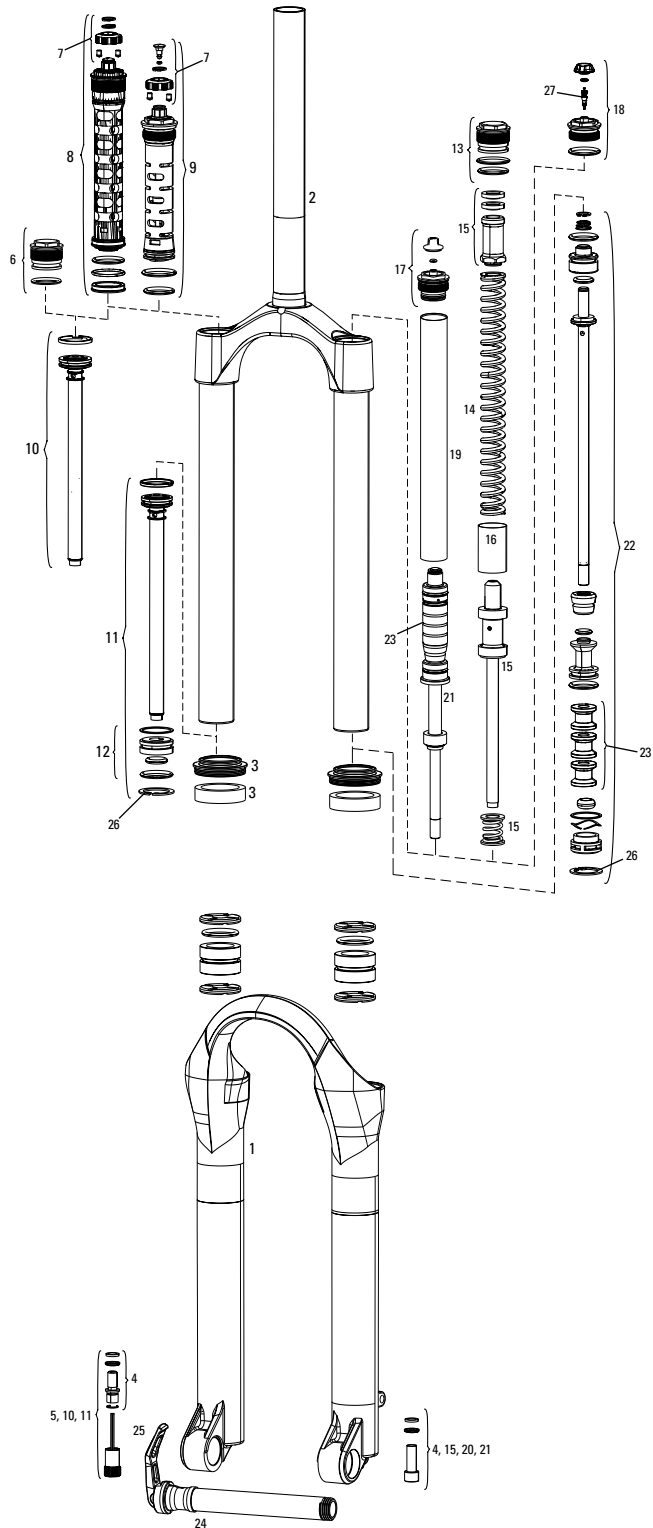


Note:

1. Full service kits include replaceable o-rings, glide rings, retaining rings, crush washers, crush washer retainers, lower leg bottom-out bumpers and shaft bolts/nuts. All air service kits include replacement schrader valve cores. Not all parts service parts are pictured. All basic service kits include the following replaceable wear items: o-rings, glide rings, dust seals, and foam rings.
2. Rebound damper and spring shaft kits include crush washers, crush washer retainers and shaft bolts, as well as upper tube retaining rings and rebound adjuster knob.
3. Damper side = rider's right. Spring side = rider's left.
4. All lower legs include bottom-out bumpers, bushings, foam rings and dust seals installed.
5. Use Totem Speed Lube kit to replace lower leg bushing fluid.
6. Refer to the RockShox Technical Manual (www.sram.com) for oil volumes, air pressure settings and torque values.
7. 2-Step Air replacement parts are no longer available. Replace system with Dual Position Air if parts are needed.
8. Aftermarket forks with Medium spring installed. Soft and Firm tuning springs are included in fork box.



No.	Part Number	Description
1	11.4018.006.040	Lower Leg, Black/Silver - Totem
1	11.4018.006.041	Lower Leg, White/Silver - Totem
1	11.4018.006.042	Lower Leg, Diffusion Black/Silver - Totem
2a	11.4015.426.010	CSU, Coil/Solo Air/2-Step Air, Dual Position Air Black Crown, AL Steerer 1 1/8" - 2010-2013 Totem
2a	11.4015.426.020	CSU, Coil/Solo Air/2-Step Air, Dual Position Air White Crown, AL Steerer 1 1/8" - 2010-2013 Totem
2a	11.4018.008.188	CSU Totem 11/8 Aluminum Diffusion Black
2b	11.4015.426.050	CSU, Coil/Solo Air/2-Step Air, Dual Position Air Black Crown, AL Steerer Tapered - 2010-2013 Totem
2b	11.4015.426.060	CSU, Coil/Solo Air/2-Step Air, Dual Position Air White Crown, AL Steerer Tapered - 2010-2013 Totem
2b	11.4018.008.186	CSU Totem Taper Aluminum Diffusion Black
2c	11.4015.426.030	CSU, Coil/Solo Air/2-Step Air, Dual Position Air Black Crown, AL Steerer 1.5" - 2010-2013 Totem
2c	11.4015.426.040	CSU, Coil/Solo Air/2-Step Air, Dual Position Air White Crown, AL Steerer 1.5" - 2010-2013 Totem
2c	11.4018.008.187	CSU Totem 1.5 Aluminum Diffusion Black
3	11.4015.346.000	Totem Dust/Oil Seal Kit - NEW
4	11.4015.131.000	Totem Bushing Kit
5	11.4015.130.000	Totem Bottom Out Bumper Kit
6	11.4015.403.030	Shaft Fastener Kit (Alum) - 2012 Lyrik/Totem (shaft bolts and air shaft nut) (compatible with all Lyrik models and years)
7	11.4015.074.000	Domain/Lyrik/Totem/10-14 Boxxer RC - External Rebound Adjuster Knob & Shaft Bolt Kit
8	11.4015.367.000	Adjuster Knob, Motion Control IS Compression Damper (2010-2014 Boxxer, Domain, Lyrik, Totem)
9	11.4015.547.060	Knob Kit, Compression Damper, Mission Control - Lyrik/Totem A1-A3 (2012-2014)
10	11.4015.547.070	Knob Kit, Compression Damper, Mission Control DH - Lyrik/Totem A1-A3 (2012-2014)
11	11.4015.544.180	Compression Damper, Mission Control DH (no Floodgate) - 2012 Totem (includes comp knobs, compatible with all Totem models and years)
12	11.4015.544.190	Compression Damper, Motion Control IS - 2012 Totem (includes comp knobs, compatible with all Totem models and years)
13	11.4015.427.010	Damper Tube, Motion Control IS - 2010-2013 Totem (not compatible with 07-09 rebound Damper)
14	11.4015.427.020	Damper Tube, Mission Control, Mission Control DH - 2010-2013 Totem (not compatible with 07-09 rebound Damper)
15	11.4015.416.010	Rebound Damper, Motion Control IS - Lyrik/2010-2012 Totem (compatible with all Lyrik models and years) (includes rebound adjuster knob)
16	11.4015.416.030	Rebound Damper (Aluminum Shaft), Mission Control, Mission Control DH - 2010-2012 Totem (not compatible with 07-09 Dampertube) (includes rebound adjuster knob)
17	11.4015.139.000	Totem Coil Top Cap
18	11.4015.132.000	Totem Coil PreLoad Spacers
19	11.4015.138.000	Totem Coil Spring XSoft Silver
19	11.4015.136.000	Totem Coil Spring Soft Yellow
19	11.4015.135.000	Totem Coil Spring Medium Red
19	11.4015.134.000	Totem Coil Spring Firm Blue
19	11.4015.137.000	Totem Coil Spring XFirm Black
20	11.4015.133.000	Totem Coil Spring Shaft Assy
21	11.4015.160.000	Totem Coil Top Out Spring Assy
ns	00.4315.032.120	AM Fork Service Kit, Basic (includes dust seals, foam rings, o-ring seals) - Totem Coil (2012-2014)
23	11.4015.156.000	Totem Solo Air Top Cap Assy
24	11.4015.556.020	Air Spring (Solo Air) Assembly/Air Top Cap Kit, 180mm - 2010 2012 Totem
24	11.4018.010.085	Spring Internals Left Solo Air Totem 180 (includes air top cap, solo air spring and shaft bolt) 2007-2014
25	11.4018.013.005	Base Plate (Solo Air) Totem - 180mm 2007-2013
26	11.4018.013.006	Base Plate (Dual Position Air) Totem - 180mm 2007-2013
27	11.4015.551.060	Dual Position Air Spring 180mm/Top Cap/Aluminum Adjuster Knob Assembly (complete) - 2012 Totem
27	11.4018.010.086	Spring Internals Left Dual Position Air Totem 180 (includes air top cap, adjuster knob, Dual Spring Assembly and shaft bolt) 2007-2014
28	00.4315.013.030	Maxle Lite FR 20mm, Black (35mm/40mm, Chassis) 2011
29	11.4311.722.020	Lever/Wedge Kit, Maxle Lite 20mm (32mm/35mm/40mm) 2011
30	11.4015.558.030	Retaining Ring, Upper Tube, 40mm - Qty 2
31	11.4308.327.002	Schrader Valve Core Qty 2
ns	11.4015.419.020	Service Kit, Solo Air - 2010-2013 Totem
ns	00.4315.032.130	AM Fork Service Kit, Basic (includes dust seals, foam rings, o-ring seals) - Totem Solo Air (2012-2014)
ns	00.4315.032.140	AM Fork Service Kit, Basic (includes dust seals, foam rings, o-ring seals) - Totem Dual Position Air (2012-2014)
ns	11.4015.465.020	Service Kit, 2-Step Air - Totem NEW 2010-2011 (includes updated air piston, new piston coil spring, floating piston assy, seal head assy)
ns	11.4015.431.000	Service Kit, Damper - 2010-2013 Totem
bulk	11.4015.259.000	Crush Washer 8mm, Qty 50
bulk	11.4015.260.000	Crush Washer Retainer, Qty 50
bulk	11.4015.345.000	Dust Seal 40mm - Totem Qty 20
bulk	11.4015.152.000	Oil Seal 40mm - Totem Qty 20
ns	11.4309.073.000	Kit Disk Brake Cable Accessory
ns	11.4315.011.010	ROCKSHOX Bleed Kit (Totem) Qty 1
ns	11.4015.554.020	2013 Totem/Domain Sticker Pack
ns	00.4315.023.010	High-Pressure Fork/Shock Pump (300 psi Max) RockShox
ns	00.4315.022.010	Schrader Valve Removal Tool Rockshox



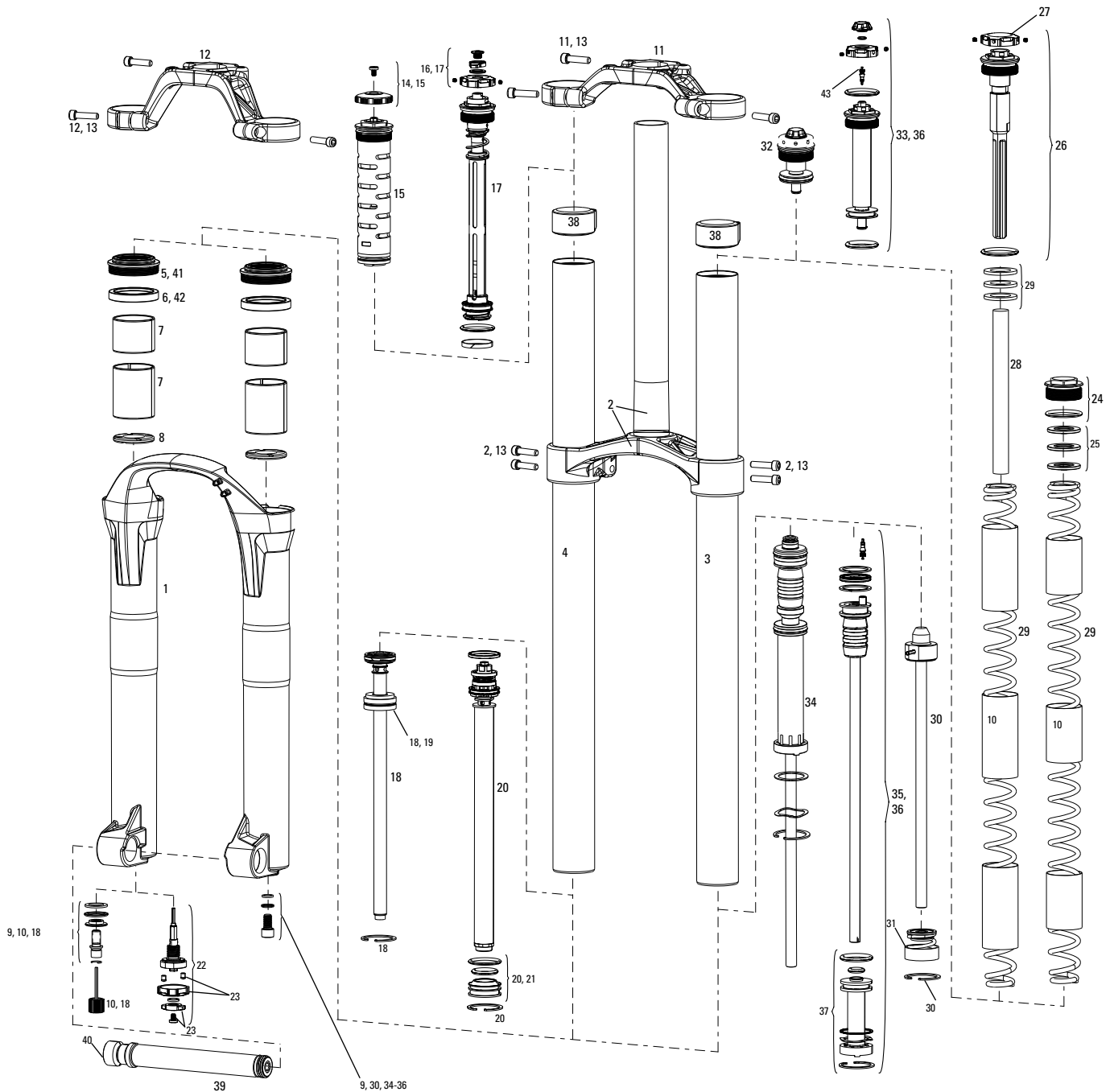
Note:

1. Full service kits include replaceable o-rings, glide rings, retaining rings, crush washers, crush washer retainers, lower leg bottom-out bumpers and shaft bolts/nuts. All air service kits include replacement schrader valve cores. Not all service parts are pictured. All basic service kits include the following replaceable wear items: o-rings, glide rings, dust seals, and foam rings.
2. Rebound damper and spring shaft kits include crush washers, crush washer retainers and shaft bolts, as well as upper tube retaining rings and rebound adjuster knob.
3. Damper side = rider's right. Spring side = rider's left.
4. All lower legs include bottom-out bumpers, bushings, foam rings and dust seals installed.
5. Argyle must use Argyle lower leg.
6. Argyle lower leg will accept Reba/Pike/Boxxer oil seal. Use of this part is optional and is not included in the standard Argyle lower leg assembly. This part is included in 'Reba/Pike/Boxxer Dust/Oil Seal/Foam Ring kit'.
7. Please note top cap, compression damper and air spring kit requirements for steel and aluminum upper tubes.
8. Refer to the RockShox Technical Manual (www.sram.com) for oil volumes, air pressure settings and torque values.



No.	Part Number	Description
1	11.4115.002.000	Argyle R/RC Lower Leg White
1	11.4015.215.000	Argyle R/RC Lower Leg Black
1	11.4015.331.020	Argyle RCT Lower Leg - Grover Blue
1	11.4018.006.114	Lower Leg Argyle R/RC Diffusion Black (Use with Steel Upper Tubes Only)
1	11.4018.006.115	Lower Leg Argyle R/RC Toxic Moss Green (Use with Steel Upper Tubes Only)
1	11.4018.006.116	Lower Leg Argyle RCT White (Use with Aluminum Upper Tubes Only)
1	11.4018.006.117	Lower Leg Argyle RCT Black (Use with Aluminum Upper Tubes Only)
1	11.4018.006.118	Lower Leg Argyle RCT Diffusion Black (Use with Aluminum Upper Tubes Only)
1	11.4018.006.119	Lower Leg Argyle RCT Toxic Moss Green (Use with Aluminum Upper Tubes Only)
2	11.4018.008.189	CSU Argyle Coil Black Silver Steel Upper Tubes 11/8 AluminumBlack Crown
2	11.4018.008.190	CSU Argyle Coil Black Silver Steel Upper Tubes 11/8 AluminumDiffusion Black Crown
2	11.4018.008.191	CSU Argyle Coil Black Silver Steel Upper Tubes 11/8 AluminumWhite Crown
2	11.4018.008.192	CSU Argyle Coil Black Silver Steel Upper Tubes 11/8 AluminumToxic Moss Green Crown
2	11.4018.008.193	CSU Argyle Solo Air Aluminum Upper Tubes 11/8 Aluminum BlackCrown
2	11.4018.008.194	CSU Argyle Solo Air Aluminum Upper Tubes 11/8 Aluminum Diffusion Black Crown
2	11.4018.008.195	CSU Argyle Solo Air Aluminum Upper Tubes 11/8 Aluminum WhiteCrown
2	11.4018.008.196	CSU Argyle Solo Air Aluminum Upper Tubes 11/8 Aluminum ToxicMoss Green Crown
3	11.4310.290.000	Dust Seal/Foam Ring Grey 32mm Seal, 10mm Foam Ring-Revelation/Argyle/Sektor/Tora/Recon/XC32
ns	11.4308.851.000	Reba/Pike/Tora/Recon/Revelation Bushing Kit
4	11.4310.465.000	Fork Shaft Bolt Kit
5	11.4015.404.010	Rebound Adjuster Knob/Bolt Kit, Aluminum Red Long (use with Maxle lower leg)
6	11.4015.025.000	Argyle Rebound Top Cap
7	11.4015.024.000	Argyle Motion Control Adjuster Dial Detent Adjust
8	11.4015.017.000	Compression Damper Moco Internal Adjust Gate - Argyle (steel upper tubes only)
9	11.4015.507.010	Compression Damper Motion Control Internal Gate Adjust - 2011 Argyle RCT (aluminum upper tubes only)
10	11.4015.257.000	Rebound Damper Assy - Argyle (steel upper tubes only)
11	11.4311.116.000	Rebound Damper & SealHead 140mm - 2005-2010 Pike/2005-2008 Reba 29er/2009 Revelation/2010 Recon 327/335/351/2011 Argyle RCT
12	11.4015.353.010	Seal Head Assembly (Rebound Damper, Motion Control) - SIDA/Reba2009-2014
13	11.4015.030.000	Argyle Spring Top Cap qty 1 (steel upper tubes only)
14	11.4015.015.000	Argyle Coil Spring Soft Yellow
14	11.4115.001.000	Argyle Coil Spring Medium Red
14	11.4115.000.000	Argyle Coil Spring Firm Blue
14	11.4015.016.000	Argyle Coil Spring X-Firm Black (standard)
14	11.4018.002.001	Argyle Coil Spring XXX-Firm Pink
15	11.4015.029.000	Argyle Spring Spacer/Shaft Assy 100mm
16	11.4309.336.000	Coil Spring Isolator Kit Qty 3
17	11.4015.124.000	Tora/Recon Silver/Argyle Solo Air Top Cap Assy (steel upper tubes)
18	11.4018.012.000	Air Top Cap, XC32/Recon Silver (32mm steel upper tubes only)
18	11.4018.012.001	Air Top Cap, Recon Gold/Sektor Black (32mm aluminum upper tubes only)
18	11.4018.012.002	Air Top Cap, Reba/SID/Revelation Black (32mm aluminum upper tubes only)
18	11.4018.012.003	Air Top Cap, Reba/SID/Revelation Silver (32mm aluminum upper tubes only)
19	11.4015.028.000	Argyle Solo Air Tube (use with steel upper tubes only)
21	11.4015.027.000	Solo Air Spring Assy (80mm/100mm/120mm) - 2010 Tora XC/SL, 2011 Recon Silver, Argyle (use with steel upper tubes only)
22	11.4015.468.010	Solo Air Spring Assy (80/100/140mm) - 2011-2012 Argyle RCT (use with alum upper tubes only)
23	11.4015.450.000	All-Travel Spacer Kit (not compatible with SID/Reba/Revelation Solo Air Spring)
ns	11.4015.026.000	Service Kit - 2007-2010 Argyle (solo air and coil), 2011 Argyle (coil) - (steel upper tubes only)
ns	11.4015.502.000	Service Kit - Sektor/Argyle RCT
ns	00.4315.032.200	AM Fork Service Kit, Basic (includes dust seals, foam rings, o-ring seals) - Argyle Coil (2012-2014)
ns	00.4315.032.210	AM Fork Service Kit, Basic (includes dust seals, foam rings, o-ring seals) - Argyle Solo Air (2012-2014)
24	00.4315.013.010	Maxle Lite 20mm, Black (32mm, Chassis) 2011
25	11.4311.722.020	Lever/Wedge Kit, Maxle Lite 20mm (32mm/35mm/40mm) 2011
26	11.4015.558.010	Retaining Ring, Upper Tube, 32mm - Qty 2
27	11.4308.327.002	Schrader Valve Core Qty 2
bulk	11.4015.259.000	Crush Washer 8mm, Qty 50
bulk	11.4015.260.000	Crush Washer Retainer, Qty 50
bulk	11.4310.693.000	Reba/Pike/Tora/Recon/Revelation Lwr Bushing Qty 20
bulk	11.4310.694.000	Reba/Pike/Tora/Recon/Revelation Upr Bushing Qty 20
bulk	11.4310.695.000	Dust Seal 32mm Grey - SID/Revelation/Reba/Argyle/Sektor/Tora/Recon/XC32 QTY 20
bulk	11.4018.028.003	Dust Seal 32mm Black - SID/Reba/Revelation Qty 20
bulk	11.4310.697.000	Foam Ring 32mm x 3.5mm - SID/Reba/Pike 2005-2006 Qty 20
ns	11.4318.003.166	Decal Kit Argyle RCT Solo Air White
ns	11.4318.003.167	Decal Kit Argyle RCT Solo Air Black
ns	11.4318.003.168	Decal Kit Argyle RCT Solo Air Diffusion Black
ns	11.4318.003.169	Decal Kit Argyle RCT Solo Air Toxic Moss Green
ns	11.4318.003.170	Decal Kit Argyle RC Coil White
ns	11.4318.003.171	Decal Kit Argyle RC Coil Black
ns	11.4318.003.172	Decal Kit Argyle RC Coil Diffusion Black
ns	11.4318.003.173	Decal Kit Argyle RC Coil Toxic Moss Green
ns	11.4318.003.174	Decal Kit Argyle R Solo Air White
ns	11.4318.003.175	Decal Kit Argyle R Solo Air Black
ns	11.4318.003.176	Decal Kit Argyle R Solo Air Diffusion Black
ns	11.4318.003.177	Decal Kit Argyle R Solo Air Toxic Moss Green
ns	11.4309.073.000	Kit Disk Brake Cable Accessory
ns	00.4315.023.010	High-Pressure Fork/Shock Pump (300 psi Max) RockShox
ns	00.4315.022.010	Schrader Valve Removal Tool Rockshox

BOXXER 35mm (A1-A2/2010-2014)



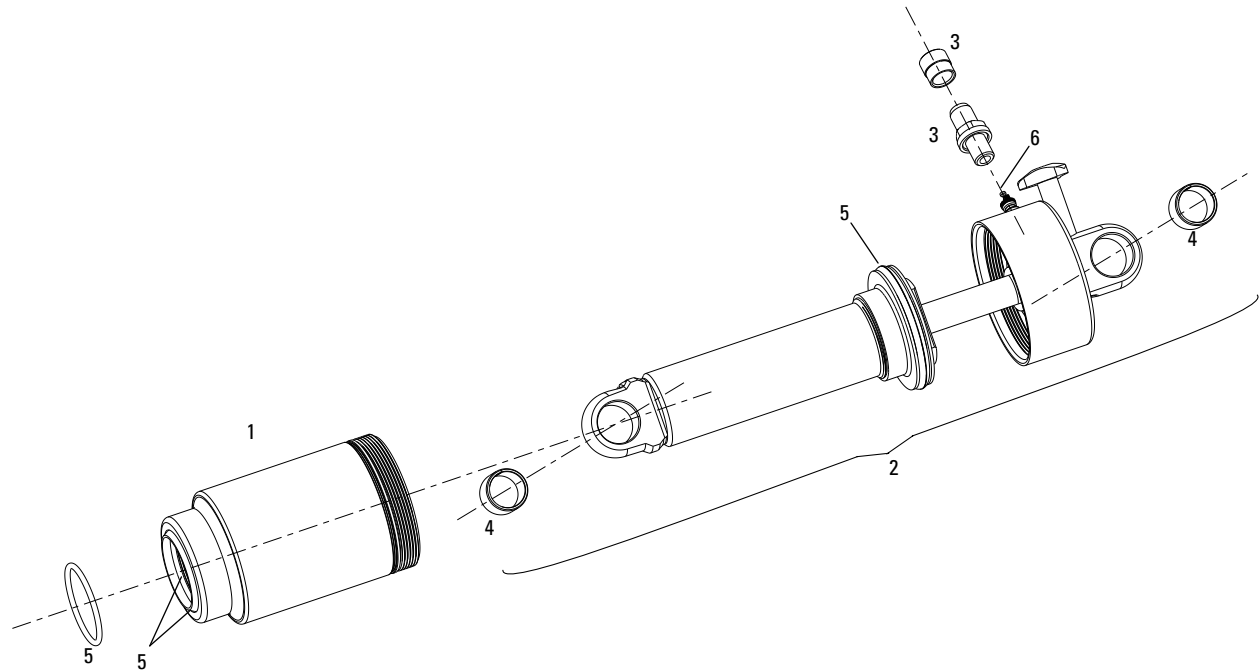
Note:

1. Full service kits include replaceable o-rings, glide rings, retaining rings, crush washers, crush washer retainers, lower leg bottom-out bumpers and shaft bolts/nuts. All air service kits include replacement schrader valve cores. Not all service parts are pictured.
2. Rebound damper and spring shaft kits include crush washers, crush washer retainers and shaft bolts, as well as upper tube retaining rings and rebound adjuster knob.
3. Damper side = rider's right. Spring side = rider's left.
4. All lower legs include decals, bottom-out bumpers, bushings, oil seals and dust seals installed. All lower legs do not include BoXXer DH Maxle.
5. 2011-2012 R2C2/World Cup compression and rebound dampers must be used together and cannot be used with either 2010 compression or 2010 rebound damper.
6. World Cup Solo Air Retro kit (2010 to 2011-2012 air internals) is compatible only with 2009-2010 Boxxer upper tube. 2011-2012 BoXXer straight-wall upper is only compatible with 2011-2012 BoXXer Solo Air spring assembly and top cap; must replace Solo Air spring assembly and top cap when using 2011-2012 BoXXer straight-wall upper tube.
7. BoXXer RC/Race lower leg is NOT compatible with BoXXer R2C2/Team and World Cup. BoXXer RC/Race lower leg includes an insert in the right/rebound shaft bolt hole to accommodate the BoXXer RC/Race rebound damper steel shaft.
8. Refer to the BoXXer Technical Manual (www.sram.com) for oil volumes, air pressure settings and torque values.

BOXXER 35mm (A1-A2/2010-2014)



No.	Part Number	Description
1	11.4018.006.030	Lower Leg, Black/Silver - 2011-2014 Boxxer RC
1	11.4018.006.031	Lower Leg, White/Silver - 2011-2014 Boxxer RC
1	11.4018.006.032	Lower Leg, Diffusion Black/Silver - 2011-2014 Boxxer RC
1	11.4018.006.033	Lower Leg, Black/Silver - 2011-2014 Boxxer R2C2
1	11.4018.006.034	Lower Leg, White/Silver - 2011-2014 Boxxer R2C2
1	11.4018.006.035	Lower Leg, Diffusion Black/Silver - 2011-2014 Boxxer R2C2
1	11.4018.006.036	Lower Leg, Black/Silver - 2011-2014 Boxxer World Cup
1	11.4018.006.037	Lower Leg, White/Silver - 2011-2014 Boxxer World Cup
1	11.4018.006.038	Lower Leg, Diffusion Black/Silver - 2011-2014 Boxxer World Cup
1	11.4018.006.039	Lower Leg, Keronite/Safety Silver - 2011-2014 Boxxer World Cup
2	11.4015.362.010	Lower Crown/Steerer Assembly Black - 2010-2014 Boxxer 35mm
2	11.4015.362.020	Lower Crown/Steerer Assembly White - 2010-2014 Boxxer 35mm
3	11.4015.363.020	Upper Tube Straight-Wall, Left (compatible only with Boxxer Solo Air Spring and Top Cap) - Boxxer 2011-2014
4	11.4015.363.010	Upper Tube Taper-Wall, Right - 2010-2012 Boxxer
4	11.4015.363.030	Upper Tube Taper-Wall, Right - Boxxer 2013-2014
5	11.4015.358.000	Dust Seal Kit, Qty 2 - 2010-2014 Boxxer
6	11.4015.392.000	Pressure Seal Kit, Qty 2 - 2010-2014 Boxxer
8	11.4015.360.000	Lower Leg Bottom-Out Bumper Kit, Qty 2 - 2010-2014 Boxxer
9	11.4015.391.000	Shaft Bolt Kit - Boxxer 2010-2014
10	11.4015.074.000	Domain/Lyrik/Totem/10-14 Boxxer RC - External Rebound Adjuster Knob & Shaft Bolt Kit
11	11.4015.364.010	Upper Crown, 35mm, Short, Black - Boxxer
11	11.4015.364.020	Upper Crown, 35mm, Short, White - Boxxer
12	11.4015.364.050	Upper Crown, 35mm, Tall, Black - Boxxer
12	11.4015.364.060	Upper Crown, 35mm, Tall, White - Boxxer
13	11.4015.365.000	Crown Hardware Kit (upper and lower crown bolts) - Boxxer 2010-2014
14	11.4015.367.000	Adjuster Knob, Motion Control IS Compression Damper (2010-2014 Boxxer, Domain, Lyrik, Totem)
18	11.4015.371.000	Rebound Damper and Seal Head Kit (includes shaft bolt and external rebound adjuster knob) - Boxxer Race/RC 2010-2014
19	11.4015.372.000	Rebound Damper Seal Head - Boxxer Race/RC 2010-2014
15	11.4015.368.000	Compression Damper, Motion Control IS (includes compression adjuster knob) - Boxxer Race/RC 2010-2014
ns	11.4015.371.010	Rebound Damper and Seal Head Kit - 2010 Boxxer Team/World Cup (does not include shaft bolt and adjuster knobs) Cannot be used with 2011 compression Damper.
21	11.4015.372.010	Rebound Damper Seal Head - Boxxer Team/R2C2/World Cup 2010-2014
16	11.4015.470.010	Adjuster Knob Kit, Compression Damper, Mission Control DH (low speed, high speed, retaining screw) Cannot be used with 2010 compression damper - Boxxer R2C2/WC 2011-2014
17	11.4015.471.010	Compression Damper, Mission Control DH (includes high and low speed adjuster knobs) Cannot be used with 2010 rebound damper - Boxxer R2C2/WorldCup 2011-2014
20	11.4015.516.010	Rebound Damper and Seal Head Kit (does not include shaft bolt and adjuster knobs, cannot be used with 2010 compression damper) - Boxxer R2C2/World Cup 2011-2014
22	11.4015.472.010	Rebound Damper Bottom Bolt/Adjust Knob Assembly (complete bottom bolt assembly with adjuster knobs) - Boxxer Team/R2C2/WC 2010-2014
23	11.4015.473.010	Rebound Damper Adjuster Knob Kit (includes low-speed and hi-speed adjuster knobs) Not compatible with 2010 Boxxer R2C2/WC - Boxxer Team/WC 2011-2014
24	11.4015.375.000	Coil Spring Top Cap, Qty 1 - Boxxer Race 2010-2014
25	11.4015.376.000	Coil Spring Pre-load Spacers, Qty 4 each - Boxxer Race/RC and Team/R2C2 2010-2014
26	11.4015.377.000	Coil Top-Cap/Drop-Stop Assembly (adjuster knob) - Boxxer Team/R2C2 2010-2014
27	11.4015.378.000	Adjuster Knob/Set-Screw, Coil Top-Cap/Drop-Stop - Boxxer Team/R2C2 2010-2014
28	11.4015.379.000	Drop-Stop Bumper, Qty 1 - Boxxer Team/R2C2 2010-2014
29	11.4015.380.000	Coil Spring, X-Soft, Silver - Boxxer Race/RC and Team/R2C2 2010-2014
29	11.4015.380.010	Coil Spring, Soft, Yellow - Boxxer Race/RC and Team/R2C2 2010-2014
29	11.4015.380.020	Coil Spring, Medium, Red standard - Boxxer Race/RC and Team/R2C2 2010-2014
29	11.4015.380.030	Coil Spring, Firm, Blue - Boxxer Race/RC and Team/R2C2 2010-2014
29	11.4015.380.040	Coil Spring, X-Firm, Black - Boxxer Race/RC and Team/R2C2 2010-2014
30	11.4015.381.000	Coil Spring Shaft (shaft bolt) - Boxxer Race/RC and Team/R2C2 2010-2014
31	11.4015.382.000	Coil Top-Out Spring Assembly - Boxxer Race/RC and Team/R2C2 2010-2014
32	11.4015.383.000	Solo Air Top Cap Assembly - 2010 Boxxer World Cup (cannot be used with 2011 Boxxer WC)
33	11.4015.474.010	Solo Air Top Cap Assembly (cannot be used with 2010 Boxxer WC) - Boxxer World Cup 2011-2014
34	11.4015.385.000	10 Boxxer World Cup Solo Air Spring Assembly (cannot be used with 2011 Boxxer World Cup)
35	11.4015.475.020	Solo Air Spring Assembly - 2011-2014 Boxxer World Cup (cannot be used with 2010 Boxxer WC)
36	11.4015.464.010	Solo Air Spring/Top Cap Assembly Retro Kit - 2010 Boxxer World Cup (includes 2011 Solo Air spring assy with 2010 upper tube base plate, and 2011 Solo Air Top Cap Assy, both are required)
37	11.4018.024.000	Base Plate/Scrapers Seal Boxxer Solo Air 2011 thru 2014
38	11.4015.361.000	Upper Tube/Frame Bumper Stop, Qty 2 - 2010-2014 Boxxer 35mm
ns	11.4015.386.000	Service Kit - Boxxer Race/RC 2010-2014
ns	11.4015.387.000	Service Kit - 2010 Boxxer Team
ns	11.4015.388.000	Service Kit - 2010 Boxxer World Cup
ns	11.4015.476.020	Service Kit - 2011-2014 Boxxer R2C2/WC
ns	00.4315.032.150	AM Fork Service Kit, Basic (includes dust seals, foam rings, o-ring seals) - Boxxer RC (2012-2014)
ns	00.4315.032.160	AM Fork Service Kit, Basic (includes dust seals, foam rings, o-ring seals) - Boxxer R2C2 (2012-2014)
ns	00.4315.032.170	AM Fork Service Kit, Basic (includes dust seals, foam rings, o-ring seals) - Boxxer World Cup (2012-2014)
39	11.4015.366.000	Maxle DH Axle Assembly - Boxxer 2010-2014
40	11.4015.366.010	Maxle DH, Wedge/Lever/Axle Kit - Boxxer 2010-2014
41	11.4015.066.000	Dust Seal 35mm - Domain/Lyrik/Boxxer Qty 20
42	11.4015.200.000	Oil Seal 35mm - Lyrik/Domain/Boxxer Qty 20
43	11.4308.327.002	Schrader Valve Core Qty 2
ns	11.4015.455.000	Cir-Clip, Rebound Knob, 2010 Boxxer Team/WC (35mm), Qty 20
ns	11.4309.073.000	Kit Disk Brake Cable Accessory
ns	00.4315.022.010	Schrader Valve Removal Tool Rockshox
ns	00.4315.023.020	Air Pump (high pressure/high volume convertible) RockShox Boxxer
ns	00.4315.023.030	High-Pressure Fork/Shock Pump (600 psi Max) RockShox



Note:
 1. BAR damper assemblies are NOT serviceable. DO NOT attempt to disassemble.
 2. BAR damper assemblies are fuxsembled including eyelet assembly. Installation of air can is all that is required for use. DO NOT attempt to disassemble.
 3. Decals are not included with BAR service kit, and are not available.

No.	Part Number	Description
1	11.4115.011.000	BAR Air Can 165mm
1	11.4115.010.000	BAR Air Can 191/200mm
2	11.4115.009.000	BAR Adjust Damper Assy 165mm
2	11.4115.008.000	BAR Adjust Damper Assy 191mm
2	11.4115.007.000	BAR Adjust Damper Assy 200mm
3	11.4115.005.000	BAR Air Valve Assembly
4	11.4115.004.000	Rear Shock Eyelet Bushings Qty 2 (12mm)
5	11.4115.006.000	BAR Service Kit (air can o-ring, wiper seal, u-cup and glidering)
6	11.4308.327.002	Schrader Valve Core Qty 2
ns	00.4315.022.010	Schrader Valve Removal Tool Rockshox
ns	00.4315.023.010	High-Pressure Fork/Shock Pump (300 psi Max) RockShox
ns	11.4115.075.010	Decal Kit, 2011 Bar
ns	11.4115.075.020	Decal Kit, Red 2011 Bar

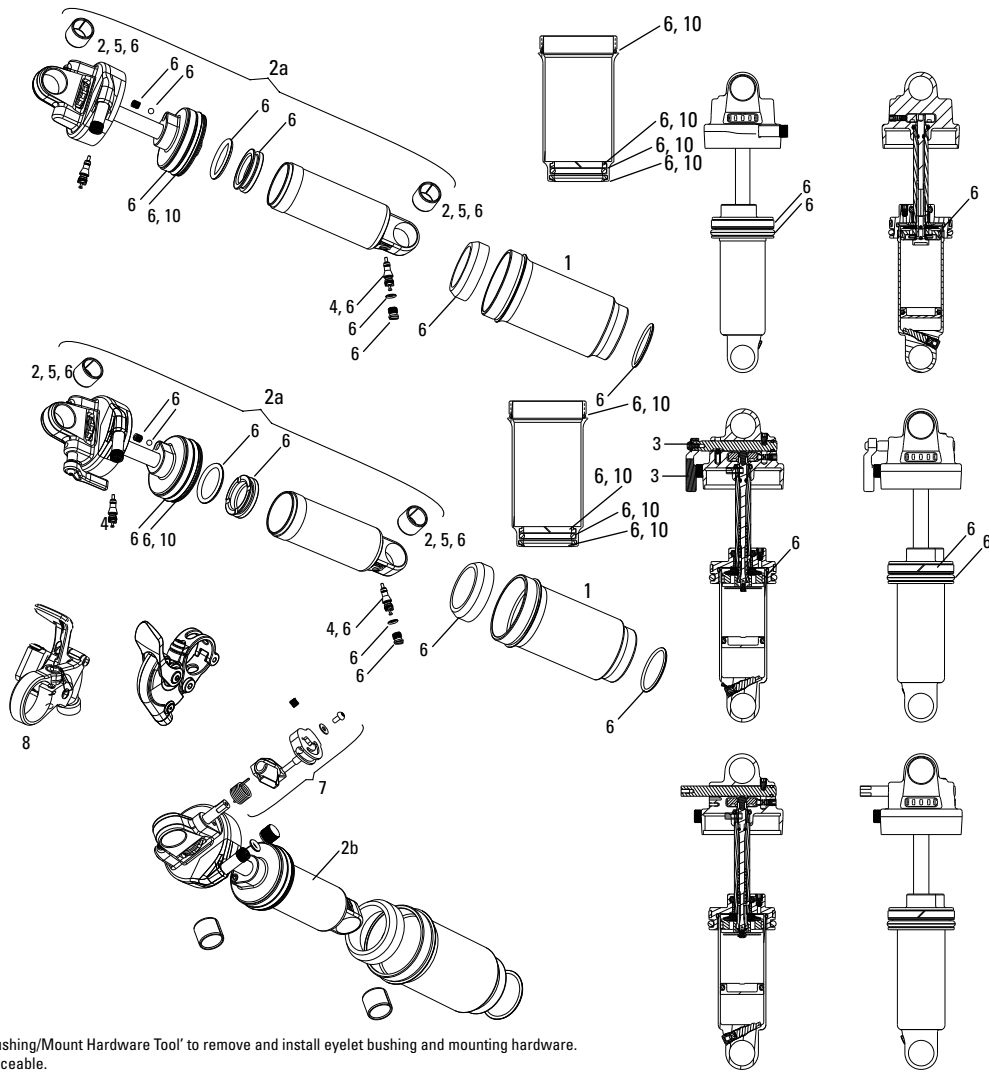
MOUNTING HARDWARE - 12mm x 12mm



Note:

Use with - BAR, ARIO (2005-2009), MC3, MC3R, PEARL

Part Number	Description
11.4115.004.000	Rear Shock Eyelet Bushings Qty 2 (12mm)
11.4311.646.000	05-07 Rear Shock Mounting Hardware 21.84x6mm 3-piece (1 set)
11.4311.647.000	05-07 Rear Shock Mounting Hardware 22.2x6mm 3-piece (1 set)
11.4311.648.000	05-07 Rear Shock Mounting Hardware 22.2x8mm 3-piece (1 set)
11.4311.649.000	05-07 Rear Shock Mounting Hardware 23.0x8mm 3-piece (1 set)
11.4311.650.000	05-07 Rear Shock Mounting Hardware 24.0x8mm 3-piece (1 set)
11.4311.654.000	05-07 Rear Shock Mounting Hardware 25.4x6mm 3-piece (1 set)
11.4311.655.000	05-07 Rear Shock Mounting Hardware 25.4x8mm 3-piece (1 set)
11.4311.771.000	05-07 Rear Shock Mounting Hardware 27.4x8mm 3-piece (1 set)
11.4311.656.000	05-07 Rear Shock Mounting Hardware 28.0x8mm 3-piece (1 set)
11.4311.657.000	05-07 Rear Shock Mounting Hardware 28.6x6mm 3-piece (1 set)
11.4311.658.000	05-07 Rear Shock Mounting Hardware 30.0x8mm 3-piece (1 set)
11.4311.662.000	05-07 Rear Shock Mounting Hardware 33.0x8mm 3-piece (1 set)
11.4311.663.000	05-07 Rear Shock Mounting Hardware 34.0x6mm 3-piece (1 set)
11.4311.664.000	05-07 Rear Shock Mounting Hardware 34.0x8mm 3-piece (1 set)
11.4112.993.000	05-07 Rear Shock Mounting Hardware 35.0x6mm 3-piece (1 set)
11.4012.738.000	05-07 Rear Shock Mounting Hardware 37.4x8mm 3-piece (1 set)
11.4309.666.000	05-07 Rear Shock Mounting Hardware 40.0x6mm 3-piece (1 set)
11.4308.404.000	05-07 Rear Shock Mounting Hardware 40.0x8mm 3-piece (1 set)
11.4308.409.000	05-07 Rear Shock Mounting Hardware 41.5x8mm 3-Piece (1 set)
11.4308.398.000	05-07 Rear Shock Mounting Hardware 42.0x8mm 3-piece (1 set)
11.4308.410.000	05-07 Rear Shock Mounting Hardware 44.0x8mm 3-piece (1 set)
11.4112.836.000	05-07 Rear Shock Mounting Hardware 44.5x8mm 3-piece (1 set)
11.4309.669.000	05-07 Rear Shock Mounting Hardware 46.0x8mm 3-piece (1 set)
11.4308.397.000	05-07 Rear Shock Mounting Hardware 50.0x6mm 3-piece (1 set)
11.4308.405.000	05-07 Rear Shock Mounting Hardware 50.0x8mm 3-piece (1 set)
11.4309.671.000	05-07 Rear Shock Mounting Hardware 51.95x8mm 3-piece (1 set)
11.4309.674.000	05-07 Rear Shock Mounting Hardware 56.0x8mm 3-piece (1 set)

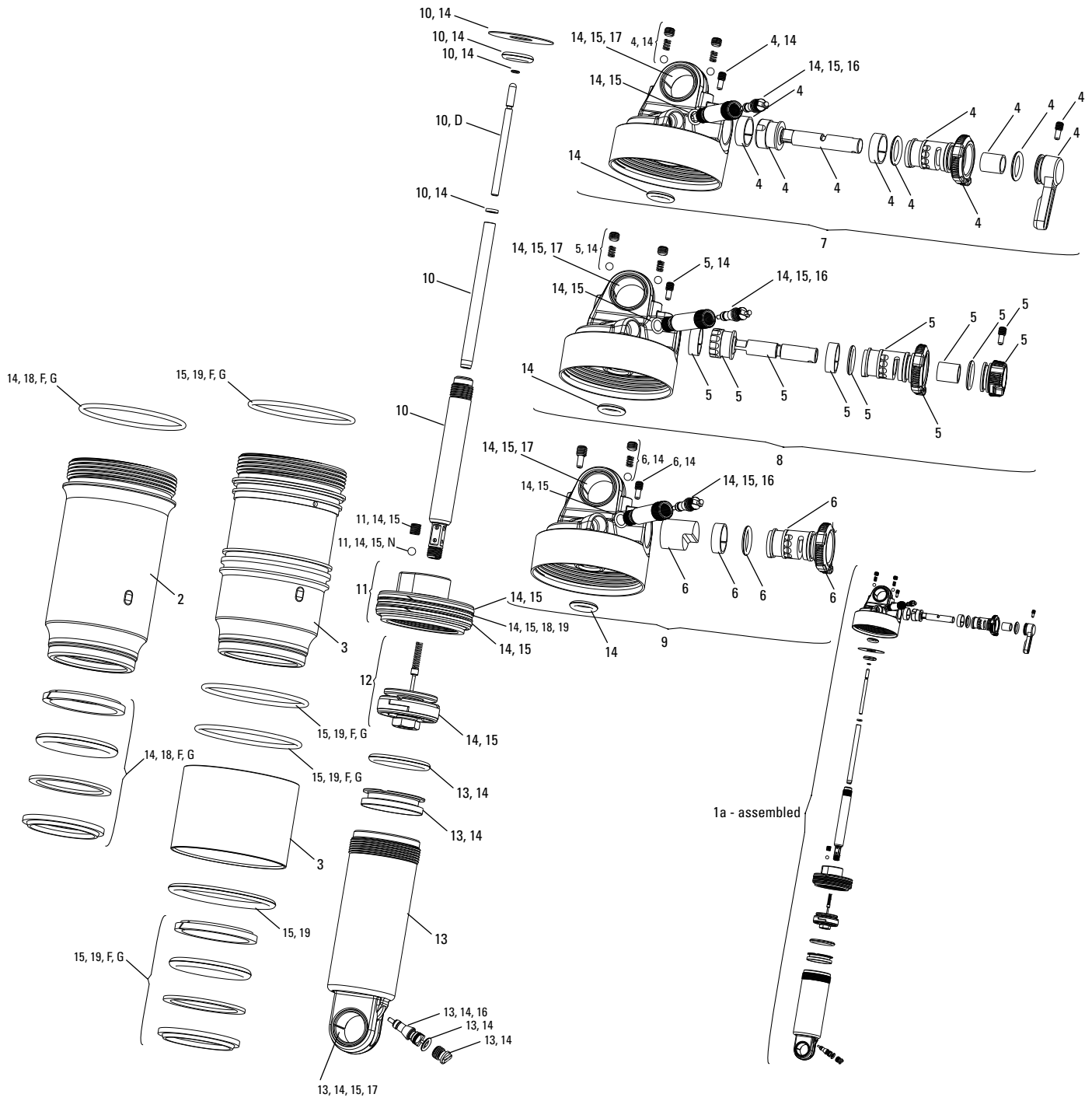


Note:

1. Use '1/2"x1/2" Rear Shock Bushing/Mount Hardware Tool' to remove and install eyelet bushing and mounting hardware.
2. Rebound adjuster is not replaceable.
3. Refer to RockShox technical manuals for service, oil and lubricant requirements.

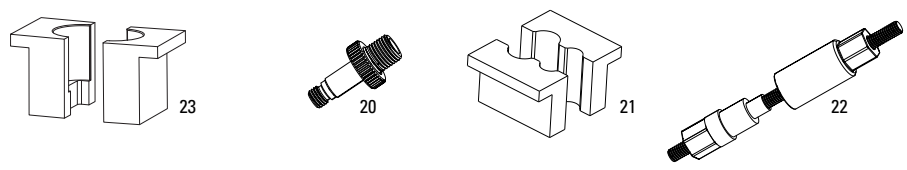
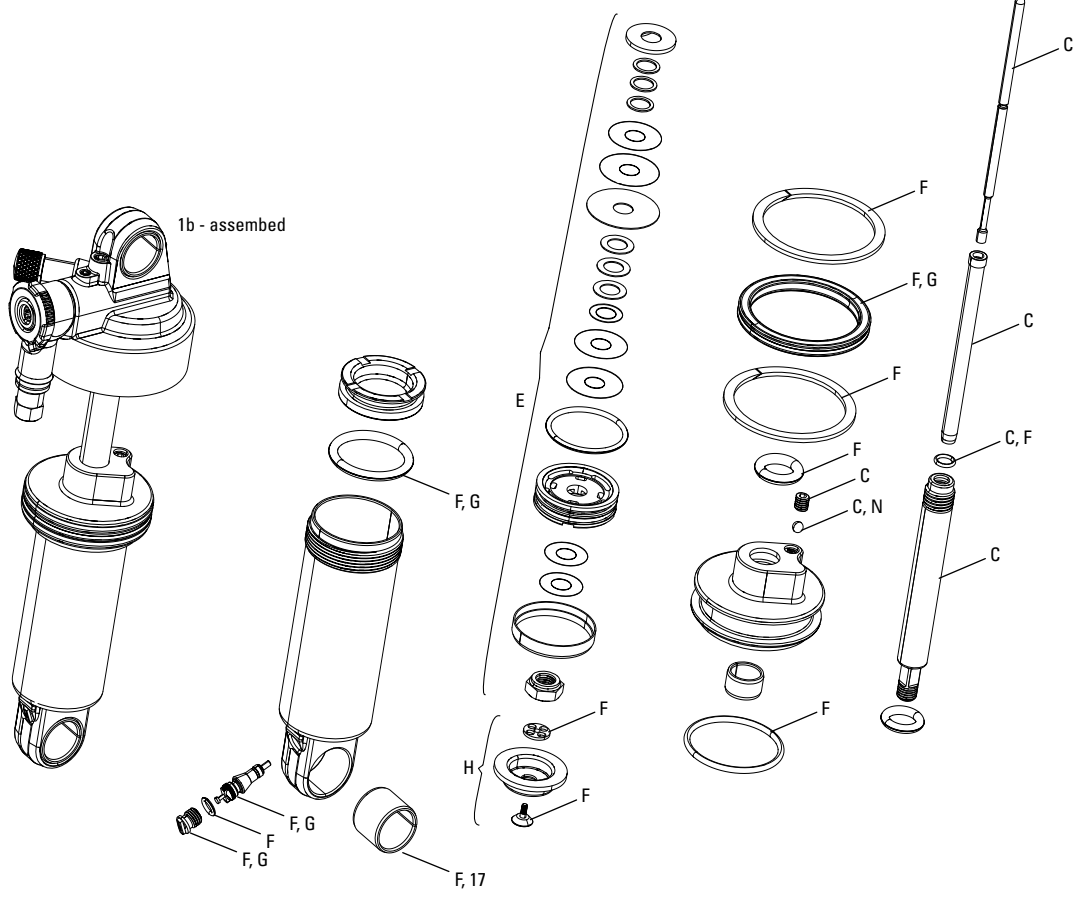
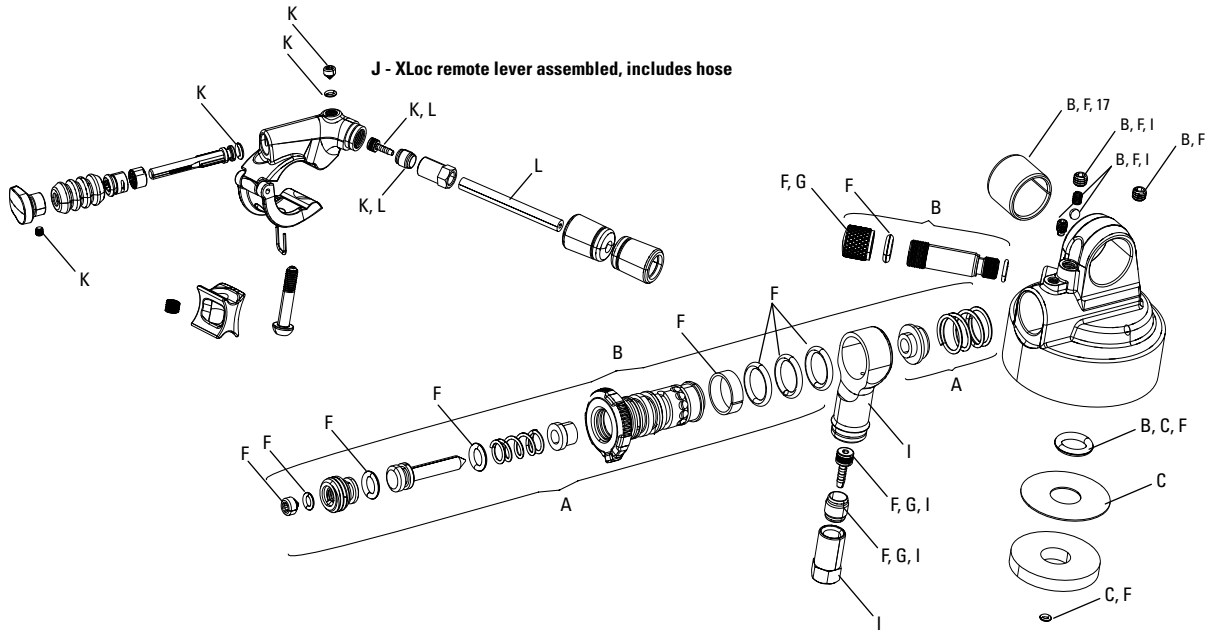
No.	Part Number	Description
1	11.4115.065.010	Air Can, 152mmx31mm - 2010-2012 Ario
1	11.4115.065.020	Air Can, 165mmx38mm - 2010-2012 Ario
1	11.4115.065.030	Air Can, 184mmx44mm - 2010-2012 Ario
1	11.4115.065.040	Air Can, 190mmx51mm / 200mmx51mm - 2010-2012 Ario
1	11.4115.065.050	Air Can, 200mmx57mm - 2010-2012 Ario
1	11.4115.065.060	Air Can, 216mmx63mm - 2010-2012 Ario
1	11.4115.065.070	Air Can, 222mmx66mm - 2010-2012 Ario
2a	11.4115.066.010	Damper Assembly, 152mmx31mm - 2010-2012 Ario 3.2
2a	11.4115.066.020	Damper Assembly, 165mmx38mm - 2010-2012 Ario 3.2
2a	11.4115.066.030	Damper Assembly, 184mmx44mm - 2010-2012 Ario 3.2
2a	11.4115.066.040	Damper Assembly, 190mmx51mm - 2010-2012 Ario 3.2
2a	11.4115.066.050	Damper Assembly, 200mmx51mm - 2010-2012 Ario 3.2
2a	11.4115.066.060	Damper Assembly, 200mmx57mm - 2010-2012 Ario 3.2
2a	11.4115.066.070	Damper Assembly, 216mmx63mm - 2010-2012 Ario 3.2
2a	11.4115.066.080	Damper Assembly, 222mmx66mm - 2010-2012 Ario 3.2
2b	11.4115.066.090	Damper Assembly, 165mmx38mm - 2010-2012 Ario 3.R (remote)
2b	11.4115.066.100	Damper Assembly, 190mmx51mm - 2010-2012 Ario 3.R (remote)
3	11.4115.040.000	Compression Lever - Monarch 3.3/4.2, 2010-2012 Ario 3.2
4	11.4308.327.002	Schrader Valve Core Qty 2
5	11.4115.013.000	Rear Shock Eyelet Bushing 1/2"x1/2" Qty 2
6	11.4115.067.000	Service Kit - 2010-2012 Ario
7	11.4115.073.010	Ario 3.R Remote Cam/Bracket Kit (bottom/top pull)
8	11.4311.184.000	PopLoc Lever Rear Right
ns	00.4315.032.260	AM Rear Shock Air Can Service Kit, Basic - Ario/(Monarch 2008-2010)
10	00.4315.027.010	Air Valve Adapter Tool - RockShox Monarch
ns	00.4115.154.010	Rear Shock Vise blocks, RockShox Monarch/Vivid/Vivid Air
ns	00.4315.026.010	1/2"x1/2" Rear Shock Bushing Tool (Eyelet/SealHead) RockShox
ns	00.4315.022.010	Schrader Valve Removal Tool Rockshox
ns	00.4315.023.010	High-Pressure Fork/Shock Pump (300 psi Max) RockShox
ns	00.4315.023.030	High-Pressure Fork/Shock Pump (600 psi Max) RockShox

MONARCH R / RT / RL (2011-2013) / RT3 (2011-2012)



Note:

1. Monarch RT3 damper assembly is available completely assembled (1).
2. 2011-2012 Monarch parts are not compatible with pre-2011 Monarch rear shocks. 2011-2012 Monarch RT3 parts are not compatible with 2013 Monarch RT3.
3. All 2011-2012 Monarch damper assemblies are compatible with both standard and high-volume air can assemblies; air can includes all seals installed.
4. Monarch Service Kit (full) intended for air seal and oil change/service to damper. Monarch Service Kit (basic) intended for air seal service only.
5. Refer to RockShox technical manuals for service, oil and lubricant requirements.
6. Use '1/2"x1/2" Rear Shock Bushing/Mount Hardware Tool' to remove and install eyelet bushing and mounting hardware.
7. Air can assemblies are compatible with Monarch R, RL, RT3, and XX; not compatible with 2013 Monarch RT3.



MONARCH R / RT / RL (2011-2013) / RT3 (2011-2012) MONARCH XX (2012-2013)



No.	Part Number	Description
1a		See 2013 Monarch RT3 pages for replacement Damper Assembly kits
1b	11.4118.000.000	Damper Assy Monarch XX 152x32mm
1b	11.4118.000.010	Damper Assy Monarch XX 165x38mm
1b	11.4118.000.020	Damper Assy Monarch XX 184x44mm
1b	11.4118.000.030	Damper Assy Monarch XX 190x51mm
1b	11.4118.000.040	Damper Assy Monarch XX 200x51mm
1b	11.4118.000.050	Damper Assy Monarch XX 200x57mm
1b	11.4118.000.060	Damper Assy Monarch XX 203x57mm
1b	11.4118.000.070	Damper Assy Monarch XX 216x63mm
1b	11.4118.000.080	Damper Assy Monarch XX 222x66mm

MONARCH R / RT / RL (2011-2013) / RT3 (2011-2012) MONARCH XX (2012-2013)



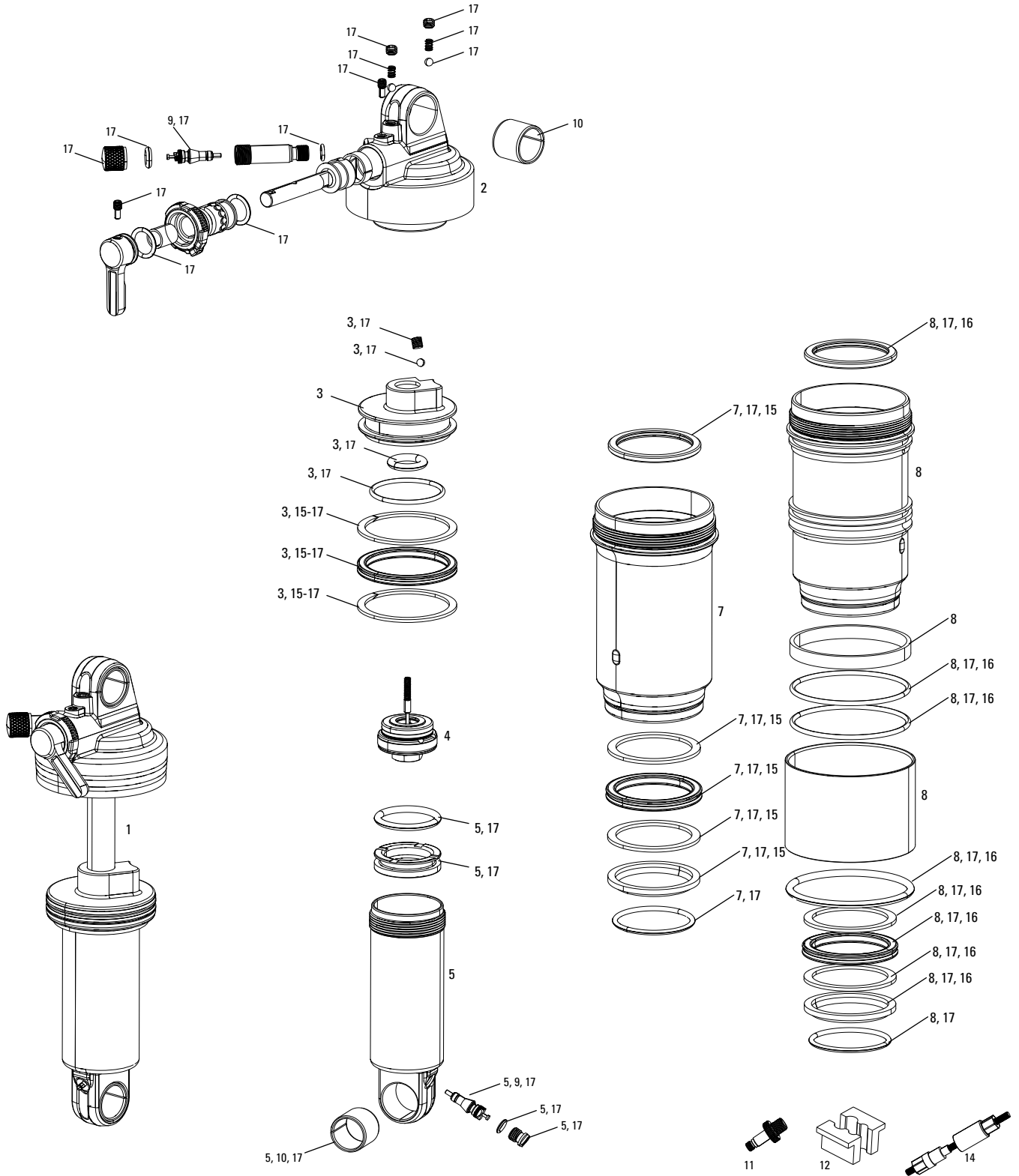
No.	Part Number	Description
1b	11.4118.000.090	Damper Assy - Monarch XX 152x32 Mid Rebound/Mid Compression White
1b	11.4118.000.100	Damper Assy - Monarch XX 165x38 Mid Rebound/Mid Compression White
1b	11.4118.000.110	Damper Assy - Monarch XX 184x44 Mid Rebound/Mid Compression White
1b	11.4118.000.120	Damper Assy - Monarch XX 190x51 Mid Rebound/Mid Compression White
1b	11.4118.000.130	Damper Assy - Monarch XX 200x51 Mid Rebound/Mid Compression White
1b	11.4118.000.140	Damper Assy - Monarch XX 200x57 Mid Rebound/Mid Compression White
1b	11.4118.000.150	Damper Assy - Monarch XX 203x57 Mid Rebound/Mid Compression White
1b	11.4118.000.160	Damper Assy - Monarch XX 216x63 Mid Rebound/Mid Compression White
1b	11.4118.000.170	Damper Assy - Monarch XX 222x66 Mid Rebound/Mid Compression White
2	11.4115.106.010	Air Can Black Monarch/Plus RC3/RT/R(2011-2013) Monarch RT3 (2011-2012) 152x31
2	11.4115.106.020	Air Can Black Monarch/Plus RC3/RT/R(2011-2013) Monarch RT3 (2011-2012) 165x38
2	11.4115.106.030	Air Can Black Monarch/Plus RC3/RT/R(2011-2013) Monarch RT3 (2011-2012) 184x44
2	11.4115.106.040	Air Can Black Monarch/Plus RC3/RT/R(2011-2013) Monarch RT3 (2011-2012) 190x51 / 200x51
2	11.4115.106.050	Air Can Black Monarch/Plus RC3/RT/R(2011-2013) Monarch RT3 (2011-2012) 200x57
2	11.4115.106.060	Air Can Black Monarch/Plus RC3/RT/R(2011-2013) Monarch RT3 (2011-2012) 216x63
2	11.4115.106.070	Air Can Black Monarch/Plus RC3/RT/R(2011-2013) Monarch RT3 (2011-2012) 222x66
2	11.4115.106.130	Air Can White 2011-2013 Monarch/Plus 152x31
2	11.4115.106.140	Air Can White 2011-2013 Monarch/Plus 165x38
2	11.4115.106.150	Air Can White 2011-2013 Monarch/Plus 184x44
2	11.4115.106.160	Air Can White 2011-2013 Monarch/Plus 190x51 / 200x51
2	11.4115.106.170	Air Can White 2011-2013 Monarch/Plus 200x57
2	11.4115.106.180	Air Can White 2011-2013 Monarch/Plus 216x63
2	11.4115.106.190	Air Can White 2011-2013 Monarch/Plus 222x66
3	11.4115.106.080	Air Can Black HIGH VOLUME Monarch/Plus RC3/RT/R(2011-2013) Monarch RT3 (2011-2012) 184x44
3	11.4115.106.090	Air Can Black HIGH VOLUME Monarch/Plus RC3/RT/R(2011-2013) Monarch RT3 (2011-2012) 190x51 / 200x51
3	11.4115.106.100	Air Can Black HIGH VOLUME Monarch/Plus RC3/RT/R(2011-2013) Monarch RT3 (2011-2012) 200x57
3	11.4115.106.110	Air Can Black HIGH VOLUME Monarch/Plus RC3/RT/R(2011-2013) Monarch RT3 (2011-2012) 216x63
3	11.4115.106.120	Air Can Black HIGH VOLUME Monarch/Plus RC3/RT/R(2011-2013) Monarch RT3 (2011-2012) 222x66
3	11.4115.106.200	Air Can White High Volume 2011-2013 Monarch/Plus 184x44
3	11.4115.106.210	Air Can White High Volume 2011-2013 Monarch/Plus 190x51 / 200x51
3	11.4115.106.220	Air Can White High Volume 2011-2013 Monarch/Plus 200x57
3	11.4115.106.230	Air Can White High Volume 2011-2013 Monarch/Plus 216x63
3	11.4115.106.240	Air Can White High Volume 2011-2013 Monarch/Plus 222x66
4	11.4115.107.010	Rebound Knob/Compression Lever Kit - Monarch RT3 11-12
5	11.4115.107.020	Rebound Knob/Floodgate Knob Kit - Monarch RT 11-12
7	11.4115.108.010	Eyelet Assembly - Monarch RT3 11-12
8	11.4115.108.020	Eyelet Assembly - Monarch RT 11-12
9	11.4115.108.030	Eyelet Assembly - Monarch R 11-12
7	11.4115.108.040	Eyelet Assembly White - Monarch RT3 11-12
8	11.4115.108.050	Eyelet Assembly White - Monarch RT 11-12
9	11.4115.108.060	Eyelet Assembly White - Monarch R 11-12
B	11.4118.003.000	Eyelet Assembly - Monarch XX Remote Black
B	11.4118.003.010	Eyelet Assembly - Monarch XX Remote White
9	11.4118.011.000	Eyelet Assembly Kit 2013 Monarch R Black
8	11.4118.011.001	Eyelet Assembly Kit 2013 Monarch RT/RL Black
ns	11.4118.035.017	Eyelet Assembly - Monarch RL TREK Trunnion B1
10	11.4115.109.010	Shaft & Adjuster Rod Kit - Monarch RT3/RT/R 152x31
10	11.4115.109.020	Shaft & Adjuster Rod Kit - Monarch RT3/RT/R 165x38
10	11.4115.109.030	Shaft & Adjuster Rod Kit - Monarch RT3/RT/R 184x44
10	11.4115.109.040	Shaft & Adjuster Rod Kit - Monarch RT3/RT/R 190x51 / 200x51
10	11.4115.109.050	Shaft & Adjuster Rod Kit - Monarch RT3/RT/R 200x57/203x57
10	11.4115.109.060	Shaft & Adjuster Rod Kit - Monarch RT3/RT/R 216x63
10	11.4115.109.070	Shaft & Adjuster Rod Kit - Monarch RT3/RT/R 222x66
C	11.4118.004.000	Shaft & Adjuster Rod Kit - Monarch XX 152x32
C	11.4118.004.010	Shaft & Adjuster Rod Kit - Monarch XX 165x38
C	11.4118.004.020	Shaft & Adjuster Rod Kit - Monarch XX 184x44
C	11.4118.004.030	Shaft & Adjuster Rod Kit - Monarch XX 190x51 / 200x51
C	11.4118.004.040	Shaft & Adjuster Rod Kit - Monarch XX 200x57/203x57
C	11.4118.004.050	Shaft & Adjuster Rod Kit - Monarch XX 216x63
C	11.4118.004.060	Shaft & Adjuster Rod Kit - Monarch XX 222x66
ns	11.4118.009.000	Shaft Kit 2013 Monarch R 152x31 (includes washer, gate rod, rebound rod, shaft, orings)
ns	11.4118.009.001	Shaft Kit 2013 Monarch R 165x38 (includes washer, gate rod, rebound rod, shaft, orings)
ns	11.4118.009.002	Shaft Kit 2013 Monarch R 184x44 (includes washer, gate rod, rebound rod, shaft, orings)
ns	11.4118.009.003	Shaft Kit 2013 Monarch R 190/200x51 (includes washer, gate rod, rebound rod, shaft, orings)
ns	11.4118.009.004	Shaft Kit 2013 Monarch R 200/203x57 (includes washer, gate rod, rebound rod, shaft, orings)
ns	11.4118.009.005	Shaft Kit 2013 Monarch R 216x63 (includes washer, gate rod, rebound rod, shaft, orings)
ns	11.4118.009.006	Shaft Kit 2013 Monarch R 222x66 (includes washer, gate rod, rebound rod, shaft, orings)
ns	11.4118.009.007	Shaft Kit 2013 Monarch RL/RT 152x31 (includes washer, gate rod, rebound rod, shaft, orings)
ns	11.4118.009.008	Shaft Kit 2013 Monarch RL/RT 165x38 (includes washer, gate rod, rebound rod, shaft, orings)
ns	11.4118.009.009	Shaft Kit 2013 Monarch RL/RT 184x44 (includes washer, gate rod, rebound rod, shaft, orings)
ns	11.4118.009.010	Shaft Kit 2013 Monarch RL/RT 190/200x51 (includes washer, gate rod, rebound rod, shaft, orings)
ns	11.4118.009.011	Shaft Kit 2013 Monarch RL/RT 200/203x57 (includes washer, gate rod, rebound rod, shaft, orings)
ns	11.4118.009.012	Shaft Kit 2013 Monarch RL/RT 216x63 (includes washer, gate rod, rebound rod, shaft, orings)
ns	11.4118.009.013	Shaft Kit 2013 Monarch RL/RT 222x66 (includes washer, gate rod, rebound rod, shaft, orings)
D	11.4115.133.010	Rebound Rod 2011-2012 Monarch 152X31
D	11.4115.133.020	Rebound Rod 2011-2012 Monarch 165X38
D	11.4115.133.030	Rebound Rod 2011-2012 Monarch 184X44
D	11.4115.133.040	Rebound Rod 2011-2012 Monarch 190X51/200X51
D	11.4115.133.050	Rebound Rod 2011-2012 Monarch 200X57/203X57
D	11.4115.133.060	Rebound Rod 2011-2012 Monarch 216X63
D	11.4115.133.070	Rebound Rod 2011-2012 Monarch 222X66
11	11.4115.110.010	Fixed Piston Assembly - Monarch 2012 RT3/2012-2013 RT R XX/2013 RL
12	11.4115.111.010	Main Piston, Tune Rebound-Mid/Compression-Low - Monarch RT3/RT/R
12	11.4115.111.020	Main Piston, Tune Rebound-Mid/Compression-Mid - Monarch RT3/RT/R
12	11.4115.111.030	Main Piston, Tune Rebound-Mid/Compression-High - Monarch RT3/RT/R
12	11.4115.111.040	Main Piston, Tune Rebound-Mid/Compression-Low 3 - Monarch RT3/RT/R
12	11.4115.111.050	Main Piston, Tune Rebound-Mid/Compression-High 3 - Monarch RT3/RT/R
12	11.4115.111.060	Main Piston, Tune Rebound-Mid/Compression-Mid 3 - Monarch RT3/RT/R

MONARCH R / RT / RL (2011-2013) / RT3 (2011-2012) MONARCH XX (2012-2013)



No.	Part Number	Description
12	11.4115.111.070	Main Piston, Tune Rebound-Low/Compression-Low - Monarch RT3/RT/R
12	11.4115.111.080	Main Piston, Tune Rebound-Low/Compression-Mid - Monarch RT3/RT/R
12	11.4115.111.090	Main Piston, Tune Rebound-High/Compression-High 3 - Monarch RT3/RT/R
12	11.4115.111.100	Main Piston, Tune Rebound-High/Compression-Mid 3 - Monarch RT3/RT/R
E	11.4118.005.010	Main Piston Tune MM Monarch XX/2013 Monarch RL
12	11.4118.012.000	Tune Assembly 2013 Monarch R ML (medium rebound, low compression)
12	11.4118.012.001	Tune Assembly 2013 Monarch R MM (medium rebound, medium compression)
12	11.4118.012.002	Tune Assembly 2013 Monarch R MH (medium rebound, high compression)
12	11.4118.012.003	Tune Assembly 2013 Monarch R LL (low rebound, low compression)
12	11.4118.012.004	Tune Assembly 2013 Monarch R HH (high rebound, high compression)
12	11.4118.012.005	Tune Assembly 2013 Monarch R MH3 (medium rebound, high 3 compression)
12	11.4118.012.006	Tune Assembly 2013 Monarch R LM (low rebound, medium compression)
12	11.4118.012.007	Tune Assembly 2013 Monarch RT ML (medium rebound, low compression)
12	11.4118.012.008	Tune Assembly 2013 Monarch RT MM (medium rebound, medium compression)
H	11.4118.008.000	Lockout Plate Kit, Monarch XX/ 2013 Monarch RL/RT
13	11.4115.112.010	Damper Body/IFP - Monarch RT3/RL/RT/R 152x31
13	11.4115.112.020	Damper Body/IFP - Monarch RT3/RL/RT/R 165x38
13	11.4115.112.030	Damper Body/IFP - Monarch RT3/RL/RT/R 184x44
13	11.4115.112.040	Damper Body/IFP - Monarch RT3/RL/RT/R 190x51
13	11.4115.112.050	Damper Body/IFP - Monarch RT3/RL/RT/R 200x51
13	11.4115.112.060	Damper Body/IFP - Monarch RT3/RL/RT/R 200x57
13	11.4115.112.070	Damper Body/IFP - Monarch RT3/RL/RT/R 203x57
13	11.4115.112.080	Damper Body/IFP - Monarch RT3/RL/RT/R 216x63
13	11.4115.112.090	Damper Body/IFP - Monarch RT3/RL/RT/R 222x66
ns	11.4118.037.009	Damper Body/IFP - Monarch TREK Trunnion 171x44, A1
ns	11.4118.037.010	Damper Body/IFP - Monarch TREK Trunnion 184x51, A1
14	11.4115.113.010	Service Kit Full - 2011 Monarch RT3/RT/R
15	11.4115.113.020	Service Kit Basic - 2011 Monarch RT3/RT/R
F	11.4118.006.000	Service Kit Full - 2012 Monarch XX
G	11.4118.006.010	Service Kit Basic - 2012 Monarch XX
N	11.4115.132.010	Ball Nylon, Bleed, Fixed Piston - Monarch/Monarch Plus, Qty 20
16	11.4308.327.002	Schrader Valve Core Qty 2
17	11.4115.013.000	Rear Shock Eyelet Bushing 1/2"x1/2" Qty 2
18	00.4315.032.240	AM Rear Shock Air Can Service Kit, Basic - Monarch/Monarch Plus (2012)
19	00.4315.032.250	AM Rear Shock Air Can High Volume Service Kit, Basic - Monarch/Monarch Plus (2012)
I	11.4118.002.000	Banjo/Compression Fitting/Threaded Barb Kit - Monarch XX
J	11.4318.000.000	Remote Xloc Monarch XX Left Black (hose/banjo)
J	11.4318.000.010	Remote Xloc Monarch XX Right Black (hose/banjo)
K	11.4318.001.000	Xloc Remote Service Kit MN XX
L	11.4318.002.040	Hydraulic Hoses/Barbs/Compression Fittings XLoc Monarch XX 1250mm Qty 2 (use with suspension fluid only) A2-B1 (2013-2014)
L	11.4318.002.050	Hydraulic Hoses/Barbs/Compression Fittings XLoc Monarch XX 1250mm Qty 10 (use with suspension fluid only) A2-B1 (2013-2014)
ns	11.4115.039.000	Monarch Air Can (HV) Tuning Kit
ns	11.4318.003.178	Decal Kit Monarch R White
ns	11.4318.003.179	Decal Kit Monarch R Black
ns	11.4318.003.180	Decal Kit Monarch R High Volume White
ns	11.4318.003.181	Decal Kit Monarch R High Volume Black
ns	11.4318.003.194	Decal Kit Monarch RT White
ns	11.4318.003.195	Decal Kit Monarch RT Black
ns	11.4318.003.196	Decal Kit Monarch RT High Volume White
ns	11.4318.003.197	Decal Kit Monarch RT High Volume Black
ns	11.4318.003.182	Decal Kit Monarch RL White
ns	11.4318.003.183	Decal Kit Monarch RL Black
ns	11.4318.003.184	Decal Kit Monarch RL High Volume White
ns	11.4318.003.185	Decal Kit Monarch RL High Volume Black
ns	11.4318.003.190	Decal Kit Monarch XX White
ns	11.4318.003.191	Decal Kit Monarch XX Black
ns	11.4318.003.192	Decal Kit Monarch XX High Volume White
ns	11.4318.003.193	Decal Kit Monarch XX High Volume Black
ns	11.4115.115.010	Decal, Rear Shock, Tune (ML) - 2011 Vivid/Monarch Qty 10
ns	11.4115.115.020	Decal, Rear Shock, Tune (MM) - 2011 Vivid/Monarch Qty 10
ns	11.4115.115.030	Decal, Rear Shock, Tune (MH) - 2011 Vivid/Monarch Qty 10
ns	11.4115.115.040	Decal, Rear Shock, Tune (ML3) - 2011 Vivid/Monarch Qty 10
ns	11.4115.115.050	Decal, Rear Shock, Tune (MH3) - 2011 Vivid/Monarch Qty 10
ns	11.4115.115.060	Decal, Rear Shock, Tune (LL3) - 2011 Vivid/Monarch Qty 10
ns	11.4115.115.070	Decal, Rear Shock, Tune (LL) - 2011 Vivid/Monarch Qty 10
ns	11.4115.115.080	Decal, Rear Shock, Tune (LM) - 2011 Vivid/Monarch Qty 10
ns	11.4115.115.090	Decal, Rear Shock, Tune (LH) - 2011 Vivid/Monarch Qty 10
ns	11.4115.115.100	Decal, Rear Shock, Tune (LH3) - 2011 Vivid/Monarch Qty 10
ns	11.4115.115.110	Decal, Rear Shock, Tune (HL) - 2011 Vivid/Monarch Qty 10
ns	11.4115.115.120	Decal, Rear Shock, Tune (HL3) - 2011 Vivid/Monarch Qty 10
ns	11.4115.115.130	Decal, Rear Shock, Tune (HM) - 2011 Vivid/Monarch Qty 10
ns	11.4115.115.140	Decal, Rear Shock, Tune (HH) - 2011 Vivid/Monarch Qty 10
ns	11.4115.115.150	Decal, Rear Shock, Tune (HH3) - 2011 Vivid/Monarch Qty 10
20	00.4315.027.010	Air Valve Adapter Tool - RockShox Monarch
21	00.4115.154.010	Rear Shock Vise blocks, RockShox Monarch/Vivid/Vivid Air
23	00.4118.013.000	Rear Shock Body Vise blocks, RockShox Monarch
22	00.4315.026.010	1/2"x1/2" Rear Shock Bushing Tool (Eyelet/SealHead) RockShox
ns	00.4315.022.010	Schrader Valve Removal Tool Rockshox
ns	00.4315.023.010	High-Pressure Fork/Shock Pump (300 psi Max) RockShox
ns	00.4315.023.030	High-Pressure Fork/Shock Pump (600 psi Max) RockShox
ns	11.4115.094.010	Lubricant, Rear Shock Air Can, Maxima 15W 50, 1 Liter Bottle
ns	11.4115.094.020	Lubricant, Rear Shock Seals, Parker O-Lube, 2g tube
ns	11.4315.004.030	RockShox Rear Suspension Damping Fluid 7wt 16oz bottle
ns	11.4315.021.060	RockShox Rear Suspension Damping Fluid 7wt 120ml bottle

MONARCH RT3 (2013)



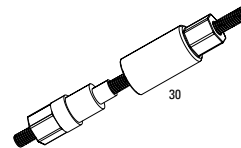
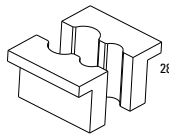
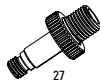
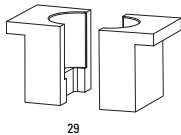
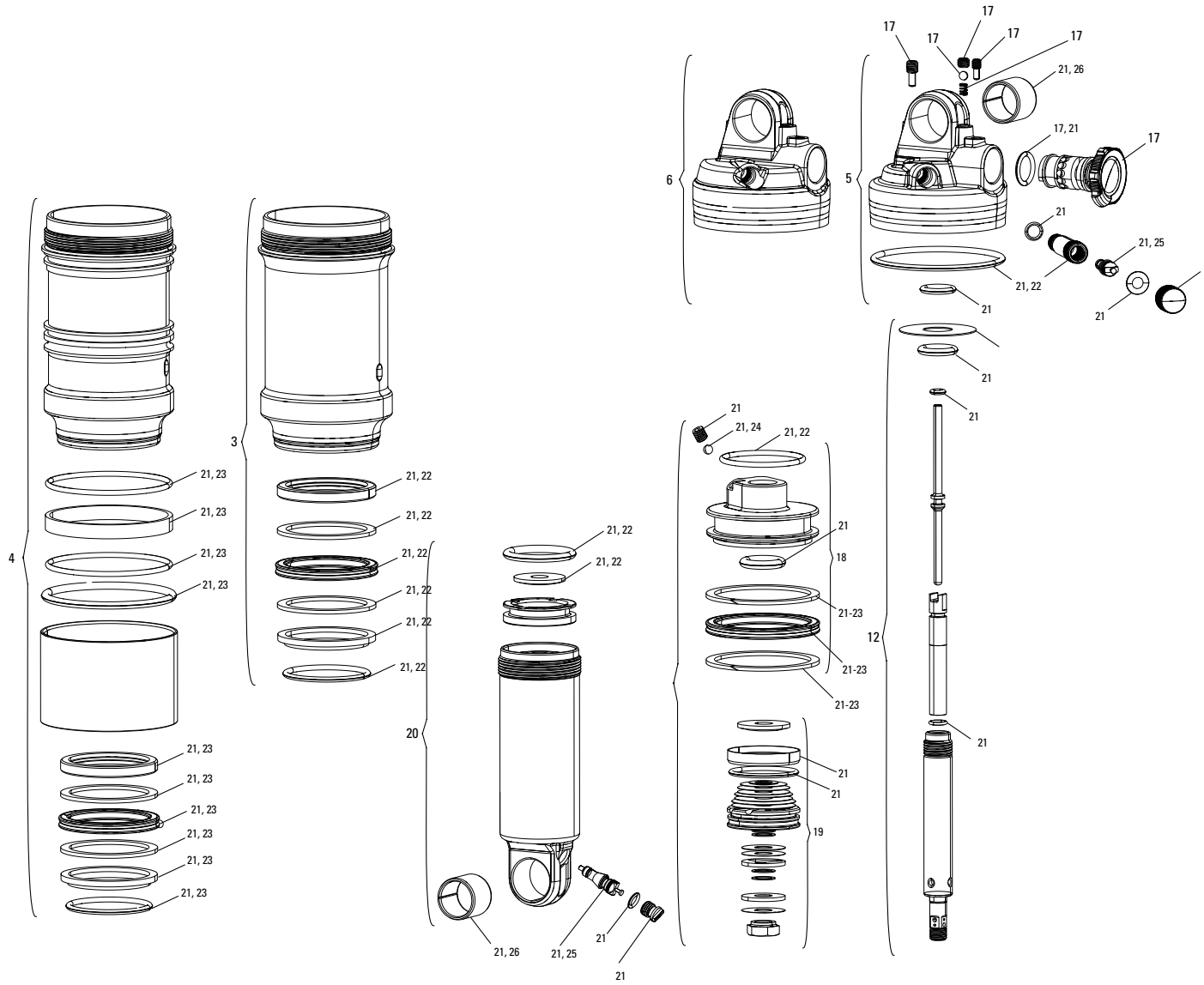
Note:

1. Monarch RT3 damper assembly is available completely assembled (1).
2. 2013 Monarch RT3 parts, including air cans, are not compatible with pre-2013 Monarch rear shocks.
3. 2013 Monarch RT3 shaft and shaft adjuster rod are not serviceable. Do not attempt to disassemble.
4. Monarch service kit (full) intended for air seal and oil change/service to damper. Service kit includes all o-rings, glide rings, air valves, eyelet bushings and wear items.
5. Monarch service kit (air can) intended for air seal service only. Service kit includes air can o-rings and IFP o-ring.
6. Refer to RockShox technical manuals for service, oil and lubricant requirements.
7. Use 1/2"x1/2" Rear Shock Bushing/Mount Hardware Tool to remove and install eyelet bushing and mounting hardware.
8. All eyelet assemblies are fully assembled
9. Damper assemblies are fully assembled

MONARCH RT3 (2013)

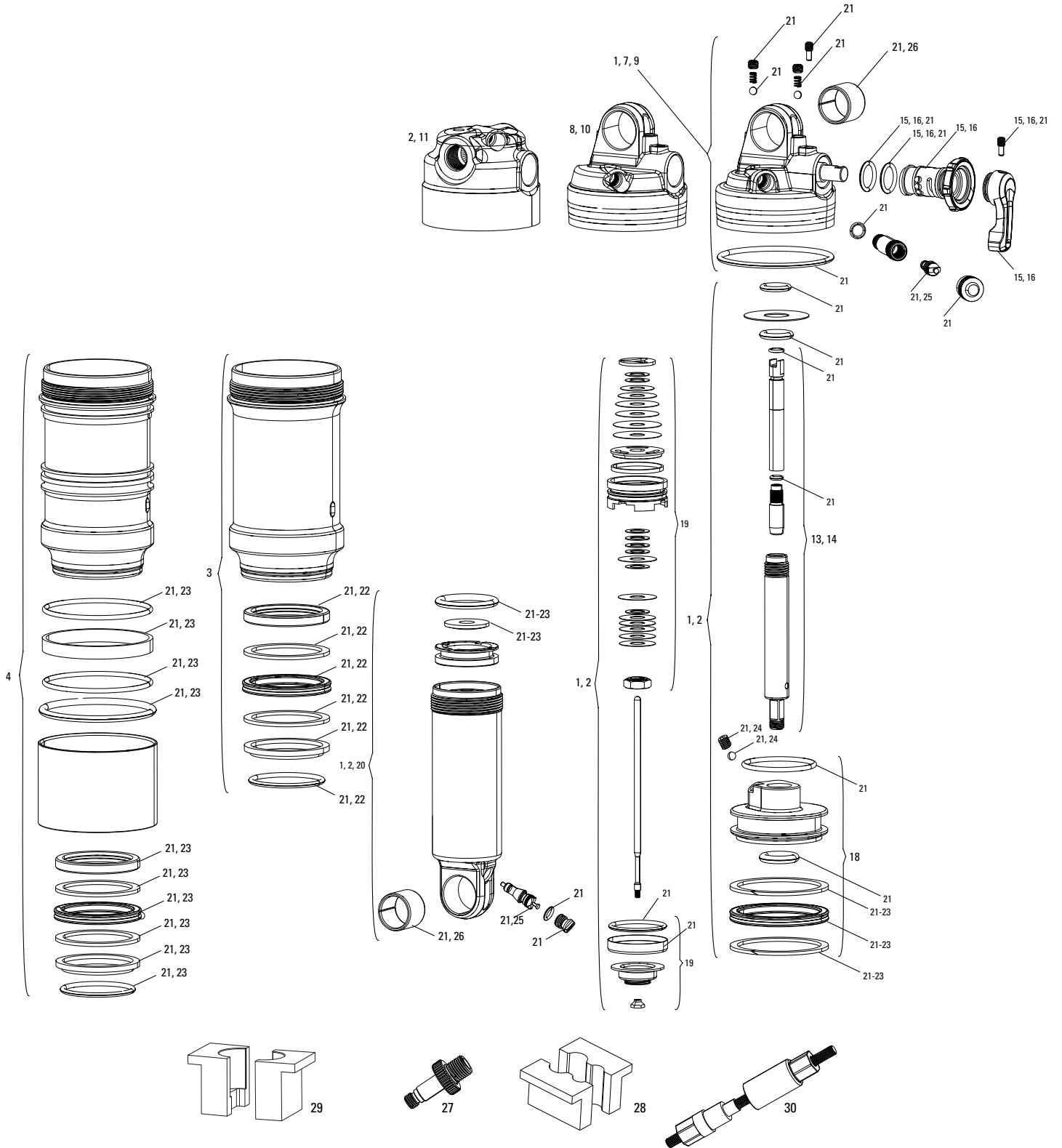


No.	Part Number	Description
1	11.4118.010.091	Damper Assembly Kit (assembled) 2013 Monarch RT3 Black 222X66 Medium Rebound/High Compression/Firm Threshold
1	11.4118.010.092	Damper Assembly Kit (assembled) 2013 Monarch RT3 Black 222X66 Medium Rebound/Low Compression/Soft Threshold
1	11.4118.010.093	Damper Assembly Kit (assembled) 2013 Monarch RT3 Black 222X66 Medium Rebound/Low Compression 4/Soft Threshold
1	11.4118.010.094	Damper Assembly Kit (assembled) 2013 Monarch RT3 Black 222X66 Medium Rebound/Medium Compression/Firm Threshold
1	11.4118.010.095	Damper Assembly Kit (assembled) 2013 Monarch RT3 Black 222X66 Medium Rebound/Medium Compression/Soft Threshold
1	11.4118.010.096	Damper Assembly Kit (assembled) 2013 Monarch RT3 Black HV 222X66 Medium Rebound/Low Compression 3/Firm Threshold
2	11.4118.011.002	Eyelet Assembly Kit 2013 Monarch RT3 Black
3	11.4118.013.000	Fixed Piston Assembly - Monarch 2014, B1(Plus,RL,XX), C1(R,RT,RT3)
4	11.4118.012.009	Tune Assembly 2013 Monarch RT3 MM S 320 (medium rebound, medium compression, soft threshold)
4	11.4118.012.010	Tune Assembly 2013 Monarch RT3 ML4 S 320 (medium rebound, medium compression, soft threshold)
4	11.4118.012.011	Tune Assembly 2013 Monarch RT3 ML4 S 377 (medium rebound, medium compression, soft threshold)
4	11.4118.012.012	Tune Assembly 2013 Monarch RT3 MM F 320 (medium rebound, medium compression, firm threshold)
4	11.4118.012.013	Tune Assembly 2013 Monarch RT3 ML3 F 320 (medium rebound, low 3 compression, firm threshold)
4	11.4118.012.014	Tune Assembly 2013 Monarch RT3 ML F 320 (medium rebound, low compression, firm threshold)
4	11.4118.012.015	Tune Assembly 2013 Monarch RT3 ML S 219 (soft rebound, low compression, soft threshold)
4	11.4118.012.016	Tune Assembly 2013 Monarch RT3 LH F 320 (low rebound, high compression, firm threshold)
4	11.4118.012.017	Tune Assembly 2013 Monarch RT3 HL S 219 (high rebound, low compression, soft threshold)
4	11.4118.012.018	Tune Assembly 2013 Monarch RT3 HM S 320 (high rebound, mid compression, soft threshold)
4	11.4118.012.019	Tune Assembly 2013 Monarch RT3 LL S 219 (low rebound, low compression, soft threshold)
4	11.4118.012.020	Tune Assembly 2013 Monarch RT3 LM S 320 (low rebound, medium compression, soft threshold)
4	11.4118.012.021	Tune Assembly 2013 Monarch RT3 MH F 320 (mid rebound, high compression, firm threshold)
4	11.4118.012.022	Tune Assembly 2013 Monarch RT3 HH F 320 (high rebound, high compression, firm threshold)
5	11.4115.112.010	Damper Body/IFP - Monarch RT3/RL/RT/R 152x31
5	11.4115.112.020	Damper Body/IFP - Monarch RT3/RL/RT/R 165x38
5	11.4115.112.030	Damper Body/IFP - Monarch RT3/RL/RT/R 184x44
5	11.4115.112.040	Damper Body/IFP - Monarch RT3/RL/RT/R 190x51
5	11.4115.112.050	Damper Body/IFP - Monarch RT3/RL/RT/R 200x51
5	11.4115.112.060	Damper Body/IFP - Monarch RT3/RL/RT/R 200x57
5	11.4115.112.070	Damper Body/IFP - Monarch RT3/RL/RT/R 203x57
5	11.4115.112.080	Damper Body/IFP - Monarch RT3/RL/RT/R 216x63
5	11.4115.112.090	Damper Body/IFP - Monarch RT3/RL/RT/R 222x66
5	11.4118.037.009	Damper Body/IFP - Monarch TREK Trunnion 171x44, A1
5	11.4118.037.010	Damper Body/IFP - Monarch TREK Trunnion 184x51, A1
7	11.4115.106.330	Air Can Black 2013 Monarch RT3 152x31
7	11.4115.106.340	Air Can Black 2013 Monarch RT3 165x38
7	11.4115.106.350	Air Can Black 2013 Monarch RT3 184x44
7	11.4115.106.360	Air Can Black 2013 Monarch RT3 190x51 / 200x51
7	11.4115.106.370	Air Can Black 2013 Monarch RT3 200x57
7	11.4115.106.380	Air Can Black 2013 Monarch RT3 216x63
7	11.4115.106.390	Air Can Black 2013 Monarch RT3 222x66
7	11.4115.106.400	Air Can White 2013 Monarch RT3 152x31
7	11.4115.106.410	Air Can White 2013 Monarch RT3 165x38
7	11.4115.106.420	Air Can White 2013 Monarch RT3 184x44
7	11.4115.106.430	Air Can White 2013 Monarch RT3 190x51 / 200x51
7	11.4115.106.440	Air Can White 2013 Monarch RT3 200x57
7	11.4115.106.450	Air Can White 2013 Monarch RT3 216x63
7	11.4115.106.460	Air Can White 2013 Monarch RT3 222x66
8	11.4115.106.470	Air Can Black 2013 Monarch RT3 HIGH VOLUME 184x44
8	11.4115.106.480	Air Can Black 2013 Monarch RT3 HIGH VOLUME 190x51 / 200x51
8	11.4115.106.490	Air Can Black 2013 Monarch RT3 HIGH VOLUME 200x57
8	11.4115.106.500	Air Can Black 2013 Monarch RT3 HIGH VOLUME 216x63
8	11.4115.106.510	Air Can Black 2013 Monarch RT3 HIGH VOLUME 222x66
8	11.4115.106.520	Air Can White 2013 Monarch RT3 HIGH VOLUME 184x44
8	11.4115.106.530	Air Can White 2013 Monarch RT3 HIGH VOLUME 190x51 / 200x51
8	11.4115.106.540	Air Can White 2013 Monarch RT3 HIGH VOLUME 200x57
8	11.4115.106.550	Air Can White 2013 Monarch RT3 HIGH VOLUME 216x63
8	11.4115.106.560	Air Can White 2013 Monarch RT3 HIGH VOLUME 222x66
ns	11.4115.115.010	Decal, Rear Shock, Tune (ML) - 2011 Vivid/Monarch Qty 10
ns	11.4115.115.020	Decal, Rear Shock, Tune (MM) - 2011 Vivid/Monarch Qty 10
ns	11.4115.115.030	Decal, Rear Shock, Tune (MH) - 2011 Vivid/Monarch Qty 10
ns	11.4115.115.040	Decal, Rear Shock, Tune (ML3) - 2011 Vivid/Monarch Qty 10
ns	11.4115.115.050	Decal, Rear Shock, Tune (MH3) - 2011 Vivid/Monarch Qty 10
ns	11.4115.115.060	Decal, Rear Shock, Tune (LL3) - 2011 Vivid/Monarch Qty 10
ns	11.4115.115.070	Decal, Rear Shock, Tune (LL) - 2011 Vivid/Monarch Qty 10
ns	11.4115.115.080	Decal, Rear Shock, Tune (LM) - 2011 Vivid/Monarch Qty 10
ns	11.4115.115.090	Decal, Rear Shock, Tune (LH) - 2011 Vivid/Monarch Qty 10
ns	11.4115.115.100	Decal, Rear Shock, Tune (LH3) - 2011 Vivid/Monarch Qty 10
ns	11.4115.115.110	Decal, Rear Shock, Tune (HL) - 2011 Vivid/Monarch Qty 10
ns	11.4115.115.120	Decal, Rear Shock, Tune (HL3) - 2011 Vivid/Monarch Qty 10
ns	11.4115.115.130	Decal, Rear Shock, Tune (HM) - 2011 Vivid/Monarch Qty 10
ns	11.4115.115.140	Decal, Rear Shock, Tune (HH) - 2011 Vivid/Monarch Qty 10
ns	11.4115.115.150	Decal, Rear Shock, Tune (HH3) - 2011 Vivid/Monarch Qty 10
ns	11.4318.003.186	Decal Kit Monarch RT3 White
ns	11.4318.003.187	Decal Kit Monarch RT3 Black
ns	11.4318.003.188	Decal Kit Monarch RT3 High Volume White
ns	11.4318.003.189	Decal Kit Monarch RT3 High Volume Black
9	11.4308.327.002	Schrader Valve Core Qty 2
10	11.4115.013.000	Rear Shock Eyelet Bushing 1/2"x1/2" Qty 2
11	00.4315.027.010	Air Valve Adapter Tool - RockShox Monarch
12	00.4115.154.010	Rear Shock Vise blocks, RockShox Monarch/Vivid/Vivid Air
13	00.4118.013.000	Rear Shock Body Vise blocks, RockShox Monarch
14	00.4315.026.010	1/2"x1/2" Rear Shock Bushing Tool (Eyelet/SealHead) RockShox
15	00.4315.032.330	AM Rear Shock Air Can Service Kit, Basic - Monarch RT3 (2013)
16	00.4315.032.340	AM Rear Shock Air Can High Volume Service Kit, Basic - Monarch RT3 (2013)
17	11.4118.015.000	Service Kit Full - 2013 Monarch 3 RT3
ns	00.4315.022.010	Schrader Valve Removal Tool Rockshox
ns	00.4315.023.010	High-Pressure Fork/Shock Pump (300 psi Max) RockShox
ns	00.4315.023.030	High-Pressure Fork/Shock Pump (600 psi Max) RockShox
ns	11.4115.094.010	Lubricant, Rear Shock Air Can, Maxima 15W 50, 1 Liter Bottle
ns	11.4115.094.020	Lubricant, Rear Shock Seals, Parker 0-Lube, 2g tube
ns	11.4315.004.030	RockShox Rear Suspension Damping Fluid 7wt 16oz bottle
ns	11.4315.021.060	RockShox Rear Suspension Damping Fluid 7wt 120ml bottle



Note:

1. Monarch RT3 damper assembly is available completely assembled (1).
2. All 2014 Monarch damper assemblies are compatible with both standard and high-volume air can assemblies; air can includes all seals installed.
3. Monarch Service Kit (full) intended for air seal and oil change/service to damper. Monarch Service Kit (basic) intended for air seal service only.
4. Refer to RockShox technical manuals for service, oil and lubricant requirements.
5. Use '1/2"x1/2" Rear Shock Bushing/Mount Hardware Tool' to remove and install eyelet bushing and mounting hardware.
6. All 2014 Air can assemblies are compatible with Monarch R, RL, RT3, and XX.
7. All eyelet assemblies are fully assembled
8. Damper assemblies are fully assembled



MONARCH R / RT / RL / RT3 (2014)



No.	Part Number	Description
1	11.4118.034.000	Damper Assy - Monarch RT3 152X32 Mid Rebound/Mid Compression Black C1
1	11.4118.034.001	Damper Assy - Monarch RT3 165X38 Mid Rebound/Mid Compression Black C1
1	11.4118.034.002	Damper Assy - Monarch RT3 184X44 Mid Rebound/Mid Compression Black C1
1	11.4118.034.003	Damper Assy - Monarch RT3 190x51 Mid Rebound/Mid Compression Black C1
1	11.4118.034.004	Damper Assy - Monarch RT3 200X51 Mid Rebound/Mid Compression Black C1
1	11.4118.034.005	Damper Assy - Monarch RT3 200X57 Mid Rebound/Mid Compression Black C1
1	11.4118.034.006	Damper Assy - Monarch RT3 216X63 Mid Rebound/Mid Compression Black C1
1	11.4118.034.007	Damper Assy - Monarch RT3 165X38 Mid Rebound/Mid Compression Black High Volume Eyelet C1
1	11.4118.034.008	Damper Assy - Monarch RT3 184X44 Mid Rebound/Mid Compression Black High Volume Eyelet C1
1	11.4118.034.009	Damper Assy - Monarch RT3 190x51 Mid Rebound/Mid Compression Black High Volume Eyelet C1
1	11.4118.034.010	Damper Assy - Monarch RT3 200X51 Mid Rebound/Mid Compression Black High Volume Eyelet C1
1	11.4118.034.011	Damper Assy - Monarch RT3 200X57 Mid Rebound/Mid Compression Black High Volume Eyelet C1
1	11.4118.034.012	Damper Assy - Monarch RT3 216X63 Mid Rebound/Mid Compression Black High Volume Eyelet C1
2	11.4118.034.027	Damper Assy - Monarch RL TREK Trunnion 171X44 Mid Rebound/Mid Compression Black High Volume Eyelet A1
2	11.4118.034.028	Damper Assy - Monarch RL TREK Trunnion 184X51 Mid Rebound/Mid Compression Black High Volume Eyelet A1
2	11.4118.034.029	Damper Assy - Monarch RL TREK Trunnion 184X44 Mid Rebound/Mid Compression Black High Volume Eyelet B1
2	11.4118.034.030	Damper Assy - Monarch RL TREK Trunnion 184X51 Mid Rebound/Mid Compression Black High Volume Eyelet B1
ns	11.4118.034.031	Damper Assy - Monarch RL Specialized Mount 197x48 Low Rebound/3 Compression 219 Black B1
ns	11.4118.034.032	Damper Assy - Monarch RL Specialized Mount 197x51Low Rebound/Low3 Compression 219 Black B1
3	11.4118.033.008	Air Can Assembly Monarch Black 152x31, B1(Plus,RL,XX), C1(R,RT,RT3)
3	11.4118.033.009	Air Can Assembly Monarch Black 165x38, B1(Plus,RL,XX), C1(R,RT,RT3)
3	11.4118.033.010	Air Can Assembly Monarch Black 184x44, B1(Plus,RL,XX), C1(R,RT,RT3)
3	11.4118.033.011	Air Can Assembly Monarch Black 190x51/200x51, B1(Plus,RL,XX), C1(R,RT,RT3)
3	11.4118.033.012	Air Can Assembly Monarch Black 200x57, B1(Plus,RL,XX), C1(R,RT,RT3)
3	11.4118.033.013	Air Can Assembly Monarch Black 216x63, B1(Plus,RL,XX), C1(R,RT,RT3)
3	11.4118.033.018	Air Can Assembly Monarch White 152x31, B1(Plus,RL,XX), C1(R,RT,RT3)
3	11.4118.033.019	Air Can Assembly Monarch White 165x38, B1(Plus,RL,XX), C1(R,RT,RT3)
3	11.4118.033.020	Air Can Assembly Monarch White 184x44, B1(Plus,RL,XX), C1(R,RT,RT3)
3	11.4118.033.021	Air Can Assembly Monarch White 190x51/200x51, B1(Plus,RL,XX), C1(R,RT,RT3)
3	11.4118.033.022	Air Can Assembly Monarch White 200x57, B1(Plus,RL,XX), C1(R,RT,RT3)
3	11.4118.033.023	Air Can Assembly Monarch White 216x63, B1(Plus,RL,XX), C1(R,RT,RT3)
4	11.4118.033.014	Air Can Assembly Monarch Black High Volume 165x38, B1(Plus,RL,XX), C1(R,RT,RT3)
4	11.4118.033.015	Air Can Assembly Monarch Black High Volume 190x51/200x51, B1(Plus,RL,XX), C1(R,RT,RT3)
4	11.4118.033.016	Air Can Assembly Monarch Black High Volume 200x57, B1(Plus,RL,XX), C1(R,RT,RT3)
4	11.4118.033.017	Air Can Assembly Monarch Black High Volume 216x63, B1(Plus,RL,XX), C1(R,RT,RT3)
4	11.4118.033.024	Air Can Assembly Monarch White High Volume 165x38, B1(Plus,RL,XX), C1(R,RT,RT3)
4	11.4118.033.025	Air Can Assembly Monarch White High Volume 190x51/200x51, B1(Plus,RL,XX), C1(R,RT,RT3)
4	11.4118.033.026	Air Can Assembly Monarch White High Volume 200x57, B1(Plus,RL,XX), C1(R,RT,RT3)
4	11.4118.033.027	Air Can Assembly Monarch White High Volume 216x63, B1(Plus,RL,XX), C1(R,RT,RT3)
5	11.4118.035.000	Eyelet Assembly - Monarch R C1
5	11.4118.035.008	Eyelet Assembly - Monarch White R C1
6	11.4118.035.001	Eyelet Assembly - Monarch R HVI C1
6	11.4118.035.009	Eyelet Assembly - Monarch White R HVI C1
7	11.4118.035.002	Eyelet Assembly - Monarch RL/RT, B1(RL),C1(RT)
7	11.4118.035.010	Eyelet Assembly - Monarch White RL/RT, B1(RL),C1(RT)
8	11.4118.035.003	Eyelet Assembly - Monarch RL/RT HVI, B1(RL),C1(RT)
8	11.4118.035.011	Eyelet Assembly - Monarch White RL/RT HVI, B1(RL),C1(RT)
9	11.4118.035.004	Eyelet Assembly - Monarch RT3 C1
9	11.4118.035.012	Eyelet Assembly - Monarch White RT3 C1
10	11.4118.035.005	Eyelet Assembly - Monarch RT3 HVI C1
10	11.4118.035.013	Eyelet Assembly - Monarch White RT3 HVI C1
11	11.4118.035.016	Eyelet Assembly - Monarch RL TREK Trunnion A1
12	11.4118.036.000	Shaft & Adjuster Rod Kit - Monarch R 152x31 C1
12	11.4118.036.001	Shaft & Adjuster Rod Kit - Monarch R 165x38 C1
12	11.4118.036.002	Shaft & Adjuster Rod Kit - Monarch R 184x44 C1
12	11.4118.036.003	Shaft & Adjuster Rod Kit - Monarch R 190x51 / 200x51 C1
12	11.4118.036.004	Shaft & Adjuster Rod Kit - Monarch R 200x57/203x57 C1
12	11.4118.036.005	Shaft & Adjuster Rod Kit - Monarch R 216x63 C1
12	11.4118.036.006	Shaft & Adjuster Rod Kit - Monarch R 222x66 C1
13	11.4118.036.014	Shaft & Adjuster Rod Kit - Monarch RL/RT 152x31, B1(RL),C1(RT)
13	11.4118.036.015	Shaft & Adjuster Rod Kit - Monarch RL/RT 165x38, B1(RL),C1(RT)
13	11.4118.036.016	Shaft & Adjuster Rod Kit - Monarch RL/RT 184x44, B1(RL),C1(RT)
13	11.4118.036.017	Shaft & Adjuster Rod Kit - Monarch RL/RT 190x51 / 200x51, B1(RL),C1(RT)
13	11.4118.036.018	Shaft & Adjuster Rod Kit - Monarch RL/RT 200x57/203x57, B1(RL),C1(RT)
13	11.4118.036.019	Shaft & Adjuster Rod Kit - Monarch RL/RT 216x63, B1(RL),C1(RT)
13	11.4118.036.020	Shaft & Adjuster Rod Kit - Monarch RL/RT 222x66, B1(RL),C1(RT)
14	11.4118.036.021	Shaft & Adjuster Rod Kit - Monarch RT3 152x31 C1
14	11.4118.036.022	Shaft & Adjuster Rod Kit - Monarch RT3 165x38 C1
14	11.4118.036.023	Shaft & Adjuster Rod Kit - Monarch RT3 184x44 C1
14	11.4118.036.024	Shaft & Adjuster Rod Kit - Monarch RT3 190x51 / 200x51 C1
14	11.4118.036.025	Shaft & Adjuster Rod Kit - Monarch RT3 200x57/203x57 C1
14	11.4118.036.026	Shaft & Adjuster Rod Kit - Monarch RT3 216x63 C1
14	11.4118.036.027	Shaft & Adjuster Rod Kit - Monarch RT3 222x66 C1
15	11.4115.107.040	Rebound Knob/Compression Lever Kit - Monarch RT3 C1
16	11.4115.107.050	Rebound Knob/Compression Lever Kit - Monarch RL/RT, B1(RL),C1(RT)
17	11.4115.107.060	Rebound Knob Kit - Monarch R C1 2011-2014(C1)
18	11.4118.013.000	Fixed Piston Assembly - Monarch 2014, B1(Plus,RL,XX), C1(R,RT,RT3)

MONARCH R / RT / RL / RT3 (2014)

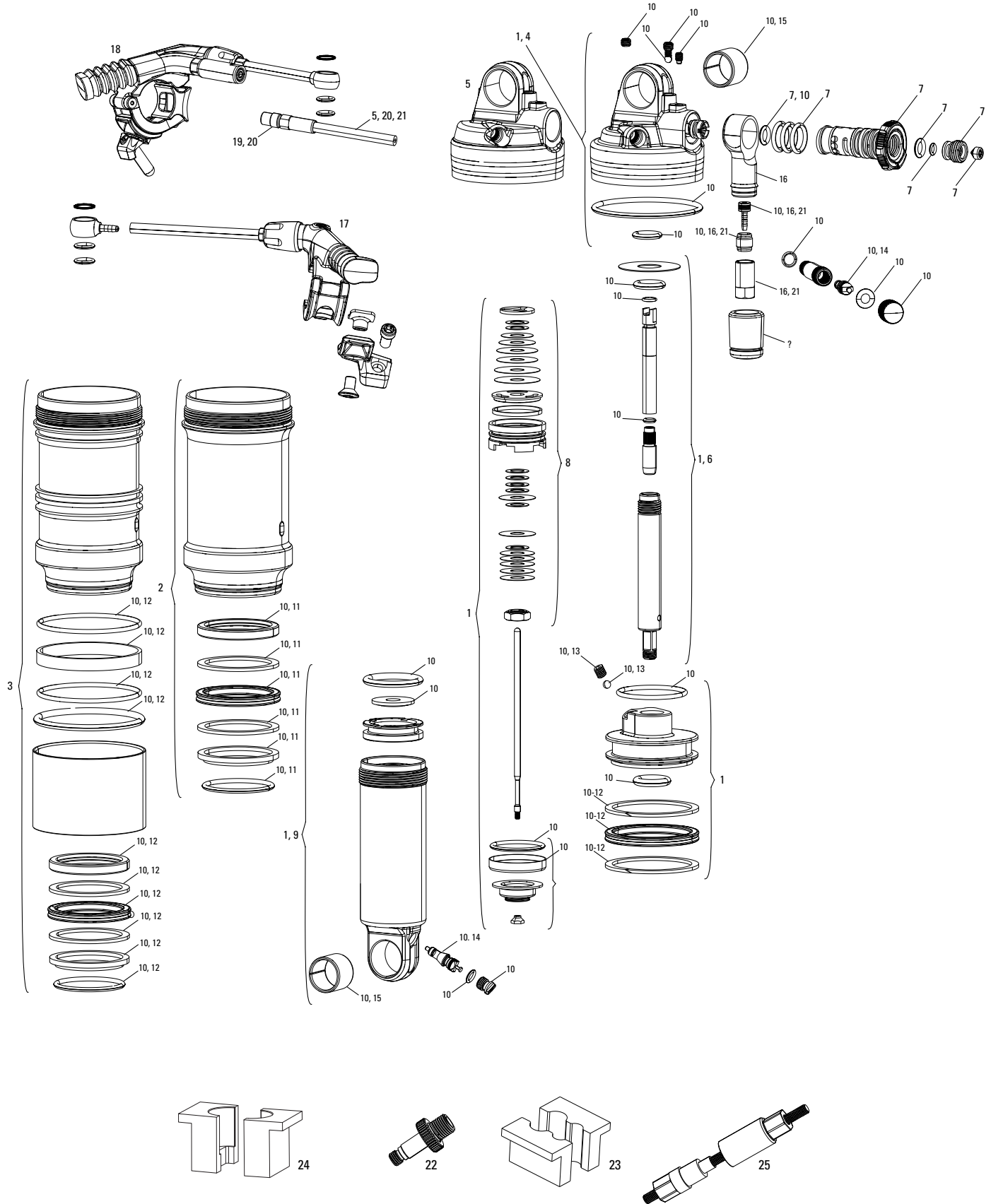


No.	Part Number	Description
19	11.4118.023.003	Tune Assy, Monarch R Reb-Low/Comp-Low 3 (CF-60lbs), C1
19	11.4118.023.004	Tune Assy, Monarch R Reb-Low/Comp-Low (CF-80lbs), C1
19	11.4118.023.005	Tune Assy, Monarch R Reb-Low/Comp-Mid (CF-97lbs), C1
19	11.4118.023.006	Tune Assy, Monarch R Reb-Mid/Comp-Low 3 (CF-60 lbs), C1
19	11.4118.023.007	Tune Assy, Monarch R Reb-Mid/Comp-Low (CF-80lbs), C1
19	11.4118.023.008	Tune Assy, Monarch R Reb-Mid/Comp-Mid (CF-97lbs), C1
19	11.4118.023.009	Tune Assy, Monarch R Reb-Mid/Comp-High (CF-110lbs), C1
19	11.4118.023.010	Tune Assy, Monarch R Reb-High/Comp-High (CF-110lbs), C1
19	11.4118.023.011	Tune Assy, Monarch RT Reb-Low/Comp-Low 3 (CF-60lbs), LF-219, B1
19	11.4118.023.012	Tune Assy, Monarch RT Reb-Low/Comp-Low (CF-80lbs), LF-219, B1
19	11.4118.023.013	Tune Assy, Monarch RT Reb-Low/Comp-Mid (CF-97lbs), LF-219, B1
19	11.4118.023.014	Tune Assy, Monarch RT Reb-Mid/Comp-Low 3 (CF-60 lbs), LF-219, B1
19	11.4118.023.015	Tune Assy, Monarch RT Reb-Mid/Comp-Low (CF-80lbs), LF-219, B1
19	11.4118.023.016	Tune Assy, Monarch RT Reb-Mid/Comp-Mid (CF-97lbs), LF-219, B1
19	11.4118.023.017	Tune Assy, Monarch RT Reb-Mid/Comp-High (CF-110lbs), LF-219, B1
19	11.4118.023.018	Tune Assy, Monarch RT Reb-High/Comp-High (CF-110lbs), LF-219, B1
19	11.4118.023.019	Tune Assy, Monarch XX/RT Reb-Low/Comp-Low 3 (CF-60lbs), LF-320, B1(XX), C1(RT)
19	11.4118.023.020	Tune Assy, Monarch XX/RT Reb-Low/Comp-Low (CF-80lbs), LF-320, B1(XX), C1(RT)
19	11.4118.023.021	Tune Assy, Monarch XX/RT Reb-Low/Comp-Mid (CF-97lbs), LF-320, B1(XX), C1(RT)
19	11.4118.023.022	Tune Assy, Monarch XX/RT Reb-Mid/Comp-Low 3 (CF-60 lbs), LF-320, B1(XX), C1(RT)
19	11.4118.023.023	Tune Assy, Monarch XX/RT Reb-Mid/Comp-Low (CF-80lbs), LF-320, B1(XX), C1(RT)
19	11.4118.023.024	Tune Assy, Monarch XX/RT Reb-Mid/Comp-Mid (CF-97lbs), LF-320, B1(XX), C1(RT)
19	11.4118.023.025	Tune Assy, Monarch XX/RT Reb-Mid/Comp-High (CF-110lbs), LF-320, B1(XX), C1(RT)
19	11.4118.023.026	Tune Assy, Monarch XX/RT Reb-High/Comp-High (CF-110lbs), LF-320, B1(XX), C1(RT)
19	11.4118.023.027	Tune Assy, Monarch XX/RL Reb-Low/Comp-Low 3 (CF-60lbs), LF-430, B1
19	11.4118.023.028	Tune Assy, Monarch XX/RL Reb-Low/Comp-Low (CF-80lbs), LF-430, B1
19	11.4118.023.029	Tune Assy, Monarch XX/RL Reb-Low/Comp-Mid (CF-97lbs), LF-430, B1
19	11.4118.023.030	Tune Assy, Monarch XX/RL Reb-Mid/Comp-Low 3 (CF-60 lbs), LF-430, B1
19	11.4118.023.031	Tune Assy, Monarch XX/RL Reb-Mid/Comp-Low (CF-80lbs), LF-430, B1
19	11.4118.023.032	Tune Assy, Monarch XX/RL Reb-Mid/Comp-Mid (CF-97lbs), LF-430, B1
19	11.4118.023.033	Tune Assy, Monarch XX/RL Reb-Mid/Comp-High (CF-110lbs), LF-430, B1
19	11.4118.023.034	Tune Assy, Monarch XX/RL Reb-High/Comp-High (CF-110lbs), LF-430, B1
19	11.4118.023.035	Tune Assy, Monarch RT3 Reb-Low/Comp-Low 3 (CF-60lbs) soft threshold, LF-320, C1
19	11.4118.023.036	Tune Assy, Monarch RT3 Reb-Low/Comp-Low (CF-80lbs) soft threshold, LF-320, C1
19	11.4118.023.037	Tune Assy, Monarch RT3 Reb-Low/Comp-Mid (CF-97lbs) soft threshold, LF-320, C1
19	11.4118.023.038	Tune Assy, Monarch RT3 Reb-Mid/Comp-Low 3 (CF-60 lbs) soft threshold, LF-320, C1
19	11.4118.023.039	Tune Assy, Monarch RT3 Reb-Mid/Comp-Low (CF-80lbs) soft threshold, LF-320, C1
19	11.4118.023.040	Tune Assy, Monarch RT3 Reb-Mid/Comp-Mid (CF-97lbs) soft threshold, LF-320, C1
19	11.4118.023.041	Tune Assy, Monarch RT3 Reb-Mid/Comp-High (CF-110lbs) soft threshold, LF-320, C1
19	11.4118.023.042	Tune Assy, Monarch RT3 Reb-High/Comp-High (CF-110lbs) soft threshold, LF-320, C1
19	11.4118.023.043	Tune Assy, Monarch RT3 Reb-Low/Comp-Low 3 (CF-60lbs) firm threshold, LF-320, C1
19	11.4118.023.044	Tune Assy, Monarch RT3 Reb-Low/Comp-Low (CF-80lbs) firm threshold, LF-320, C1
19	11.4118.023.045	Tune Assy, Monarch RT3 Reb-Low/Comp-Mid (CF-97lbs) firm threshold, LF-320, C1
19	11.4118.023.046	Tune Assy, Monarch RT3 Reb-Mid/Comp-Low 3 (CF-60 lbs) firm threshold, LF-320, C1
19	11.4118.023.047	Tune Assy, Monarch RT3 Reb-Mid/Comp-Low (CF-80lbs) firm threshold, LF-320, C1
19	11.4118.023.048	Tune Assy, Monarch RT3 Reb-Mid/Comp-Mid (CF-97lbs) firm threshold, LF-320, C1
19	11.4118.023.049	Tune Assy, Monarch RT3 Reb-Mid/Comp-High (CF-110lbs) firm threshold, LF-320, C1
19	11.4118.023.050	Tune Assy, Monarch RT3 Reb-High/Comp-High (CF-110lbs) firm threshold, LF-320, C1
19	11.4118.023.062	Tune Assy, Monarch RT3 Reb-High/Comp-High (CF-110lbs) soft threshold, LF-430, C1
20	11.4118.037.000	Damper Body/IFP - Monarch RT3/RL/RT/R 152x31, B1(RL,XX), C1(R,RT,RT3)
20	11.4118.037.001	Damper Body/IFP - Monarch RT3/RL/RT/R 165x38, B1(RL,XX), C1(R,RT,RT3)
20	11.4118.037.002	Damper Body/IFP - Monarch RT3/RL/RT/R 184x44, B1(RL,XX), C1(R,RT,RT3)
20	11.4118.037.003	Damper Body/IFP - Monarch Plus/RT3/RL/RT/R 190x51, B1(Plus,RL,XX), C1(R,RT,Plus/RT3)
20	11.4118.037.004	Damper Body/IFP - Monarch Plus/RT3/RL/RT/R 200x51, B1(Plus,RL,XX), C1(R,RT,Plus/RT3)
20	11.4118.037.005	Damper Body/IFP - Monarch Plus/RT3/RL/RT/R 200x57, B1(Plus,RL,XX), C1(R,RT,Plus/RT3)
20	11.4118.037.006	Damper Body/IFP - Monarch Plus/RT3/RL/RT/R 203x57, B1(Plus,RL,XX), C1(R,RT,Plus/RT3)
20	11.4118.037.007	Damper Body/IFP - Monarch Plus/RT3/RL/RT/R 216x63, B1(Plus,RL,XX), C1(R,RT,Plus/RT3)
20	11.4118.037.008	Damper Body/IFP - Monarch Plus/RT3/RL/RT/R 222x66, B1(Plus,RL,XX), C1(R,RT,Plus/RT3)
20	11.4118.037.011	Damper Body/IFP - Monarch TREK Trunnion 184x48, B1
20	11.4118.037.012	Damper Body/IFP - Monarch TREK Trunnion 184x51, B1
ns	11.4418.004.000	Damper Body - Monarch Specialized 194x48/51 - 2013
ns	11.4418.004.001	Damper Body - Monarch Specialized 197x48 - 2013
ns	11.4418.004.002	Damper Body - Monarch Specialized 216x63 - 2013
ns	11.4418.004.003	Damper Body - Monarch Specialized 194x48/51 - 2014
ns	11.4418.004.004	Damper Body - Monarch Specialized 197x48 - 2014
ns	11.4418.004.005	Damper Body - Monarch Specialized 216x63 - 2014
21	11.4118.038.000	Service Kit Full - Monarch B1(RL) C1 (R,RT,RT3)
22	00.4315.032.380	AM Rear Shock Air Can Service Kit, Basic - Monarch B1(Plus,XX,RL) C1 (R,RT3)
23	00.4315.032.390	AM Rear Shock Air Can Service Kit, Basic - Monarch High Volume B1(Plus,XX,RL) C1 (R,RT3)

MONARCH R / RT / RL / RT3 (2014)



No.	Part Number	Description
24	11.4115.132.010	Ball Nylon, Bleed, Fixed Piston - Monarch/Monarch Plus, Qty 20
25	11.4308.327.002	Schrader Valve Core Qty 2
26	11.4115.013.000	Rear Shock Eyelet Bushing 1/2"x1/2" Qty 2
ns	11.4318.003.237	Decal Kit Monarch R/RL/RT3/XX White Can 152/165/184 B1(RL,XX), C1(R,RT3)
ns	11.4318.003.238	Decal Kit Monarch R/RL/RT3/XX Black Can 152/165/184 B1(RL,XX), C1(R,RT3)
ns	11.4318.003.239	Decal Kit Monarch R/RL/RT3/XX White Can 190/200 B1(RL,XX), C1(R,RT3)
ns	11.4318.003.240	Decal Kit Monarch R/RL/RT3/XX Black Can 190/200 B1(RL,XX), C1(R,RT3)
ns	11.4318.003.241	Decal Kit Monarch R/RL/RT3/XX White Can 216 B1(RL,XX), C1(R,RT3)
ns	11.4318.003.242	Decal Kit Monarch R/RL/RT3/XX Black Can 216 B1(RL,XX), C1(R,RT3)
ns	11.4318.003.243	Decal Kit Monarch R/RL/RT3/XX High Volume White Can 165 B1(RL,XX), C1(R,RT3)
ns	11.4318.003.244	Decal Kit Monarch R/RL/RT3/XX High Volume Black Can 165 B1(RL,XX), C1(R,RT3)
ns	11.4318.003.245	Decal Kit Monarch R/RL/RT3/XX High Volume White Can 190/200 B1(RL,XX), C1(R,RT3)
ns	11.4318.003.246	Decal Kit Monarch R/RL/RT3/XX High Volume Black Can 190/200 B1(RL,XX), C1(R,RT3)
ns	11.4318.003.247	Decal Kit Monarch R/RL/RT3/XX High Volume White Can 216 B1(RL,XX), C1(R,RT3)
ns	11.4318.003.248	Decal Kit Monarch R/RL/RT3/XX High Volume Black Can 216 B1(RL,XX), C1(R,RT3)
ns	11.4115.115.010	Decal, Rear Shock, Tune (ML) - 2011 Vivid/Monarch Qty 10
ns	11.4115.115.020	Decal, Rear Shock, Tune (MM) - 2011 Vivid/Monarch Qty 10
ns	11.4115.115.030	Decal, Rear Shock, Tune (MH) - 2011 Vivid/Monarch Qty 10
ns	11.4115.115.040	Decal, Rear Shock, Tune (ML3) - 2011 Vivid/Monarch Qty 10
ns	11.4115.115.050	Decal, Rear Shock, Tune (MH3) - 2011 Vivid/Monarch Qty 10
ns	11.4115.115.060	Decal, Rear Shock, Tune (LL3) - 2011 Vivid/Monarch Qty 10
ns	11.4115.115.070	Decal, Rear Shock, Tune (LL) - 2011 Vivid/Monarch Qty 10
ns	11.4115.115.080	Decal, Rear Shock, Tune (LM) - 2011 Vivid/Monarch Qty 10
ns	11.4115.115.090	Decal, Rear Shock, Tune (LH) - 2011 Vivid/Monarch Qty 10
ns	11.4115.115.100	Decal, Rear Shock, Tune (LH3) - 2011 Vivid/Monarch Qty 10
ns	11.4115.115.110	Decal, Rear Shock, Tune (HL) - 2011 Vivid/Monarch Qty 10
ns	11.4115.115.120	Decal, Rear Shock, Tune (HL3) - 2011 Vivid/Monarch Qty 10
ns	11.4115.115.130	Decal, Rear Shock, Tune (HM) - 2011 Vivid/Monarch Qty 10
ns	11.4115.115.140	Decal, Rear Shock, Tune (HH) - 2011 Vivid/Monarch Qty 10
ns	11.4115.115.150	Decal, Rear Shock, Tune (HH3) - 2011 Vivid/Monarch Qty 10
27	00.4315.027.010	Air Valve Adapter Tool - RockShox Monarch
28	00.4115.154.010	Rear Shock Vise blocks, RockShox Monarch/Vivid/Vivid Air
29	00.4118.013.000	Rear Shock Body Vise blocks, RockShox Monarch
30	00.4315.026.010	1/2"x1/2" Rear Shock Bushing Tool (Eyelet/SealHead) RockShox
ns	00.4315.022.010	Schrader Valve Removal Tool Rockshox
ns	00.4315.023.010	High-Pressure Fork/Shock Pump (300 psi Max) RockShox
ns	00.4315.023.030	High-Pressure Fork/Shock Pump (600 psi Max) RockShox
ns	11.4115.094.010	Lubricant, Rear Shock Air Can, Maxima 15W 50, 1 Liter Bottle
ns	11.4115.094.020	Lubricant, Rear Shock Seals, Parker O-Lube, 2g tube
ns	11.4315.004.030	RockShox Rear Suspension Damping Fluid 7wt 16oz bottle
ns	11.4315.021.060	RockShox Rear Suspension Damping Fluid 7wt 120ml bottle



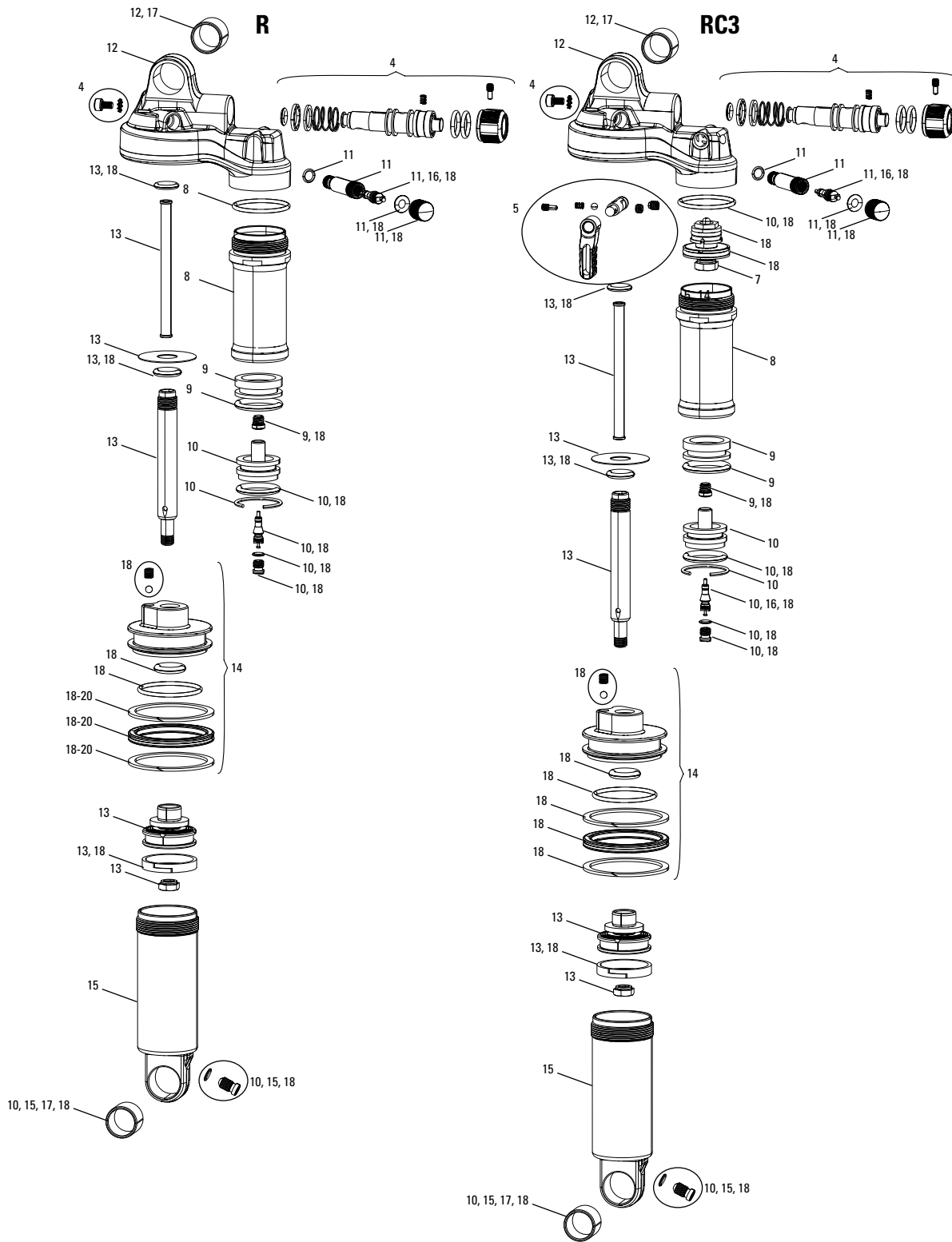
MONARCH XX B1 (2014)



No.	Part Number	Description
1	11.4118.034.013	Damper Assy - Monarch XX 152X32 Mid Rebound/Mid Compression Black B1
1	11.4118.034.014	Damper Assy - Monarch XX 165X38 Mid Rebound/Mid Compression Black B1
1	11.4118.034.015	Damper Assy - Monarch XX 184X44 Mid Rebound/Mid Compression Black B1
1	11.4118.034.016	Damper Assy - Monarch XX 190x51 Mid Rebound/Mid Compression Black B1
1	11.4118.034.017	Damper Assy - Monarch XX 200X51 Mid Rebound/Mid Compression Black B1
1	11.4118.034.018	Damper Assy - Monarch XX 165X38 Mid Rebound/Mid Compression Black High Volume Eyelet B1
1	11.4118.034.019	Damper Assy - Monarch XX 184X44 Mid Rebound/Mid Compression Black High Volume Eyelet B1
1	11.4118.034.020	Damper Assy - Monarch XX 190x51 Mid Rebound/Mid Compression Black High Volume Eyelet B1
1	11.4118.034.021	Damper Assy - Monarch XX 200X51 Mid Rebound/Mid Compression Black High Volume Eyelet B1
2	11.4118.033.008	Air Can Assembly Monarch Black 152x31, B1(Plus,RL,XX), C1(R,RT,RT3)
2	11.4118.033.009	Air Can Assembly Monarch Black 165x38, B1(Plus,RL,XX), C1(R,RT,RT3)
2	11.4118.033.010	Air Can Assembly Monarch Black 184x44, B1(Plus,RL,XX), C1(R,RT,RT3)
2	11.4118.033.011	Air Can Assembly Monarch Black 190x51/200x51, B1(Plus,RL,XX), C1(R,RT,RT3)
2	11.4118.033.012	Air Can Assembly Monarch Black 200x57, B1(Plus,RL,XX), C1(R,RT,RT3)
2	11.4118.033.013	Air Can Assembly Monarch Black 216x63, B1(Plus,RL,XX), C1(R,RT,RT3)
2	11.4118.033.018	Air Can Assembly Monarch White 152x31, B1(Plus,RL,XX), C1(R,RT,RT3)
2	11.4118.033.019	Air Can Assembly Monarch White 165x38, B1(Plus,RL,XX), C1(R,RT,RT3)
2	11.4118.033.020	Air Can Assembly Monarch White 184x44, B1(Plus,RL,XX), C1(R,RT,RT3)
2	11.4118.033.021	Air Can Assembly Monarch White 190x51/200x51, B1(Plus,RL,XX), C1(R,RT,RT3)
2	11.4118.033.022	Air Can Assembly Monarch White 200x57, B1(Plus,RL,XX), C1(R,RT,RT3)
2	11.4118.033.023	Air Can Assembly Monarch White 216x63, B1(Plus,RL,XX), C1(R,RT,RT3)
3	11.4118.033.014	Air Can Assembly Monarch Black High Volume 165x38, B1(Plus,RL,XX), C1(R,RT,RT3)
3	11.4118.033.015	Air Can Assembly Monarch Black High Volume 190x51/200x51, B1(Plus,RL,XX), C1(R,RT,RT3)
3	11.4118.033.016	Air Can Assembly Monarch Black High Volume 200x57, B1(Plus,RL,XX), C1(R,RT,RT3)
3	11.4118.033.017	Air Can Assembly Monarch Black High Volume 216x63, B1(Plus,RL,XX), C1(R,RT,RT3)
3	11.4118.033.024	Air Can Assembly Monarch White High Volume 165x38, B1(Plus,RL,XX), C1(R,RT,RT3)
3	11.4118.033.025	Air Can Assembly Monarch White High Volume 190x51/200x51, B1(Plus,RL,XX), C1(R,RT,RT3)
3	11.4118.033.026	Air Can Assembly Monarch White High Volume 200x57, B1(Plus,RL,XX), C1(R,RT,RT3)
3	11.4118.033.027	Air Can Assembly Monarch White High Volume 216x63, B1(Plus,RL,XX), C1(R,RT,RT3)
4	11.4118.035.006	Eyelet Assembly - Monarch XX B1
4	11.4118.035.014	Eyelet Assembly - Monarch White XX B1
5	11.4118.035.007	Eyelet Assembly - Monarch XX HVI B1
5	11.4118.035.015	Eyelet Assembly - Monarch White XX HVI B1
6	11.4118.036.007	Shaft & Adjuster Rod Kit - Monarch XX 152x31 B1
6	11.4118.036.008	Shaft & Adjuster Rod Kit - Monarch XX 165x38 B1
6	11.4118.036.009	Shaft & Adjuster Rod Kit - Monarch XX 184x44 B1
6	11.4118.036.010	Shaft & Adjuster Rod Kit - Monarch XX 190x51 / 200x51 B1
6	11.4118.036.011	Shaft & Adjuster Rod Kit - Monarch XX 200x57/203x57 B1
6	11.4118.036.012	Shaft & Adjuster Rod Kit - Monarch XX 216x63 B1
6	11.4118.036.013	Shaft & Adjuster Rod Kit - Monarch XX 222x66 B1
7	11.4118.001.001	Rebound Knob Assy Monarch XX A1-B1
8	11.4118.023.019	Tune Assy, Monarch XX/RT Reb-Low/Comp-Low 3 (CF-60lbs), LF-320, B1(XX), C1(RT)
8	11.4118.023.020	Tune Assy, Monarch XX/RT Reb-Low/Comp-Low (CF-80lbs), LF-320, B1(XX), C1(RT)
8	11.4118.023.021	Tune Assy, Monarch XX/RT Reb-Low/Comp-Mid (CF-97lbs), LF-320, B1(XX), C1(RT)
8	11.4118.023.022	Tune Assy, Monarch XX/RT Reb-Mid/Comp-Low 3 (CF-60 lbs), LF-320, B1(XX), C1(RT)
8	11.4118.023.023	Tune Assy, Monarch XX/RT Reb-Mid/Comp-Low (CF-80lbs), LF-320, B1(XX), C1(RT)
8	11.4118.023.024	Tune Assy, Monarch XX/RT Reb-Mid/Comp-Mid (CF-97lbs), LF-320, B1(XX), C1(RT)
8	11.4118.023.025	Tune Assy, Monarch XX/RT Reb-Mid/Comp-High (CF-110lbs), LF-320, B1(XX), C1(RT)
8	11.4118.023.026	Tune Assy, Monarch XX/RT Reb-High/Comp-High (CF-110lbs), LF-320, B1(XX), C1(RT)
8	11.4118.023.027	Tune Assy, Monarch XX/RL Reb-Low/Comp-Low 3 (CF-60lbs), LF-430, B1
8	11.4118.023.028	Tune Assy, Monarch XX/RL Reb-Low/Comp-Low (CF-80lbs), LF-430, B1
8	11.4118.023.029	Tune Assy, Monarch XX/RL Reb-Low/Comp-Mid (CF-97lbs), LF-430, B1
8	11.4118.023.030	Tune Assy, Monarch XX/RL Reb-Mid/Comp-Low 3 (CF-60 lbs), LF-430, B1
8	11.4118.023.031	Tune Assy, Monarch XX/RL Reb-Mid/Comp-Low (CF-80lbs), LF-430, B1
8	11.4118.023.032	Tune Assy, Monarch XX/RL Reb-Mid/Comp-Mid (CF-97lbs), LF-430, B1
8	11.4118.023.033	Tune Assy, Monarch XX/RL Reb-Mid/Comp-High (CF-110lbs), LF-430, B1
8	11.4118.023.034	Tune Assy, Monarch XX/RL Reb-High/Comp-High (CF-110lbs), LF-430, B1
9	11.4118.037.000	Damper Body/IFP - Monarch RT3/RL/RT/R 152x31, B1(RL,XX), C1(R,RT,RT3)
9	11.4118.037.001	Damper Body/IFP - Monarch RT3/RL/RT/R 165x38, B1(RL,XX), C1(R,RT,RT3)
9	11.4118.037.002	Damper Body/IFP - Monarch RT3/RL/RT/R 184x44, B1(RL,XX), C1(R,RT,RT3)
9	11.4118.037.003	Damper Body/IFP - Monarch Plus/RT3/RL/RT/R 190x51, B1(Plus,RL,XX), C1(R,RT,Plus/RT3)
9	11.4118.037.004	Damper Body/IFP - Monarch Plus/RT3/RL/RT/R 200x51, B1(Plus,RL,XX), C1(R,RT,Plus/RT3)
9	11.4118.037.005	Damper Body/IFP - Monarch Plus/RT3/RL/RT/R 200x57, B1(Plus,RL,XX), C1(R,RT,Plus/RT3)
9	11.4118.037.006	Damper Body/IFP - Monarch Plus/RT3/RL/RT/R 203x57, B1(Plus,RL,XX), C1(R,RT,Plus/RT3)
9	11.4118.037.007	Damper Body/IFP - Monarch Plus/RT3/RL/RT/R 216x63, B1(Plus,RL,XX), C1(R,RT,Plus/RT3)
9	11.4118.037.008	Damper Body/IFP - Monarch Plus/RT3/RL/RT/R 222x66, B1(Plus,RL,XX), C1(R,RT,Plus/RT3)
10	11.4118.038.001	Service Kit Full - Monarch XX B1
11	00.4315.032.380	AM Rear Shock Air Can Service Kit, Basic - Monarch B1(Plus,XX,RL) C1 (R,RT3)
12	00.4315.032.390	AM Rear Shock Air Can Service Kit, Basic - Monarch High Volume B1(Plus,XX,RL) C1 (R,RT3)
13	11.4115.132.010	Ball Nylon, Bleed, Fixed Piston - Monarch/Monarch Plus, Qty 20
14	11.4308.327.002	Schrader Valve Core Qty 2
15	11.4115.013.000	Rear Shock Eyelet Bushing 1/2"X1/2" Qty 2
16	11.4118.002.000	Banjo/Compression Fitting/Threaded Barb Kit - Monarch XX
17	11.4318.000.000	Remote Xloc Monarch XX Left Black (hose/banjo)
17	11.4318.000.010	Remote Xloc Monarch XX Right Black (hose/banjo)
ns	11.4318.001.000	Xloc Remote Service Kit MN XX
18	11.4315.013.070	Remote XLoc Full Sprint Left Gold Adjuster (includes hose/banjo)
18	11.4315.013.080	Remote XLoc Full Sprint Right Gold Adjuster (includes hose/banjo)
ns	11.4318.006.000	XLoc Full Sprint Remote Service Kit
19	11.4318.005.000	Connectamajig Collar Suspension Black - Reverb/XLoc Full sprint
20	11.4318.002.040	Hydraulic Hoses/Barbs/Compression Fittings XLoc Monarch XX 1250mm Qty 2 (use with suspension fluid only) A2-B1 (2013-2014)
20	11.4318.002.050	Hydraulic Hoses/Barbs/Compression Fittings XLoc Monarch XX 1250mm Qty 10 (use with suspension fluid only) A2-B1 (2013-2014)
21	11.4318.002.020	Hydraulic Hose/Barb/Compression Fitting XLoc Monarch XX Full Sprint Connectamajig 2000mm Qty 1 (use with suspension fluid only) B1
21	11.4318.002.030	Hydraulic Hoses/Barbs/Compression Fittings XLoc Monarch XX Full Sprint Connectamajig 2000mm Qty 10 (use with suspension fluid only) B1

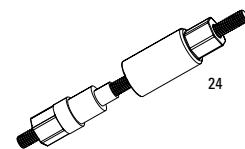
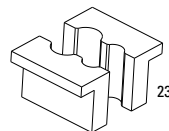
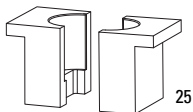
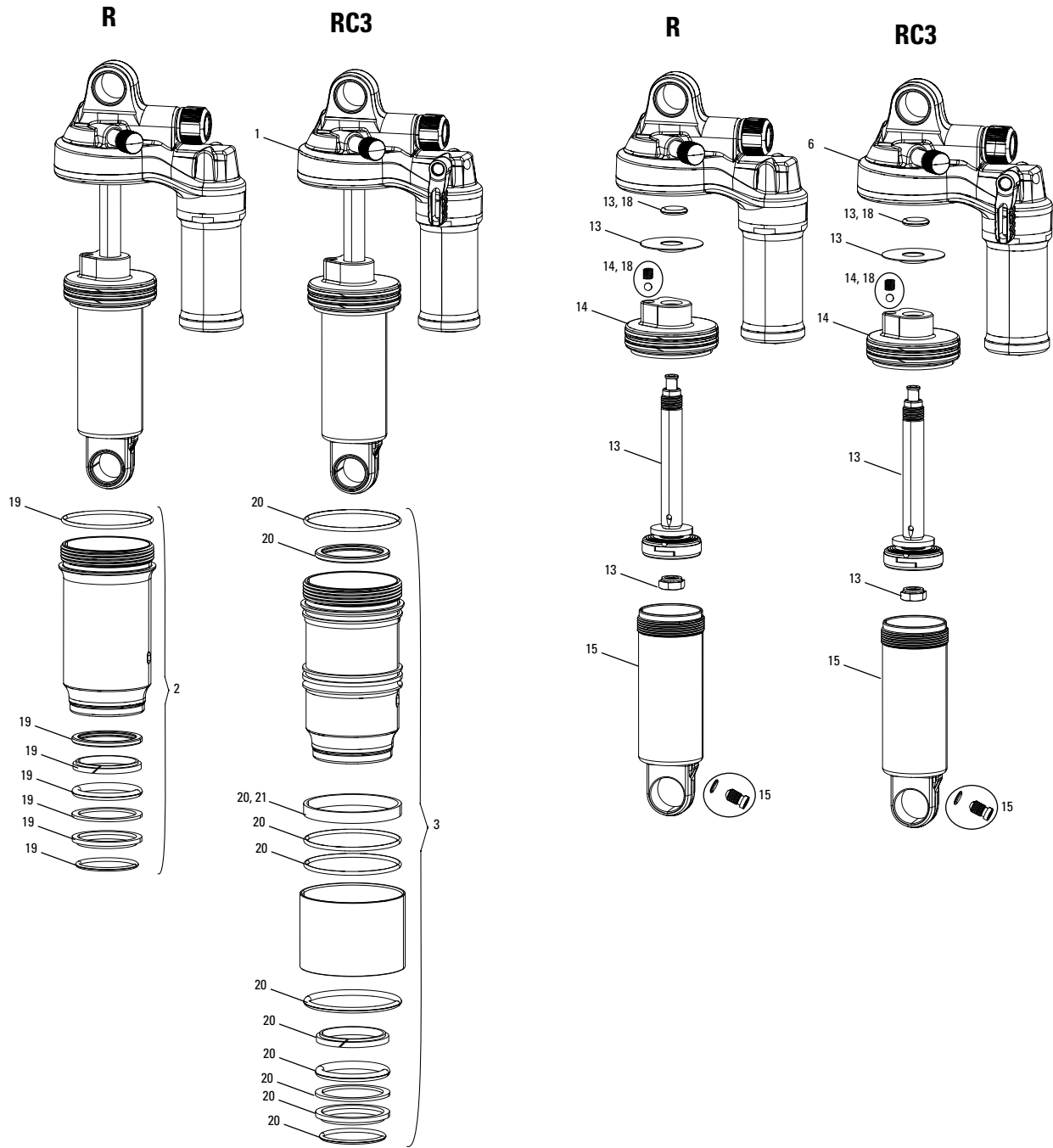


No.	Part Number	Description
ns	11.4318.003.239	Decal Kit Monarch R/RL/RT3/XX White Can 190/200 B1(RL,XX), C1(R,RT3)
ns	11.4318.003.240	Decal Kit Monarch R/RL/RT3/XX Black Can 190/200 B1(RL,XX), C1(R,RT3)
ns	11.4318.003.241	Decal Kit Monarch R/RL/RT3/XX White Can 216 B1(RL,XX), C1(R,RT3)
ns	11.4318.003.242	Decal Kit Monarch R/RL/RT3/XX Black Can 216 B1(RL,XX), C1(R,RT3)
ns	11.4318.003.243	Decal Kit Monarch R/RL/RT3/XX High Volume White Can 165 B1(RL,XX), C1(R,RT3)
ns	11.4318.003.244	Decal Kit Monarch R/RL/RT3/XX High Volume Black Can 165 B1(RL,XX), C1(R,RT3)
ns	11.4318.003.245	Decal Kit Monarch R/RL/RT3/XX High Volume White Can 190/200 B1(RL,XX), C1(R,RT3)
ns	11.4318.003.246	Decal Kit Monarch R/RL/RT3/XX High Volume Black Can 190/200 B1(RL,XX), C1(R,RT3)
ns	11.4318.003.247	Decal Kit Monarch R/RL/RT3/XX High Volume White Can 216 B1(RL,XX), C1(R,RT3)
ns	11.4318.003.248	Decal Kit Monarch R/RL/RT3/XX High Volume Black Can 216 B1(RL,XX), C1(R,RT3)
ns	11.4115.115.010	Decal, Rear Shock, Tune (ML) - 2011 Vivid/Monarch Qty 10
ns	11.4115.115.020	Decal, Rear Shock, Tune (MM) - 2011 Vivid/Monarch Qty 10
ns	11.4115.115.030	Decal, Rear Shock, Tune (MH) - 2011 Vivid/Monarch Qty 10
ns	11.4115.115.040	Decal, Rear Shock, Tune (ML3) - 2011 Vivid/Monarch Qty 10
ns	11.4115.115.050	Decal, Rear Shock, Tune (MH3) - 2011 Vivid/Monarch Qty 10
ns	11.4115.115.060	Decal, Rear Shock, Tune (LL3) - 2011 Vivid/Monarch Qty 10
ns	11.4115.115.070	Decal, Rear Shock, Tune (LL) - 2011 Vivid/Monarch Qty 10
ns	11.4115.115.080	Decal, Rear Shock, Tune (LM) - 2011 Vivid/Monarch Qty 10
ns	11.4115.115.090	Decal, Rear Shock, Tune (LH) - 2011 Vivid/Monarch Qty 10
ns	11.4115.115.100	Decal, Rear Shock, Tune (LH3) - 2011 Vivid/Monarch Qty 10
ns	11.4115.115.110	Decal, Rear Shock, Tune (HL) - 2011 Vivid/Monarch Qty 10
ns	11.4115.115.120	Decal, Rear Shock, Tune (HL3) - 2011 Vivid/Monarch Qty 10
ns	11.4115.115.130	Decal, Rear Shock, Tune (HM) - 2011 Vivid/Monarch Qty 10
ns	11.4115.115.140	Decal, Rear Shock, Tune (HH) - 2011 Vivid/Monarch Qty 10
ns	11.4115.115.150	Decal, Rear Shock, Tune (HH3) - 2011 Vivid/Monarch Qty 10
22	00.4315.027.010	Air Valve Adapter Tool - RockShox Monarch
23	00.4115.154.010	Rear Shock Vise blocks, RockShox Monarch/Vivid/Vivid Air
24	00.4118.013.000	Rear Shock Body Vise blocks, RockShox Monarch
25	00.4315.026.010	1/2"x1/2" Rear Shock Bushing Tool (Eyelet/SealHead) RockShox
ns	00.4315.022.010	Schrader Valve Removal Tool Rockshox
ns	00.4315.023.010	High-Pressure Fork/Shock Pump (300 psi Max) RockShox
ns	00.4315.023.030	High-Pressure Fork/Shock Pump (600 psi Max) RockShox
ns	11.4115.094.010	Lubricant, Rear Shock Air Can, Maxima 15W 50, 1 Liter Bottle
ns	11.4115.094.020	Lubricant, Rear Shock Seals, Parker O-Lube, 2g tube
ns	11.4315.004.030	RockShox Rear Suspension Damping Fluid 7wt 16oz bottle
ns	11.4315.021.060	RockShox Rear Suspension Damping Fluid 7wt 120ml bottle



Note:

1. Monarch Plus RC3 damper assembly is available completely assembled (1).
2. All Monarch Plus damper assemblies are compatible with both standard and high-volume air can assemblies; air can includes all seals installed.
3. Refer to RockShox technical manuals for service, oil and lubricant requirements.
4. Use "1/2"x1/2" Rear Shock Bushing/Mount Hardware Tool" to remove and install eyelet bushing and mounting hardware.
8. All eyelet assemblies are fully assembled
9. Damper assemblies are fully assembled



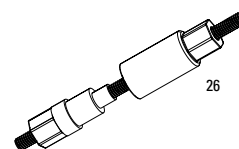
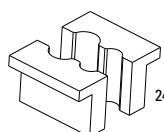
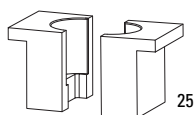
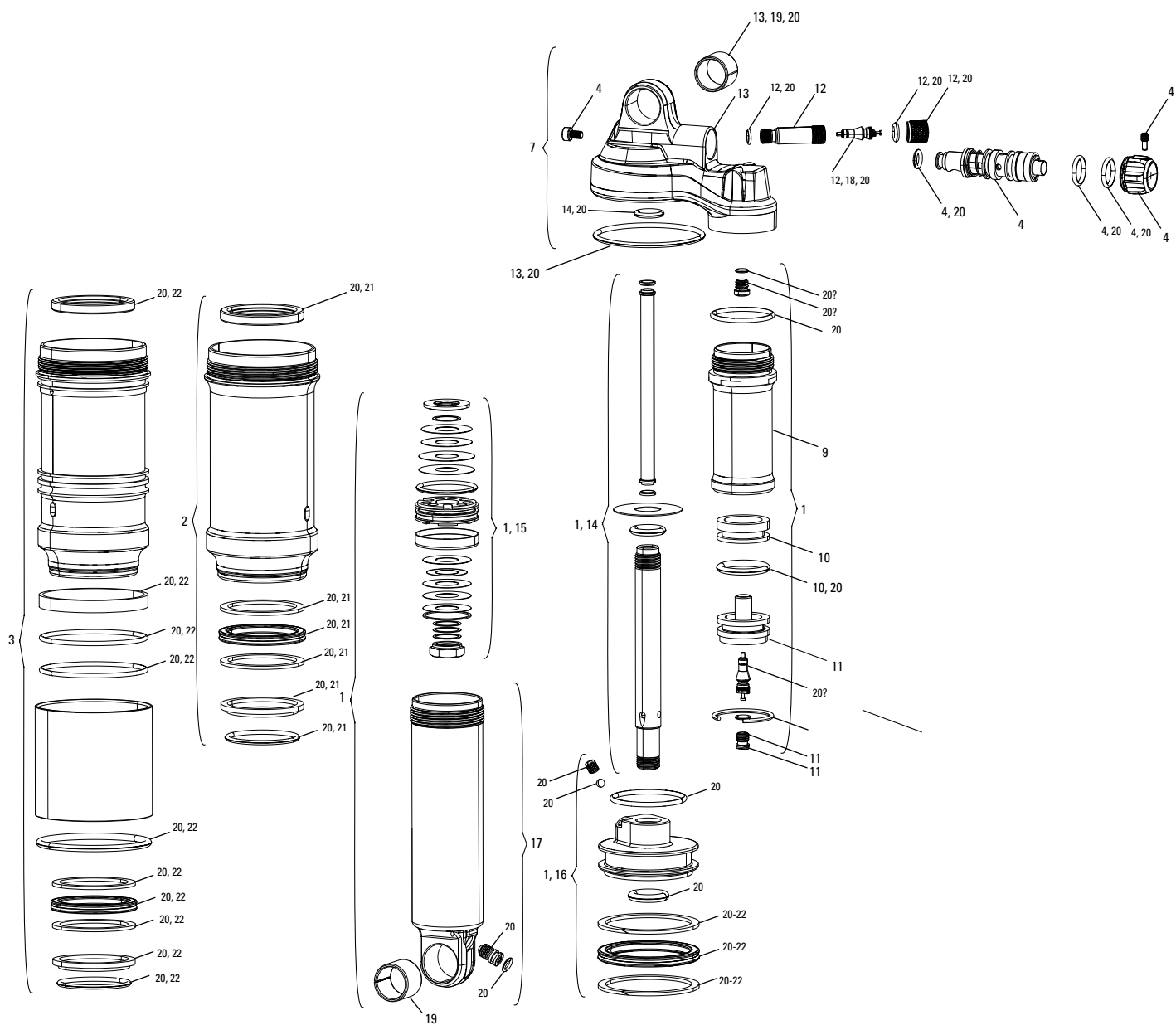


No.	Part Number	Description
1	11.4115.126.010	Damper Assy Black Monarch Plus RC3 190x51 Mid Rebound/Low Compression
1	11.4115.126.020	Damper Assy Black Monarch Plus RC3 190x51 Mid Rebound/Mid Compression
1	11.4115.126.030	Damper Assy Black Monarch Plus RC3 190x51 Mid Rebound/High Compression
1	11.4115.126.040	Damper Assy Black Monarch Plus RC3 200x51 Mid Rebound/Low Compression
1	11.4115.126.050	Damper Assy Black Monarch Plus RC3 200x51 Mid Rebound/Mid Compression
1	11.4115.126.060	Damper Assy Black Monarch Plus RC3 200x51 Mid Rebound/High Compression
1	11.4115.126.070	Damper Assy Black Monarch Plus RC3 200x57 Mid Rebound/Low Compression
1	11.4115.126.080	Damper Assy Black Monarch Plus RC3 200x57 Mid Rebound/Mid Compression
1	11.4115.126.090	Damper Assy Black Monarch Plus RC3 200x57 Mid Rebound/High Compression
1	11.4115.126.100	Damper Assy Black Monarch Plus RC3 216x63 Mid Rebound/Low Compression
1	11.4115.126.110	Damper Assy Black Monarch Plus RC3 216x63 Mid Rebound/Mid Compression
1	11.4115.126.120	Damper Assy Black Monarch Plus RC3 216x63 Mid Rebound/High Compression
1	11.4115.126.130	Damper Assy Black Monarch Plus RC3 216x63 Mid Rebound/High3 Compression
1	11.4115.126.140	Damper Assy Black Monarch Plus RC3 222x66 Mid Rebound/Low Compression
1	11.4115.126.150	Damper Assy Black Monarch Plus RC3 222x66 Mid Rebound/Mid Compression
1	11.4115.126.160	Damper Assy Black Monarch Plus RC3 222x66 Mid Rebound/High Compression
1	11.4115.126.170	Damper Assy White Monarch Plus RC3 190x51 Mid Rebound/Low Compression
1	11.4115.126.180	Damper Assy White Monarch Plus RC3 190x51 Mid Rebound/Mid Compression
1	11.4115.126.190	Damper Assy White Monarch Plus RC3 190x51 Mid Rebound/High Compression
1	11.4115.126.200	Damper Assy White Monarch Plus RC3 200x51 Mid Rebound/Low Compression
1	11.4115.126.210	Damper Assy White Monarch Plus RC3 200x51 Mid Rebound/Mid Compression
1	11.4115.126.220	Damper Assy White Monarch Plus RC3 200x51 Mid Rebound/High Compression
1	11.4115.126.230	Damper Assy White Monarch Plus RC3 200x57 Mid Rebound/Low Compression
1	11.4115.126.240	Damper Assy White Monarch Plus RC3 200x57 Mid Rebound/Mid Compression
1	11.4115.126.250	Damper Assy White Monarch Plus RC3 200x57 Mid Rebound/High Compression
1	11.4115.126.260	Damper Assy White Monarch Plus RC3 216x63 Mid Rebound/Low Compression
1	11.4115.126.270	Damper Assy White Monarch Plus RC3 216x63 Mid Rebound/Mid Compression
1	11.4115.126.280	Damper Assy White Monarch Plus RC3 216x63 Mid Rebound/High Compression
1	11.4115.126.290	Damper Assy White Monarch Plus RC3 222x66 Mid Rebound/Low Compression
1	11.4115.126.300	Damper Assy White Monarch Plus RC3 222x66 Mid Rebound/Mid Compression
1	11.4115.126.310	Damper Assy White Monarch Plus RC3 222x66 Mid Rebound/High Compression
2	11.4115.106.010	Air Can Black Monarch/Plus RC3/RT/R(2011-2013) Monarch RT3 (2011-2012) 152x31
2	11.4115.106.020	Air Can Black Monarch/Plus RC3/RT/R(2011-2013) Monarch RT3 (2011-2012) 165x38
2	11.4115.106.030	Air Can Black Monarch/Plus RC3/RT/R(2011-2013) Monarch RT3 (2011-2012) 184x44
2	11.4115.106.040	Air Can Black Monarch/Plus RC3/RT/R(2011-2013) Monarch RT3 (2011-2012) 190x51 / 200x51
2	11.4115.106.050	Air Can Black Monarch/Plus RC3/RT/R(2011-2013) Monarch RT3 (2011-2012) 200x57
2	11.4115.106.060	Air Can Black Monarch/Plus RC3/RT/R(2011-2013) Monarch RT3 (2011-2012) 216x63
2	11.4115.106.070	Air Can Black Monarch/Plus RC3/RT/R(2011-2013) Monarch RT3 (2011-2012) 222x66
2	11.4115.106.130	Air Can White 2011-2012 Monarch/Plus 152x31
2	11.4115.106.140	Air Can White 2011-2012 Monarch/Plus 165x38
2	11.4115.106.150	Air Can White 2011-2012 Monarch/Plus 184x44
2	11.4115.106.160	Air Can White 2011-2012 Monarch/Plus 190x51 / 200x51
2	11.4115.106.170	Air Can White 2011-2012 Monarch/Plus 200x57
2	11.4115.106.180	Air Can White 2011-2012 Monarch/Plus 216x63
2	11.4115.106.190	Air Can White 2011-2012 Monarch/Plus 222x66
3	11.4115.106.080	Air Can Black HIGH VOLUME 2011-2012 Monarch/Plus RC3/RT3/RT/R 184x44
3	11.4115.106.090	Air Can Black HIGH VOLUME 2011-2012 Monarch/Plus RC3/RT3/RT/R 190x51 / 200x51
3	11.4115.106.100	Air Can Black HIGH VOLUME 2011-2012 Monarch/Plus RC3/RT3/RT/R 200x57
3	11.4115.106.110	Air Can Black HIGH VOLUME 2011-2012 Monarch/Plus RC3/RT3/RT/R 216x63
3	11.4115.106.120	Air Can Black HIGH VOLUME 2011-2012 Monarch/Plus RC3/RT3/RT/R 222x66
3	11.4115.106.200	Air Can White High Volume 2011-2012 Monarch/Plus 184x44
3	11.4115.106.210	Air Can White High Volume 2011-2012 Monarch/Plus 190x51 / 200x51
3	11.4115.106.220	Air Can White High Volume 2011-2012 Monarch/Plus 200x57
3	11.4115.106.230	Air Can White High Volume 2011-2012 Monarch/Plus 216x63
3	11.4115.106.240	Air Can White High Volume 2011-2012 Monarch/Plus 222x66
3	11.4115.106.250	Air Can Black High Volume HV4 2011-2012 Monarch/Plus 216x63
3	11.4115.106.260	Air Can Black High Volume HV3 2011-2012 Monarch/Plus 200x57
3	11.4115.106.270	Air Can Black High Volume HV6 2011-2012 Monarch/Plus 200x57
4	11.4115.117.010	Rebound Adjuster Assembly - Monarch Plus
5	11.4115.119.010	Compression Lever - Monarch Plus
6	11.4115.118.010	Eyelet/Reservoir Assembly Black LC - Monarch Plus RC3
6	11.4115.118.020	Eyelet/Reservoir Assembly Black MC - Monarch Plus RC3
6	11.4115.118.030	Eyelet/Reservoir Assembly Black HC - Monarch Plus RC3
6	11.4115.118.040	Eyelet/Reservoir Assembly White LC - Monarch Plus RC3
6	11.4115.118.050	Eyelet/Reservoir Assembly White MC - Monarch Plus RC3
6	11.4115.118.060	Eyelet/Reservoir Assembly White HC - Monarch Plus RC3
6	11.4115.118.070	Eyelet/Reservoir Assembly Black - Monarch Plus R
6	11.4115.118.080	Eyelet/Reservoir Assembly White - Monarch Plus R
7	11.4115.120.010	Reservoir Piston Assembly Medium - Monarch Plus RC3
7	11.4115.120.020	Reservoir Piston Assembly High - Monarch Plus RC3
8	11.4115.121.010	Reservoir Can Black - Monarch Plus
8	11.4115.121.020	Reservoir Can White - Monarch Plus
9	11.4115.122.010	Internal Floating Piston Assembly (reservoir) - Monarch Plus
10	11.4115.123.010	Top Cap Assembly (for Reservoir, Black) - Monarch Plus
10	11.4115.123.020	Top Cap Assembly (for Reservoir, White) - Monarch Plus



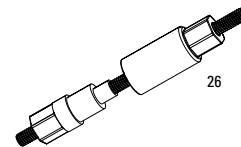
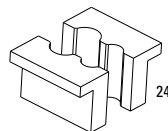
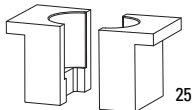
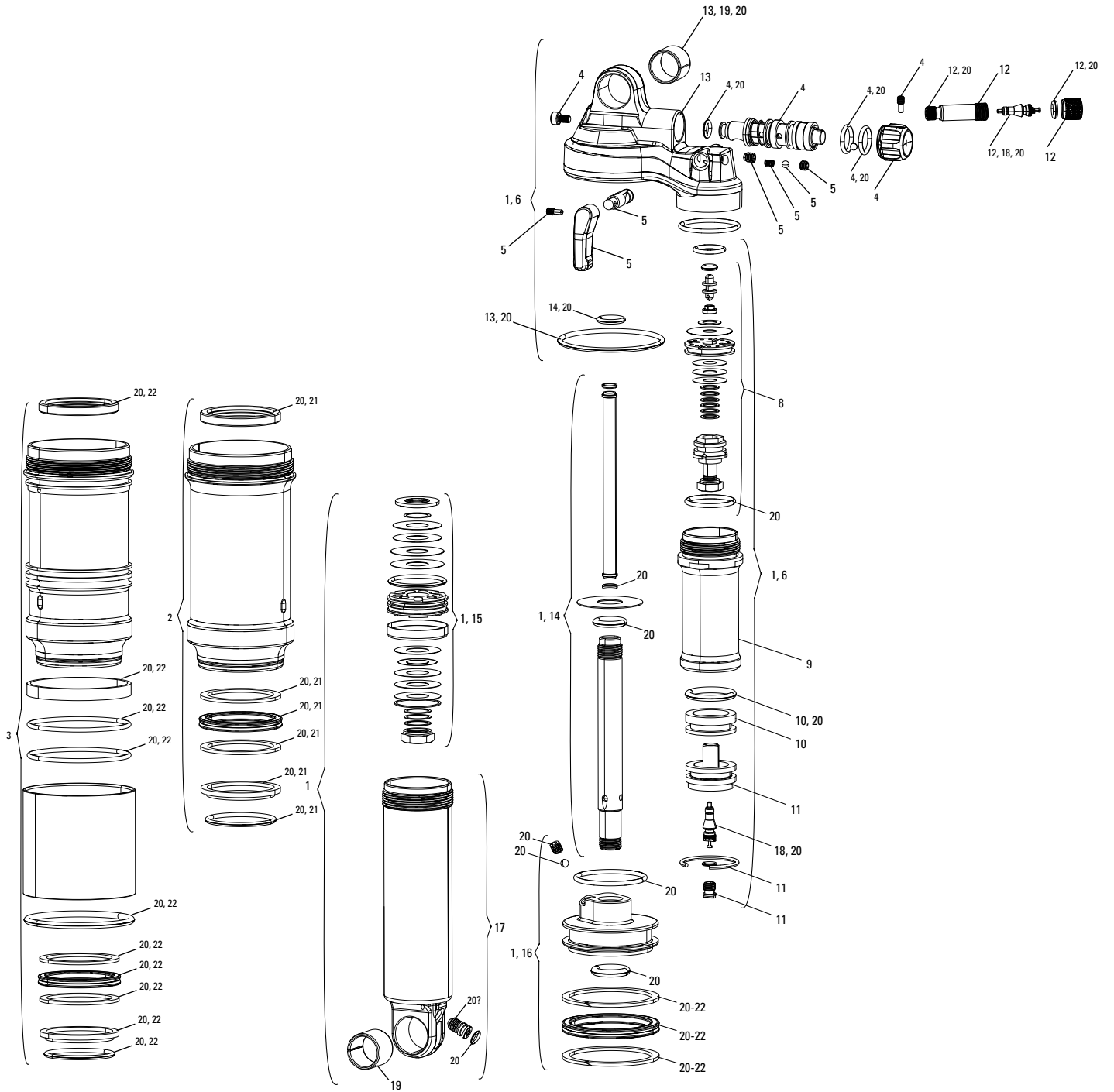
No.	Part Number	Description
11	11.4115.124.010	Air Valve Assembly - Monarch Plus (includes valve body, valve, valve cap) A1/B1
12	11.4115.125.010	Eyelet Black - Monarch Plus (includes eyelet, eyelet bushing, shaft oring)
12	11.4115.125.020	Eyelet White - Monarch Plus (includes eyelet, eyelet bushing, shaft oring)
13	11.4115.127.010	Shaft Kit/Piston/Tune Kit - ML 190x51/200x51 - Monarch Plus (includes shaft separator, shaft, washer and seals)
13	11.4115.127.020	Shaft Kit/Piston/Tune Kit - MM 190x51/200x51 - Monarch Plus (includes shaft separator, shaft, washer and seals)
13	11.4115.127.030	Shaft Kit/Piston/Tune Kit - MH 190x51/200x51 - Monarch Plus (includes shaft separator, shaft, washer and seals)
13	11.4115.127.040	Shaft Kit/Piston/Tune Kit - ML 200x57/203x57 - Monarch Plus (includes shaft separator, shaft, washer and seals)
13	11.4115.127.050	Shaft Kit/Piston/Tune Kit - MM 200x57/203x57 - Monarch Plus (includes shaft separator, shaft, washer and seals)
13	11.4115.127.060	Shaft Kit/Piston/Tune Kit - MH 200x57/203x57 - Monarch Plus (includes shaft separator, shaft, washer and seals)
13	11.4115.127.070	Shaft Kit/Piston/Tune Kit - ML 216x63 - Monarch Plus (includes shaft separator, shaft, washer and seals)
13	11.4115.127.080	Shaft Kit/Piston/Tune Kit - MM 216x63 - Monarch Plus (includes shaft separator, shaft, washer and seals)
13	11.4115.127.090	Shaft Kit/Piston/Tune Kit - MH 216x63 - Monarch Plus (includes shaft separator, shaft, washer and seals)
13	11.4115.127.100	Shaft Kit/Piston/Tune Kit - MH3 216x63 - Monarch Plus (includes shaft separator, shaft, washer and seals)
13	11.4115.127.110	Shaft Kit/Piston/Tune Kit - ML 222x66 - Monarch Plus (includes shaft separator, shaft, washer and seals)
13	11.4115.127.120	Shaft Kit/Piston/Tune Kit - MM 222x66 - Monarch Plus (includes shaft separator, shaft, washer and seals)
13	11.4115.127.130	Shaft Kit/Piston/Tune Kit - MH 222x66 - Monarch Plus (includes shaft separator, shaft, washer and seals)
14	11.4115.110.010	Fixed Piston Assembly - Monarch 2012 RT3/2012-2013 RT R XX/2013 RL
15	11.4115.112.040	Damper Body/IFP - Monarch RT3/RL/RT/R 190x51
15	11.4115.112.050	Damper Body/IFP - Monarch RT3/RL/RT/R 200x51
15	11.4115.112.060	Damper Body/IFP - Monarch RT3/RL/RT/R 200x57
15	11.4115.112.070	Damper Body/IFP - Monarch RT3/RL/RT/R 203x57
15	11.4115.112.080	Damper Body/IFP - Monarch RT3/RL/RT/R 216x63
15	11.4115.112.090	Damper Body/IFP - Monarch RT3/RL/RT/R 222x66
16	11.4308.327.002	Schrader Valve Core Qty 2
17	11.4115.013.000	Rear Shock Eyelet Bushing 1/2"x1/2" Qty 2
18	11.4115.129.010	Service Kit - Monarch Plus (does not include air can seals)
19	00.4315.032.240	AM Rear Shock Air Can Service Kit, Basic - Monarch/Monarch Plus (2012)
20	00.4315.032.250	AM Rear Shock Air Can High Volume Service Kit, Basic - Monarch/Monarch Plus (2012)
21	11.4115.039.000	Monarch Air Can (HV) Tuning Kit
ns	11.4318.003.198	Decal Kit Kage R
ns	11.4318.003.199	Decal Kit Kage RC
ns	11.4318.003.200	Decal Kit Monarch Plus R White
ns	11.4318.003.201	Decal Kit Monarch Plus R Black
ns	11.4318.003.202	Decal Kit Monarch Plus R High Volume White
ns	11.4318.003.203	Decal Kit Monarch Plus R High Volume Black
ns	11.4318.003.204	Decal Kit Monarch Plus RC3 White
ns	11.4318.003.205	Decal Kit Monarch Plus RC3 Black
ns	11.4115.115.010	Decal, Rear Shock, Tune (ML) - 2011 Vivid/Monarch Qty 10
ns	11.4115.115.020	Decal, Rear Shock, Tune (MM) - 2011 Vivid/Monarch Qty 10
ns	11.4115.115.030	Decal, Rear Shock, Tune (MH) - 2011 Vivid/Monarch Qty 10
ns	11.4115.115.040	Decal, Rear Shock, Tune (ML3) - 2011 Vivid/Monarch Qty 10
ns	11.4115.115.050	Decal, Rear Shock, Tune (MH3) - 2011 Vivid/Monarch Qty 10
ns	11.4115.115.060	Decal, Rear Shock, Tune (LL3) - 2011 Vivid/Monarch Qty 10
ns	11.4115.115.070	Decal, Rear Shock, Tune (LL) - 2011 Vivid/Monarch Qty 10
ns	11.4115.115.080	Decal, Rear Shock, Tune (LM) - 2011 Vivid/Monarch Qty 10
ns	11.4115.115.090	Decal, Rear Shock, Tune (LH) - 2011 Vivid/Monarch Qty 10
ns	11.4115.115.100	Decal, Rear Shock, Tune (LH3) - 2011 Vivid/Monarch Qty 10
ns	11.4115.115.110	Decal, Rear Shock, Tune (HL) - 2011 Vivid/Monarch Qty 10
ns	11.4115.115.120	Decal, Rear Shock, Tune (HL3) - 2011 Vivid/Monarch Qty 10
ns	11.4115.115.130	Decal, Rear Shock, Tune (HM) - 2011 Vivid/Monarch Qty 10
ns	11.4115.115.140	Decal, Rear Shock, Tune (HH) - 2011 Vivid/Monarch Qty 10
ns	11.4115.094.010	Lubricant, Rear Shock Air Can, Maxima 15W 50, 1 Liter Bottle
ns	11.4115.094.020	Lubricant, Rear Shock Seals, Parker O-Lube, 2g tube
ns	00.4315.014.010	Grease, PM600 Military Grease 14oz (for oring seals)
ns	11.4315.004.030	RockShox Rear Suspension Damping Fluid 7wt 16oz bottle
ns	11.4315.021.060	RockShox Rear Suspension Damping Fluid 7wt 120ml bottle
22	00.4315.027.010	Air Valve Adapter Tool - RockShox Monarch
23	00.4115.154.010	Rear Shock Vise blocks, RockShox Monarch/Vivid/Vivid Air
24	00.4315.026.010	1/2"x1/2" Rear Shock Bushing Tool (Eyelet/SealHead) RockShox
ns	00.4315.023.010	High-Pressure Fork/Shock Pump (300 psi Max) RockShox
ns	00.4315.023.030	High-Pressure Fork/Shock Pump (600 psi Max) RockShox
ns	00.4315.022.010	Schrader Valve Removal Tool Rockshox
25	00.4118.013.000	Rear Shock Body Vise blocks, RockShox Monarch

MONARCH PLUS R (B1/2014)



Note:

1. Monarch Plus RC3 damper assembly is available completely assembled (1).
2. All Monarch Plus damper assemblies are compatible with both standard and high-volume air can assemblies; air can includes all seals installed.
3. Refer to RockShox technical manuals for service, oil and lubricant requirements.
4. Use "1/2"x1/2" Rear Shock Bushing/Mount Hardware Tool" to remove and install eyelet bushing and mounting hardware.
8. All eyelet assemblies are fully assembled
9. Damper assemblies are fully assembled

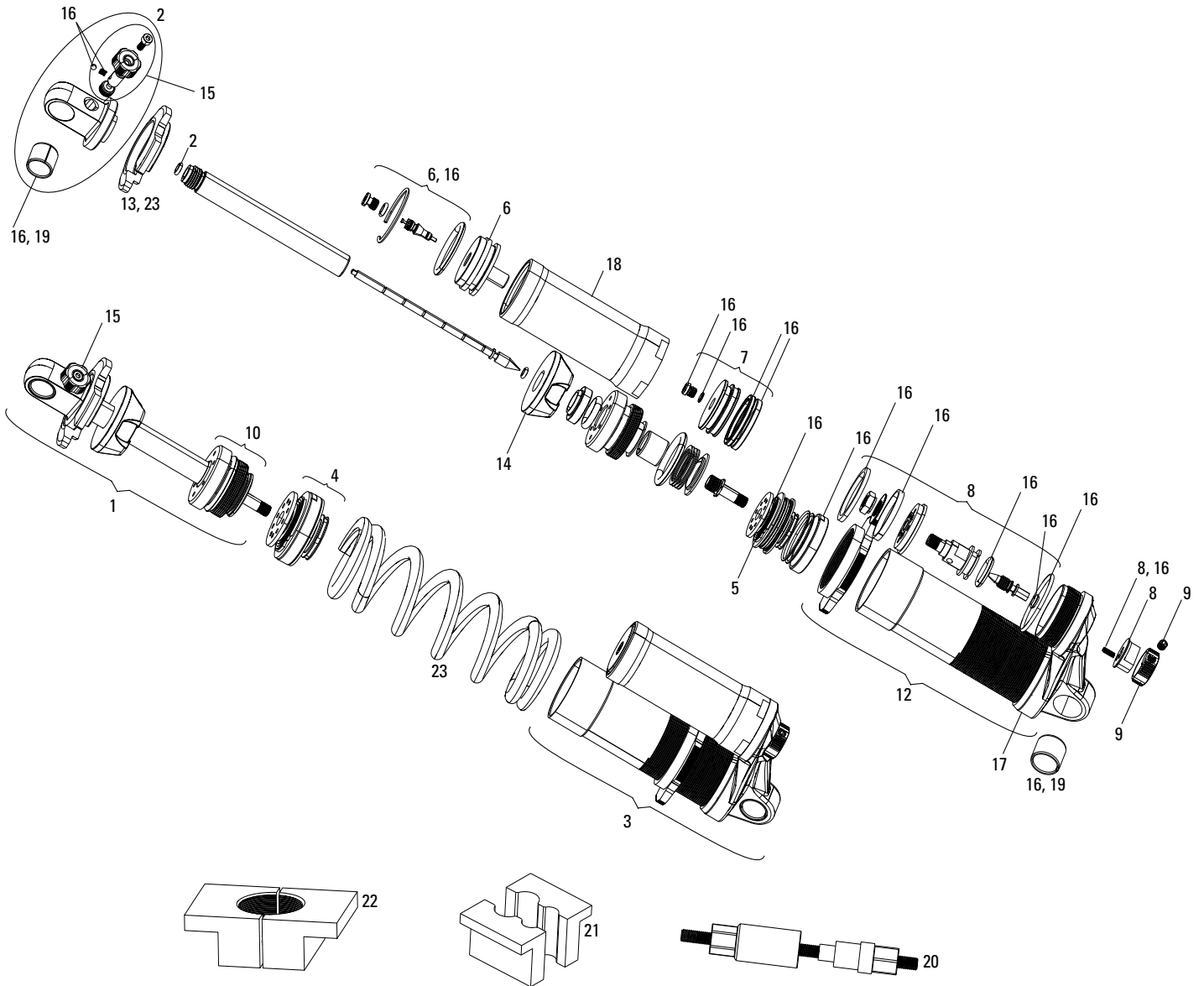




No.	Part Number	Description
1	11.4118.034.022	Damper Assy - Monarch Plus 190x51 Mid Rebound/Mid Compression Black High Volume Eyelet B1
1	11.4118.034.023	Damper Assy - Monarch Plus 200X51 Mid Rebound/Mid Compression Black High Volume Eyelet B1
1	11.4118.034.024	Damper Assy - Monarch Plus 200X57 Mid Rebound/Mid Compression Black High Volume Eyelet B1
1	11.4118.034.025	Damper Assy - Monarch Plus 216X63 Mid Rebound/Mid Compression Black High Volume Eyelet B1
1	11.4118.034.026	Damper Assy - Monarch Plus 222X66 Mid Rebound/Mid Compression Black High Volume Eyelet B1
2	11.4118.033.008	Air Can Assembly Monarch Black 152x31, B1(Plus,RL,XX), C1(R,RT,RT3)
2	11.4118.033.009	Air Can Assembly Monarch Black 165x38, B1(Plus,RL,XX), C1(R,RT,RT3)
2	11.4118.033.010	Air Can Assembly Monarch Black 184x44, B1(Plus,RL,XX), C1(R,RT,RT3)
2	11.4118.033.011	Air Can Assembly Monarch Black 190x51/200x51, B1(Plus,RL,XX), C1(R,RT,RT3)
2	11.4118.033.012	Air Can Assembly Monarch Black 200x57, B1(Plus,RL,XX), C1(R,RT,RT3)
2	11.4118.033.013	Air Can Assembly Monarch Black 216x63, B1(Plus,RL,XX), C1(R,RT,RT3)
2	11.4118.033.018	Air Can Assembly Monarch White 152x31, B1(Plus,RL,XX), C1(R,RT,RT3)
2	11.4118.033.019	Air Can Assembly Monarch White 165x38, B1(Plus,RL,XX), C1(R,RT,RT3)
2	11.4118.033.020	Air Can Assembly Monarch White 184x44, B1(Plus,RL,XX), C1(R,RT,RT3)
2	11.4118.033.021	Air Can Assembly Monarch White 190x51/200x51, B1(Plus,RL,XX), C1(R,RT,RT3)
2	11.4118.033.022	Air Can Assembly Monarch White 200x57, B1(Plus,RL,XX), C1(R,RT,RT3)
2	11.4118.033.023	Air Can Assembly Monarch White 216x63, B1(Plus,RL,XX), C1(R,RT,RT3)
3	11.4118.033.014	Air Can Assembly Monarch Black High Volume 165x38, B1(Plus,RL,XX), C1(R,RT,RT3)
3	11.4118.033.015	Air Can Assembly Monarch Black High Volume 190x51/200x51, B1(Plus,RL,XX), C1(R,RT,RT3)
3	11.4118.033.016	Air Can Assembly Monarch Black High Volume 200x57, B1(Plus,RL,XX), C1(R,RT,RT3)
3	11.4118.033.017	Air Can Assembly Monarch Black High Volume 216x63, B1(Plus,RL,XX), C1(R,RT,RT3)
3	11.4118.033.024	Air Can Assembly Monarch White High Volume 165x38, B1(Plus,RL,XX), C1(R,RT,RT3)
3	11.4118.033.025	Air Can Assembly Monarch White High Volume 190x51/200x51, B1(Plus,RL,XX), C1(R,RT,RT3)
3	11.4118.033.026	Air Can Assembly Monarch White High Volume 200x57, B1(Plus,RL,XX), C1(R,RT,RT3)
3	11.4118.033.027	Air Can Assembly Monarch White High Volume 216x63, B1(Plus,RL,XX), C1(R,RT,RT3)
4	11.4115.117.020	Rebound Adjuster Assembly - Monarch Plus B1
5	11.4115.119.020	Compression Lever - Monarch Plus B1
6	11.4115.118.090	Eyelet/Reservoir Assembly Black - Monarch Plus RC3 B1
6	11.4115.118.100	Eyelet/Reservoir Assembly White - Monarch Plus RC3 B1
7	11.4115.118.110	Eyelet/Reservoir Assembly Black - Monarch Plus R B1
7	11.4115.118.120	Eyelet/Reservoir Assembly White - Monarch Plus R B1
8	11.4115.120.030	Reservoir Piston Assembly - Monarch Plus RC3 B1
9	11.4115.121.010	Reservoir Can Black - Monarch Plus A1/B1
9	11.4115.121.020	Reservoir Can White - Monarch Plus A1/B1
10	11.4115.122.010	Internal Floating Piston Assembly (reservoir) - Monarch Plus A1/BA
11	11.4115.123.010	Top Cap Assembly (for Reservoir, Black) - Monarch Plus A1/B1
11	11.4115.123.020	Top Cap Assembly (for Reservoir, White) - Monarch Plus A1/B1
12	11.4115.124.010	Air Valve Assembly - Monarch Plus (includes valve body, valve, valve cap) A1/B1
13	11.4118.039.000	Eyelet Black - Monarch Plus (includes eyelet, eyelet bushing, shaft oring) B1
13	11.4118.039.001	Eyelet White - Monarch Plus (includes eyelet, eyelet bushing, shaft oring) B1
14	11.4118.036.028	Shaft & Adjuster Rod Kit - Monarch Plus 190x51 / 200x51 B1
14	11.4118.036.029	Shaft & Adjuster Rod Kit - Monarch Plus 200x57/203x57 B1
14	11.4118.036.030	Shaft & Adjuster Rod Kit - Monarch Plus 216x63 B1
14	11.4118.036.031	Shaft & Adjuster Rod Kit - Monarch Plus 222x66 B1
15	11.4118.023.051	Tune Assy, Monarch Plus Reb-Low/Comp-Low 3 (CF-60lbs), LF-320, B1
15	11.4118.023.052	Tune Assy, Monarch Plus Reb-Low/Comp-Low (CF-80lbs), LF-320, B1
15	11.4118.023.053	Tune Assy, Monarch Plus Reb-Low/Comp-Mid (CF-97lbs), LF-320, B1
15	11.4118.023.054	Tune Assy, Monarch Plus Reb-Low/Comp-High (CF-110lbs), LF-320, B1
15	11.4118.023.055	Tune Assy, Monarch Plus Reb-Mid/Comp-Low 3 (CF-60 lbs), LF-320, B1
15	11.4118.023.056	Tune Assy, Monarch Plus Reb-Mid/Comp-Low (CF-80lbs), LF-320, B1
15	11.4118.023.057	Tune Assy, Monarch Plus Reb-Mid/Comp-Mid (CF-97lbs), LF-320, B1
15	11.4118.023.058	Tune Assy, Monarch Plus Reb-Mid/Comp-High (CF-110lbs), LF-320, B1
15	11.4118.023.059	Tune Assy, Monarch Plus Reb-High/Comp-Low (CF-80lbs), LF-320, B1
15	11.4118.023.060	Tune Assy, Monarch Plus Reb-High/Comp-Mid (CF-97lbs), LF-320, B1
15	11.4118.023.061	Tune Assy, Monarch Plus Reb-High/Comp-High (CF-110lbs), LF-320, B1
16	11.4118.013.000	Fixed Piston Assembly - Monarch 2014, B1(Plus,RL,XX), C1(R,RT,RT3)
17	11.4118.037.003	Damper Body/IFP - Monarch Plus/RT3/RL/RT/R 190x51, B1(Plus,RL,XX), C1(R,RT,Plus/RT3)
17	11.4118.037.004	Damper Body/IFP - Monarch Plus/RT3/RL/RT/R 200x51, B1(Plus,RL,XX), C1(R,RT,Plus/RT3)
17	11.4118.037.005	Damper Body/IFP - Monarch Plus/RT3/RL/RT/R 200x57, B1(Plus,RL,XX), C1(R,RT,Plus/RT3)
17	11.4118.037.006	Damper Body/IFP - Monarch Plus/RT3/RL/RT/R 203x57, B1(Plus,RL,XX), C1(R,RT,Plus/RT3)
17	11.4118.037.007	Damper Body/IFP - Monarch Plus/RT3/RL/RT/R 216x63, B1(Plus,RL,XX), C1(R,RT,Plus/RT3)
17	11.4118.037.008	Damper Body/IFP - Monarch Plus/RT3/RL/RT/R 222x66, B1(Plus,RL,XX), C1(R,RT,Plus/RT3)
18	11.4308.327.002	Schrader Valve Core Qty 2
19	11.4115.013.000	Rear Shock Eyelet Bushing 1/2"X1/2" Qty 2
20	11.4118.038.002	Service Kit Full - Monarch Plus B1
21	00.4315.032.380	AM Rear Shock Air Can Service Kit, Basic - Monarch B1(Plus,XX,RL) C1 (R,RT3)
22	00.4315.032.390	AM Rear Shock Air Can Service Kit, Basic - Monarch High Volume B1(Plus,XX,RL) C1 (R,RT3)



No.	Part Number	Description
ns	11.4318.003.249	Decal Kit Monarch Plus R/RC3 White Can 190/200 B1
ns	11.4318.003.250	Decal Kit Monarch Plus R/RC3 Black Can 190/200 B1
ns	11.4318.003.251	Decal Kit Monarch Plus R/RC3 White Can 216/222 B1
ns	11.4318.003.252	Decal Kit Monarch Plus R/RC3 Black Can 216/222 B1
ns	11.4318.003.253	Decal Kit Monarch Plus R/RC3 High Volume White Can 190/200 B1
ns	11.4318.003.254	Decal Kit Monarch Plus R/RC3 High Volume Black Can 190/200 B1
ns	11.4318.003.255	Decal Kit Monarch Plus R/RC3 High Volume White Can 216/222 B1
ns	11.4318.003.256	Decal Kit Monarch Plus R/RC3 High Volume Black Can 216/222 B1
ns	11.4115.115.010	Decal, Rear Shock, Tune (ML) - 2011 Vivid/Monarch Qty 10
ns	11.4115.115.020	Decal, Rear Shock, Tune (MM) - 2011 Vivid/Monarch Qty 10
ns	11.4115.115.030	Decal, Rear Shock, Tune (MH) - 2011 Vivid/Monarch Qty 10
ns	11.4115.115.040	Decal, Rear Shock, Tune (ML3) - 2011 Vivid/Monarch Qty 10
ns	11.4115.115.050	Decal, Rear Shock, Tune (MH3) - 2011 Vivid/Monarch Qty 10
ns	11.4115.115.060	Decal, Rear Shock, Tune (LL3) - 2011 Vivid/Monarch Qty 10
ns	11.4115.115.070	Decal, Rear Shock, Tune (LL) - 2011 Vivid/Monarch Qty 10
ns	11.4115.115.080	Decal, Rear Shock, Tune (LM) - 2011 Vivid/Monarch Qty 10
ns	11.4115.115.090	Decal, Rear Shock, Tune (LH) - 2011 Vivid/Monarch Qty 10
ns	11.4115.115.100	Decal, Rear Shock, Tune (LH3) - 2011 Vivid/Monarch Qty 10
ns	11.4115.115.110	Decal, Rear Shock, Tune (HL) - 2011 Vivid/Monarch Qty 10
ns	11.4115.115.120	Decal, Rear Shock, Tune (HL3) - 2011 Vivid/Monarch Qty 10
ns	11.4115.115.130	Decal, Rear Shock, Tune (HM) - 2011 Vivid/Monarch Qty 10
ns	11.4115.115.140	Decal, Rear Shock, Tune (HH) - 2011 Vivid/Monarch Qty 10
ns	11.4115.094.010	Lubricant, Rear Shock Air Can, Maxima 15W 50, 1 Liter Bottle
ns	11.4115.094.020	Lubricant, Rear Shock Seals, Parker O-Lube, 2g tube
ns	00.4315.014.010	Grease, PM600 Military Grease 14oz (for oring seals)
ns	11.4315.004.030	RockShox Rear Suspension Damping Fluid 7wt 16oz bottle
ns	11.4315.021.060	RockShox Rear Suspension Damping Fluid 7wt 120ml bottle
23	00.4315.027.010	Air Valve Adapter Tool - RockShox Monarch
24	00.4115.154.010	Rear Shock Vise blocks, RockShox Monarch/Vivid/Vivid Air
25	00.4118.013.000	Rear Shock Body Vise blocks, RockShox Monarch
26	00.4315.026.010	1/2"x1/2" Rear Shock Bushing Tool (Eyelet/SealHead) RockShox
ns	00.4315.023.010	High-Pressure Fork/Shock Pump (300 psi Max) RockShox
ns	00.4315.023.030	High-Pressure Fork/Shock Pump (600 psi Max) RockShox
ns	00.4315.022.010	Schrader Valve Removal Tool Rockshox



Note:

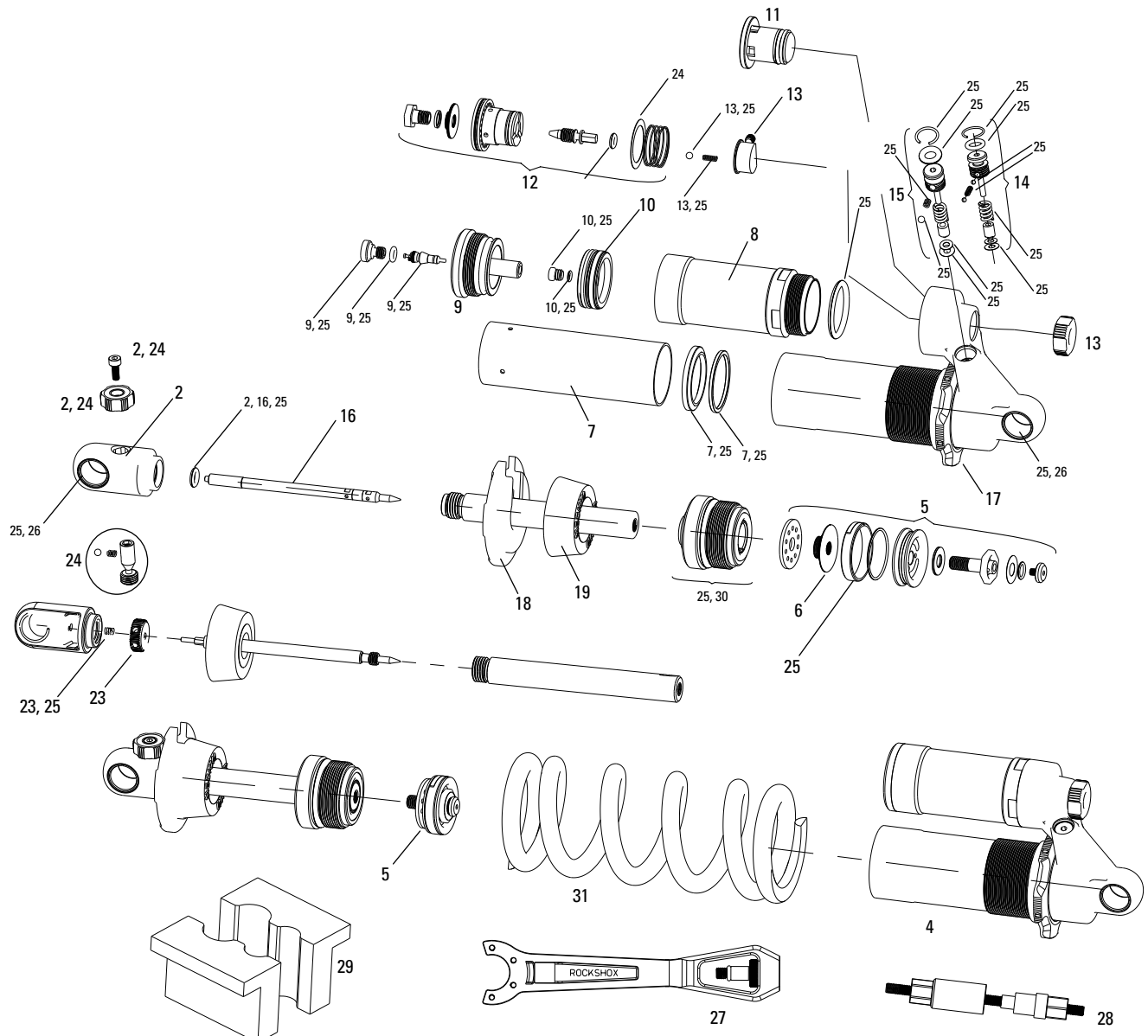
1. Not all service parts may be visible in exploded views. Kage Service Kit includes all o-rings, seals, glide rings, ball bearings, and detent springs.
2. Eyelet/Shaft/Sealhead assembly (item 1) does not include spring retainer.
3. Pre-2013 - If shaft / needle o-rings need to be replaced/serviced, must update to new improved Eyelet/Shaft/Sealhead assembly.
4. Kage rear shocks produced after 1 January 2013: If shaft / needle o-rings need to be replaced/serviced, must replace entire Eyelet/Shaft/Sealhead assembly.
5. Kage rear shocks produced after 1 January 2013: Feature a green sealhead scraper that is not compatible with Kage shocks produced before 1 January 2013.
6. Vivid spring is compatible with Kage. Vivid spring collar/retainer is not compatible with Kage.
7. Refer to RockShox technical manuals for service, oil and lubricant requirements.
8. Use 1/2"x1/2" Rear Shock Bushing/Mount Hardware Tool' to remove and install eyelet bushing and mounting hardware.

No.	Part Number	Description
1	11.4118.016.000	Eyelet/Shaft/Sealhead Assy, Kage RC, 90 degree rebound, 200X57 Low, 2013 (Compatible with Earlier Kage Editions)
1	11.4118.016.001	Eyelet/Shaft/Sealhead Assy, Kage RC, 90 degree rebound, 200X57 Medium, 2013 (Compatible with Earlier Kage Editions)
1	11.4118.016.002	Eyelet/Shaft/Sealhead Assy, Kage RC, 90 degree rebound, 200X57 High, 2013 (Compatible with Earlier Kage Editions)
1	11.4118.016.003	Eyelet/Shaft/Sealhead Assy, Kage RC, 90 degree rebound, 216X63.5Low, 2013 (Compatible with Earlier Kage Editions)
1	11.4118.016.004	Eyelet/Shaft/Sealhead Assy, Kage RC, 90 degree rebound, 216X63.5Medium, 2013 (Compatible with Earlier Kage Editions)
1	11.4118.016.005	Eyelet/Shaft/Sealhead Assy, Kage RC, 90 degree rebound, 216X63.5High, 2013 (Compatible with Earlier Kage Editions)
1	11.4118.016.006	Eyelet/Shaft/Sealhead Assy, Kage RC, 90 degree rebound, 222X70 Low, 2013 (Compatible with Earlier Kage Editions)
1	11.4118.016.007	Eyelet/Shaft/Sealhead Assy, Kage RC, 90 degree rebound, 222X70 Medium, 2013 (Compatible with Earlier Kage Editions)
1	11.4118.016.008	Eyelet/Shaft/Sealhead Assy, Kage RC, 90 degree rebound, 222X70 High, 2013 (Compatible with Earlier Kage Editions)
1	11.4118.016.009	Eyelet/Shaft/Sealhead Assy, Kage RC, 90 degree rebound, 240X76 Low, 2013 (Compatible with Earlier Kage Editions)
1	11.4118.016.010	Eyelet/Shaft/Sealhead Assy, Kage RC, 90 degree rebound, 240X76 Medium, 2013 (Compatible with Earlier Kage Editions)
1	11.4118.016.011	Eyelet/Shaft/Sealhead Assy, Kage RC, 90 degree rebound, 240X76 High, 2013 (Compatible with Earlier Kage Editions)
2	11.4115.138.000	Shaft Eyelet/Rebound Adjuster Knob Assembly KAGE

KAGE (2012-2014)



No.	Part Number	Description
3	11.4115.139.000	Damper Body/Reservoir Assy, 200X57 (assembled) Kage RC
3	11.4115.139.010	Damper Body/Reservoir Assy, 216x63.5/222x70 (assembled) Kage RC
3	11.4115.139.020	Damper Body/Reservoir Assy, 240x76 (assembled) Kage RC
4	11.4115.140.000	Main Piston Assy, Low, KAGE
4	11.4115.140.010	Main Piston Assy, Mid, KAGE
4	11.4115.140.020	Main Piston Assy, High, KAGE
5	11.4115.141.000	Piston Shim Stack, Low, KAGE
5	11.4115.141.010	Piston Shim Stack, Mid, KAGE
5	11.4115.141.020	Piston Shim Stack, High, KAGE
6	11.4115.136.000	Reservoir Cap Assy (assembled) - KAGE
7	11.4115.082.010	Reservoir Internal Floating Piston Assy, VIVID/VIVID AIR/KAGE
8	11.4115.144.000	Low Speed Compression Valve Assy (assembled) - KAGE
9	11.4115.145.000	Low Speed Compression Adjuster Knob Assy - KAGE
10	11.4118.017.000	Sealhead Assy Shock Body (assembled) KAGE 13 (Produced after Jan 1st 2013, Green Sealhead Scraper) Not compatible with pre 2013 editions
12	11.4115.148.000	Shock Body / Threaded Collar Assy, includes O-ring KAGE 200
12	11.4115.148.010	Shock Body / Threaded Collar Assy, includes O-ring KAGE 2215-222
12	11.4115.148.020	Shock Body / Threaded Collar Assy, includes O-ring KAGE 240
13	11.4115.149.000	Spring Collar/Retainer Aluminum (200lb-500lb) - KAGE
14	11.4115.150.000	Bottom Out Bumper Kage
15	11.4115.085.010	Rebound Adjust Knob Kit 2011 Vivid/Vivid Air/KAGE (not compatible 2009-2010)
16	11.4118.018.000	Service Kit KAGE 13 (Produced after Jan 1st 2013, Green Sealhead Scraper) Not compatible with pre 2013 editions
17	11.4115.152.000	Reservoir Housing Kage R
17	11.4115.152.010	Reservoir Housing Kage RC
18	11.4115.142.000	Reservoir Can Kage
ns	11.4318.003.206	Decal Kit Kage R
ns	11.4318.003.207	Decal Kit Kage RC
ns	11.4115.115.010	Decal, Rear Shock, Tune (ML) - 2011 Vivid/Monarch/KAGE Qty 10
ns	11.4115.115.020	Decal, Rear Shock, Tune (MM) - 2011 Vivid/Monarch/KAGE Qty 10
ns	11.4115.115.030	Decal, Rear Shock, Tune (MH) - 2011 Vivid/Monarch/KAGE Qty 10
19	11.4115.013.000	Rear Shock Eyelet Bushing 1/2"X1/2" Qty 2
20	00.4315.026.010	1/2"x1/2" Rear Shock Bushing Tool (Eyelet/SealHead) RockShox
21	00.4115.154.010	Rear Shock Vise blocks, RockShox Monarch/Vivid/Vivid Air
22	00.4115.185.000	Rear Shock Body Vise blocks, RockShox Kage/Vivid
ns	11.4315.004.020	RockShox Rear Suspension Damping Fluid 3wt 16oz bottle
ns	11.4315.021.050	RockShox Rear Suspension Damping Fluid 3wt 120ml bottle
ns	00.4315.014.010	Grease, PM600 Military Grease 14oz (for oring seals)
23	00.4118.026.000	Spring Grey Vivid Kage 300lb 200x51/57
23	00.4118.026.001	Spring Grey Vivid Kage 350lb 200x51/57
23	00.4118.026.002	Spring Grey Vivid Kage 400lb 200x51/57
23	00.4118.026.003	Spring Grey Vivid Kage 450lb 200x51/57
23	00.4118.026.004	Spring Grey Vivid Kage 500lb 200x51/57
23	00.4118.026.005	Spring Grey Vivid Kage 550lb 200x51/57
23	00.4118.026.006	Spring Grey Vivid Kage 600lb 200x51/57
23	00.4118.026.007	Spring Grey Vivid Kage 650lb 200x51/57
23	00.4118.026.008	Spring Grey Vivid Kage 250lb 216/222x70
23	00.4118.026.009	Spring Grey Vivid Kage 300lb 216/222x70
23	00.4118.026.010	Spring Grey Vivid Kage 350lb 216/222x70
23	00.4118.026.011	Spring Grey Vivid Kage 400lb 216/222x70
23	00.4118.026.012	Spring Grey Vivid Kage 450lb 216/222x70
23	00.4118.026.013	Spring Grey Vivid Kage 500lb 216/222x70
23	00.4118.026.014	Spring Grey Vivid Kage 550lb 216/222x70
23	00.4118.026.015	Spring Grey Vivid Kage 600lb 216/222x70
23	00.4118.026.016	Spring Grey Vivid Kage 650lb 216/222x70
23	00.4118.026.017	Spring Grey Vivid Kage 200lb 240x76
23	00.4118.026.018	Spring Grey Vivid Kage 250lb 240x76
23	00.4118.026.019	Spring Grey Vivid Kage 300lb 240x76
23	00.4118.026.020	Spring Grey Vivid Kage 350lb 240x76
23	00.4118.026.021	Spring Grey Vivid Kage 400lb 240x76
23	00.4118.026.022	Spring Grey Vivid Kage 450lb 240x76
23	00.4118.026.023	Spring Grey Vivid Kage 500lb 240x76
23	00.4118.026.024	Spring Grey Vivid Kage 550lb 240x76
23	00.4118.026.025	Spring Grey Vivid Kage 600lb 240x76
23	00.4118.026.026	Spring Grey Vivid Kage 200lb 267x89
23	00.4118.026.027	Spring Grey Vivid Kage 250lb 267x89
23	00.4118.026.028	Spring Grey Vivid Kage 300lb 267x89
23	00.4118.026.029	Spring Grey Vivid Kage 350lb 267x89
23	00.4118.026.030	Spring Grey Vivid Kage 400lb 267x89
23	00.4118.026.031	Spring Grey Vivid Kage 450lb 267x89
23	00.4118.026.032	Spring Grey Vivid Kage 500lb 267x89
23	00.4118.026.033	Spring Grey Vivid Kage 550lb 267x89



Note:

1. Not all service parts may be visible in exploded views. Vivid Service Kit includes all o-rings, seals, glide rings, ball bearings, and detent springs.
2. Please note all model year identification in kit descriptions for compatibility.
3. Eyelet/Shaft/Sealhead assembly (item 1) does not include spring retainer.
4. Use appropriate aluminum spring collar/retainer (item 15) with spring rates 250lb - 500 lb. Use appropriate Steel spring collar/retainer (item 15) with spring rates 550lb - 650lb. See chart for reference.
5. Please refer to the Spring / Collar / Retainer Guide for the correct spring collar/retainer.
6. Refer to RockShox technical manuals for service, oil and lubricant requirements.
7. Use "1/2"x1/2" Rear Shock Bushing/Mount Hardware Tool" to remove and install eyelet bushing and mounting hardware.
8. Full Service kits contain updated sealhead assembly.

Spring / Collar/Retainer Guide		Shock Stroke				
		51mm 2.0in	57mm 2.25in	63mm 2.5in	70mm 2.75in	76mm 3.0in
Spring Weight	200lb	n/a	n/a	Aluminum	Aluminum	Aluminum
	250lb					
	300lb					
	350lb	Aluminum	Aluminum	Aluminum	Aluminum	
	400lb					
	450lb					
	500lb	Steel	Steel	Steel	Steel	
	550lb					
600lb						
650lb	Steel	n/a	n/a	n/a	n/a	

No. Part Number Description

Price

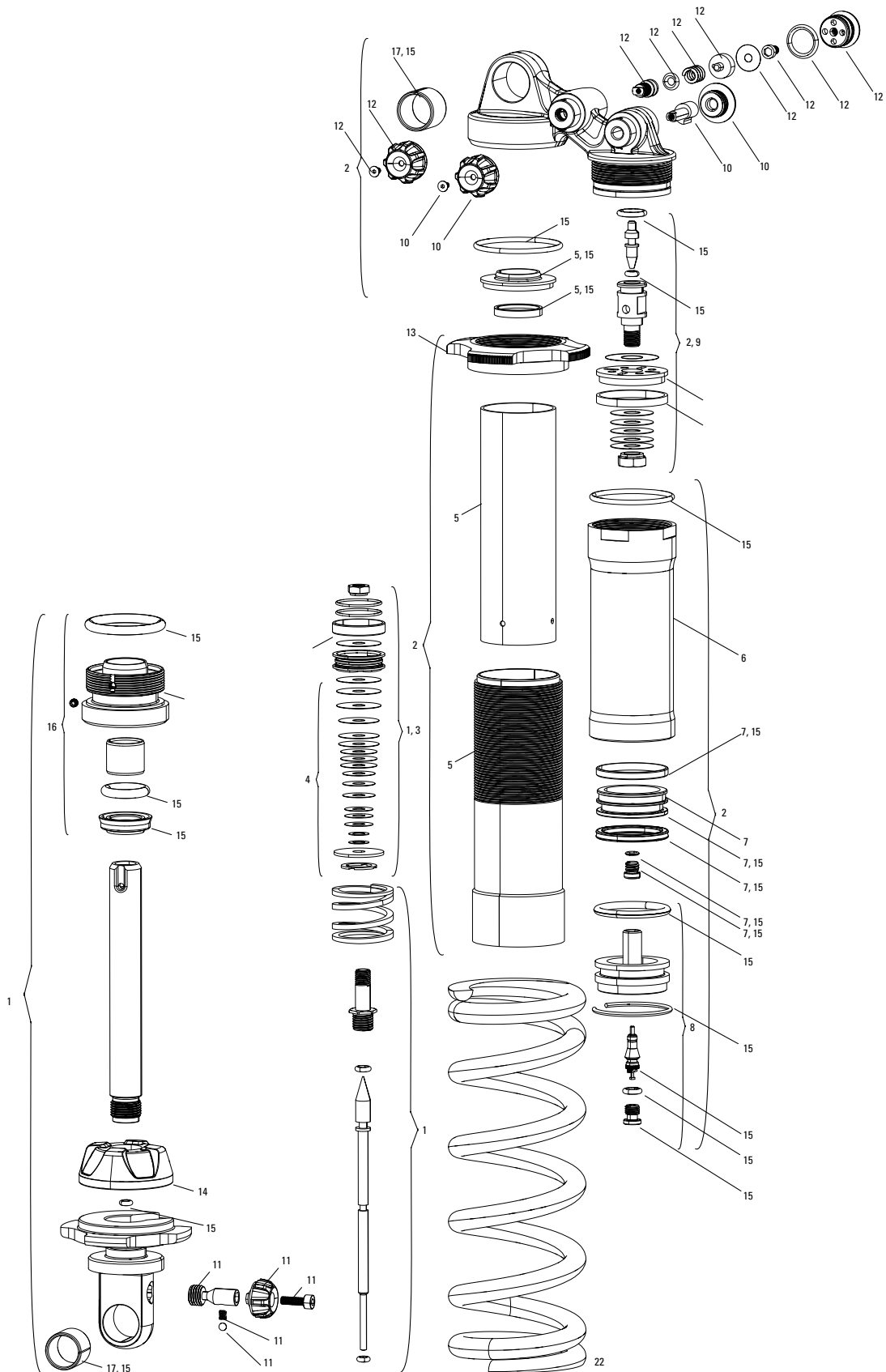


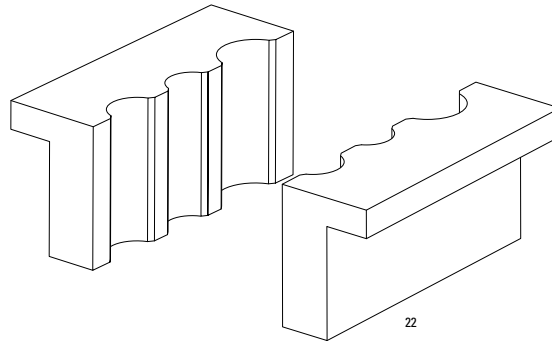
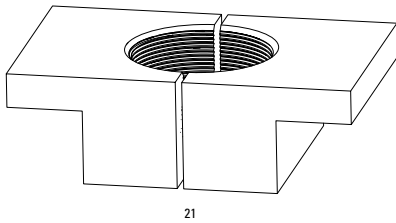
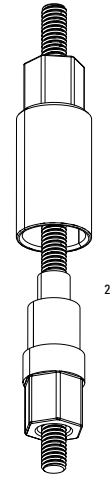
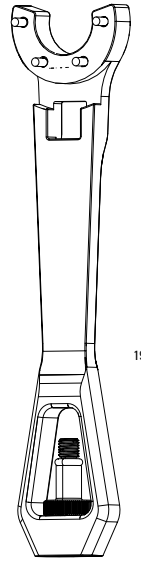
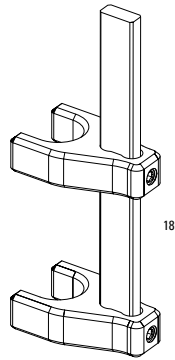
No.	Part Number	Description
ns	11.4315.004.020	RockShox Rear Suspension Damping Fluid 3wt 16oz bottle
ns	11.4315.021.050	RockShox Rear Suspension Damping Fluid 3wt 120ml bottle
ns	00.4315.014.010	Grease, PM600 Military Grease 14oz (for oring seals)
2	11.4115.077.010	Shaft Eyelet/Rebound Adjuster Knob Assembly (Standard) 2011 Vivid R2C
2	11.4115.077.020	Shaft Eyelet/Rebound Adjuster Knob Assembly (203x57) 2011 Vivid R2C
2	11.4115.077.030	Shaft Eyelet/Rebound Adjuster Knob Assembly (229x70) 2011 Vivid R2C
4	11.4115.079.010	Damper Body/Reservoir Assy, 200x57/203x57 (assembled) 2011 Vivid R2C (compatible with 2009-2010)
4	11.4115.079.020	Damper Body/Reservoir Assy, 216x63/222x70/229x70 (assembled) 2011 Vivid R2C (compatible with 2009-2010)
4	11.4115.079.030	Damper Body/Reservoir Assy, 240x76 (assembled) 2011 Vivid R2C (compatible with 2009-2010)
4	11.4115.079.040	Damper Body/Reservoir Assy, 267x89 (assembled) 2011 Vivid R2C (compatible with 2009-2010)
ns	11.4115.079.050	Damper Body/Reservoir Assy, 200x57/203x57 (assembled) 2011 Vivid R2 (compatible with 2009-2010)
ns	11.4115.079.060	Damper Body/Reservoir Assy, 216x63/222x70/229x79 (assembled) 2011 Vivid R2 (compatible with 2009-2010)
ns	11.4115.079.070	Damper Body/Reservoir Assy, 240x76 (assembled) 2011 Vivid R2 (compatible with 2009-2010)
ns	11.4115.079.080	Damper Body/Reservoir Assy, 267x89 (assembled) 2011 Vivid R2 (compatible with 2009-2010)
5	11.4115.080.010	Main Piston Assy, Low, 2011 Vivid R2C
5	11.4115.080.020	Main Piston Assy, Mid, 2011 Vivid R2C
5	11.4115.080.030	Main Piston Assy, High, 2011 Vivid R2C
5	11.4115.080.040	Main Piston Assy, Low, 2011 Vivid R2
5	11.4115.080.050	Main Piston Assy, Mid, 2011 Vivid R2
5	11.4115.080.060	Main Piston Assy, High, 2011 Vivid R2
5	11.4115.080.070	Main Piston Assy, Low, 2011 Vivid Coil R2C (267x89), 2011 Vivid Air R2C
6	11.4115.081.010	Piston Shim Stack, Low, 2011 Vivid R2C
6	11.4115.081.020	Piston Shim Stack, Mid, 2011 Vivid R2C
6	11.4115.081.030	Piston Shim Stack, High, 2011 Vivid R2C
6	11.4115.081.040	Piston Shim Stack, Low, 2011 Vivid R2
6	11.4115.081.050	Piston Shim Stack, Mid, 2011 Vivid R2
6	11.4115.081.060	Piston Shim Stack, High, 2011 Vivid R2
6	11.4115.081.070	Piston Shim Stack, Low, 2011 Vivid R2C (267x89), 2011 Vivid Air R2C
7	11.4115.091.010	Inner Tube/Rings, Shock Body (200mm/203mm) - 2009-2011 Vivid/Vivid Air
7	11.4115.091.020	Inner Tube/Rings, Shock Body (216mm/222mm/229mm) - 2009-2011 Vivid/Vivid Air
7	11.4115.091.030	Inner Tube/Rings, Shock Body (240mm) - 2009-2011 Vivid/Vivid Air
7	11.4115.091.040	Inner Tube/Rings, Shock Body (267mm) - 2010-2011 Vivid
8	11.4115.021.020	Reservoir Can, Qty 1 (200/203/216/222/229/240) 2011 Vivid/Vivid Air
8	11.4115.021.030	Reservoir Can, Qty 1 Long (267mm) 2011 Vivid
9	11.4115.022.000	Reservoir Sealhead Assy (assembled) - 2009-2011 Vivid/Vivid Air
10	11.4115.082.010	Reservoir Internal Floating Piston Assy, 2009-2011 Vivid/Vivid Air
11	11.4115.024.000	Compression Conversion Cover (no compression adjust) - 2009-2011 Vivid/Vivid Air 4.1/R2
12	11.4115.025.000	Compression Adjust Piston Assy (assembled) - 2009-2011 Vivid/Vivid Air 5.1/R2C
13	11.4115.026.000	Compression Adjuster Knob Assy - 2009-2011 Vivid/Vivid Air 5.1/R2C
14	11.4115.027.000	End Stroke Rebound Adjuster Assy - 2009-2010 Vivid 4.1/5.1
15	11.4115.090.010	End Stroke Rebound Adjuster Assy - 2011 Vivid/Vivid Air (not compatible with 2009-2010)
16	11.4115.083.010	Hot Rod Adjuster Needle & O-Ring (200x51, 200x57, 203x57) - 2011 Vivid/Vivid Air
16	11.4115.083.020	Hot Rod Adjuster Needle & O-Ring (216x60, 216x63) - 2011 Vivid/Vivid Air
16	11.4115.083.030	Hot Rod Adjuster Needle & O-Ring (222x70, 229x70) - 2011 Vivid/Vivid Air
16	11.4115.083.040	Hot Rod Adjuster Needle & O-Ring (240x76) - 2011 Vivid/Vivid Air
17	11.4115.028.000	Threaded Spring Collar - Vivid
18	11.4115.029.000	Spring Collar/Retainer Aluminum (200lb-500lb) - Vivid
18	11.4115.061.000	Spring Collar/Retainer Steel HD (550LB+) - Vivid
19	11.4115.030.000	Drop Stop Bumper Set (Soft, Medium, Firm) - Vivid
23	11.4115.051.000	Rebound Adjust Knob Kit - 2009-2010 Vivid (not compatible with 2011)
24	11.4115.085.010	Rebound Adjuster Knob - 2011 Vivid/Vivid Air (not compatible 2009-2010)
25	11.4118.020.000	Service Kit Full -2009-2010 Vivid (includes complete sealhead assembly)
25	11.4118.020.001	Service Kit Full -2011-2012 Vivid (includes complete sealhead assembly)
26	11.4115.013.000	Rear Shock Eyelet Bushing 1/2"X1/2" Qty 2
27	00.4315.028.010	Spanner Wrench/Air Valve/Torx Tool - RockShox Vivid/Vivid Air
28	00.4315.026.010	1/2"x1/2" Rear Shock Bushing Tool (Eyelet/SealHead) RockShox
29	00.4115.154.010	Rear Shock Vise blocks, RockShox Monarch/Vivid/Vivid Air
30	11.4115.054.000	Seal Update Kit, 2009-2010 Vivid (updated seal-head o-ring & IFP quad ring)
ns	11.4318.003.208	Decal Kit Vivid R2 Black
ns	11.4318.003.209	Decal Kit Vivid R2C Black
ns	11.4115.115.010	Decal, Rear Shock, Tune (ML) - 2011 Vivid/Monarch Qty 10
ns	11.4115.115.020	Decal, Rear Shock, Tune (MM) - 2011 Vivid/Monarch Qty 10
ns	11.4115.115.030	Decal, Rear Shock, Tune (MH) - 2011 Vivid/Monarch Qty 10
ns	11.4115.115.040	Decal, Rear Shock, Tune (ML3) - 2011 Vivid/Monarch Qty 10
ns	11.4115.115.050	Decal, Rear Shock, Tune (MH3) - 2011 Vivid/Monarch Qty 10
ns	11.4115.115.060	Decal, Rear Shock, Tune (LL3) - 2011 Vivid/Monarch Qty 10
ns	11.4115.115.070	Decal, Rear Shock, Tune (LL) - 2011 Vivid/Monarch Qty 10
ns	11.4115.115.080	Decal, Rear Shock, Tune (LM) - 2011 Vivid/Monarch Qty 10
ns	11.4115.115.090	Decal, Rear Shock, Tune (LH) - 2011 Vivid/Monarch Qty 10
ns	11.4115.115.100	Decal, Rear Shock, Tune (LH3) - 2011 Vivid/Monarch Qty 10
ns	11.4115.115.110	Decal, Rear Shock, Tune (HL) - 2011 Vivid/Monarch Qty 10
ns	11.4115.115.120	Decal, Rear Shock, Tune (HL3) - 2011 Vivid/Monarch Qty 10
ns	11.4115.115.130	Decal, Rear Shock, Tune (HM) - 2011 Vivid/Monarch Qty 10
ns	11.4115.115.140	Decal, Rear Shock, Tune (HH) - 2011 Vivid/Monarch Qty 10
ns	11.4115.115.150	Decal, Rear Shock, Tune (HH3) - 2011 Vivid/Monarch Qty 10



No. Part Number Description

31	00.4118.026.000	Spring Grey Vivid Kage 300lb 200x51/57
31	00.4118.026.001	Spring Grey Vivid Kage 350lb 200x51/57
31	00.4118.026.002	Spring Grey Vivid Kage 400lb 200x51/57
31	00.4118.026.003	Spring Grey Vivid Kage 450lb 200x51/57
31	00.4118.026.004	Spring Grey Vivid Kage 500lb 200x51/57
31	00.4118.026.005	Spring Grey Vivid Kage 550lb 200x51/57
31	00.4118.026.006	Spring Grey Vivid Kage 600lb 200x51/57
31	00.4118.026.007	Spring Grey Vivid Kage 650lb 200x51/57
31	00.4118.026.008	Spring Grey Vivid Kage 250lb 216/222x70
31	00.4118.026.009	Spring Grey Vivid Kage 300lb 216/222x70
31	00.4118.026.010	Spring Grey Vivid Kage 350lb 216/222x70
31	00.4118.026.011	Spring Grey Vivid Kage 400lb 216/222x70
31	00.4118.026.012	Spring Grey Vivid Kage 450lb 216/222x70
31	00.4118.026.013	Spring Grey Vivid Kage 500lb 216/222x70
31	00.4118.026.014	Spring Grey Vivid Kage 550lb 216/222x70
31	00.4118.026.015	Spring Grey Vivid Kage 600lb 216/222x70
31	00.4118.026.016	Spring Grey Vivid Kage 650lb 216/222x70
31	00.4118.026.017	Spring Grey Vivid Kage 200lb 240x76
31	00.4118.026.018	Spring Grey Vivid Kage 250lb 240x76
31	00.4118.026.019	Spring Grey Vivid Kage 300lb 240x76
31	00.4118.026.020	Spring Grey Vivid Kage 350lb 240x76
31	00.4118.026.021	Spring Grey Vivid Kage 400lb 240x76
31	00.4118.026.022	Spring Grey Vivid Kage 450lb 240x76
31	00.4118.026.023	Spring Grey Vivid Kage 500lb 240x76
31	00.4118.026.024	Spring Grey Vivid Kage 550lb 240x76
31	00.4118.026.025	Spring Grey Vivid Kage 600lb 240x76
31	00.4118.026.026	Spring Grey Vivid Kage 200lb 267x89
31	00.4118.026.027	Spring Grey Vivid Kage 250lb 267x89
31	00.4118.026.028	Spring Grey Vivid Kage 300lb 267x89
31	00.4118.026.029	Spring Grey Vivid Kage 350lb 267x89
31	00.4118.026.030	Spring Grey Vivid Kage 400lb 267x89
31	00.4118.026.031	Spring Grey Vivid Kage 450lb 267x89
31	00.4118.026.032	Spring Grey Vivid Kage 500lb 267x89
31	00.4118.026.033	Spring Grey Vivid Kage 550lb 267x89





Note:

1. Not all service parts may be visible in exploded views. Vivid Service Kit includes all o-rings, seals, glide rings, ball bearings, and detent springs.
2. Please note all model year identification in kit descriptions for compatibility.
3. Eyelet/Shaft/Sealhead assembly (item 1) does not include spring retainer.
4. Use appropriate aluminum spring collar/retainer (item 15) with spring rates 250lb - 500 lb. Use appropriate Steel spring collar/retainer (item 15) with spring rates 550lb - 650lb. See chart for reference.
5. Please refer to the Spring / Collar / Retainer Guide for the correct spring collar/retainer.
6. Refer to RockShox technical manuals for service, oil and lubricant requirements.
7. Use '1/2"x1/2" Rear Shock Bushing/Mount Hardware Tool' to remove and install eyelet bushing and mounting hardware.
8. All Damper Body/Reservoir assemblies are fully assembled. Item 2.
9. All Eyelet/Shaft/Sealhead assemblies are fully assembled. Item 1.

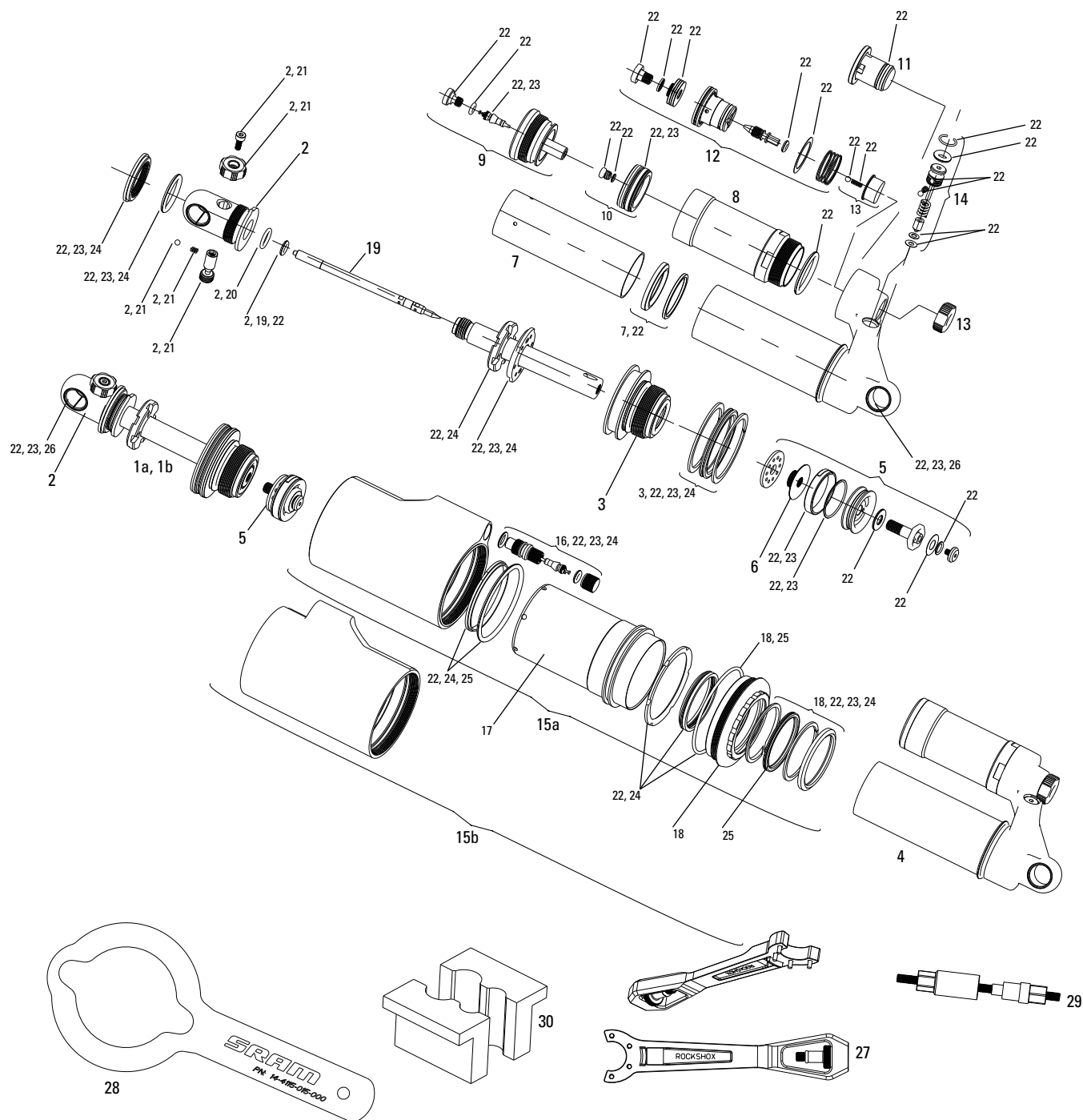
Spring / Collar/Retainer Guide		Shock Stroke					
		51mm	57mm	63mm	70mm	76mm	89mm
		2.0in	2.25in	2.5in	2.75in	3.0in	3.5in
Spring Weight	200lb	n/a	n/a			Aluminum	Aluminum
	250lb						
	300lb						
	350lb	Aluminum	Aluminum			Steel	
	400lb						
	450lb						
	500lb						
	550lb	Steel	Steel		n/a	n/a	
	600lb						
650lb							



No.	Part Number	Description
1	11.4118.021.000	Eyelet/Shaft/Sealhead Assy, B1 Vivid R2C, 90 degree rebound, 200x57 Low
1	11.4118.021.001	Eyelet/Shaft/Sealhead Assy, B1 Vivid R2C, 90 degree rebound, 200x57 Mid
1	11.4118.021.002	Eyelet/Shaft/Sealhead Assy, B1 Vivid R2C, 90 degree rebound, 200x57 High
1	11.4118.021.003	Eyelet/Shaft/Sealhead Assy, B1 Vivid R2C, 90 degree rebound, 216x63 Low
1	11.4118.021.004	Eyelet/Shaft/Sealhead Assy, B1 Vivid R2C, 90 degree rebound, 216x63 Mid
1	11.4118.021.005	Eyelet/Shaft/Sealhead Assy, B1 Vivid R2C, 90 degree rebound, 216x63 High
1	11.4118.021.006	Eyelet/Shaft/Sealhead Assy, B1 Vivid R2C, 90 degree rebound, 222x70 Low
1	11.4118.021.007	Eyelet/Shaft/Sealhead Assy, B1 Vivid R2C, 90 degree rebound, 222x70 Mid
1	11.4118.021.008	Eyelet/Shaft/Sealhead Assy, B1 Vivid R2C, 90 degree rebound, 222x70 High
1	11.4118.021.009	Eyelet/Shaft/Sealhead Assy, B1 Vivid R2C, 90 degree rebound, 240x76 Low
1	11.4118.021.010	Eyelet/Shaft/Sealhead Assy, B1 Vivid R2C, 90 degree rebound, 240x76 Mid
1	11.4118.021.011	Eyelet/Shaft/Sealhead Assy, B1 Vivid R2C, 90 degree rebound, 240x76 High
1	11.4118.021.012	Eyelet/Shaft/Sealhead Assy, B1 Vivid R2C, 90 degree rebound, 267x89 Low
1	11.4118.021.013	Eyelet/Shaft/Sealhead Assy, B1 Vivid R2C, 90 degree rebound, 267x89 Mid
1	11.4118.021.014	Eyelet/Shaft/Sealhead Assy, B1 Vivid R2C, 90 degree rebound, 267x89 High
2	11.4118.022.000	Damper Body/Reservoir Assy, 200x57 (assembled) Vivid R2C B1
2	11.4118.022.001	Damper Body/Reservoir Assy, 216x63 (assembled) Vivid R2C B1
2	11.4118.022.002	Damper Body/Reservoir Assy, 222x70 (assembled) Vivid R2C B1
2	11.4118.022.003	Damper Body/Reservoir Assy, 240x76 (assembled) Vivid R2C B1
2	11.4118.022.004	Damper Body/Reservoir Assy, 267x89 (assembled) Vivid R2C B1
3	11.4118.023.000	Tune Assy, Low, Vivid/Vivid Air R2C B1
3	11.4118.023.001	Tune Assy, Mid, Vivid/Vivid Air R2C B1
3	11.4118.023.002	Tune Assy, High, Vivid/Vivid Air R2C B1
4	11.4118.024.000	Piston Shim Stack, Low, Vivid/Vivid Air R2C B1
4	11.4118.024.001	Piston Shim Stack, Mid, Vivid/Vivid Air R2C B1
4	11.4118.024.002	Piston Shim Stack, High, Vivid/Vivid Air R2C B1
5	11.4118.025.000	Inner Tube/Rings, Shock Body (200mm) - Vivid/Vivid Air B1
5	11.4118.025.001	Inner Tube/Rings, Shock Body (216mm/222mm) - Vivid/Vivid Air B1
5	11.4118.025.002	Inner Tube/Rings, Shock Body (240mm) - Vivid/Vivid Air B1
5	11.4118.025.003	Inner Tube/Rings, Shock Body (267mm) - Vivid B1
6	11.4118.026.000	Reservoir Can, Qty 1 (200/216) Vivid/Vivid Air B1
6	11.4118.026.001	Reservoir Can, Qty 1 (222/240) Vivid/Vivid Air B1
6	11.4118.026.002	Reservoir Can, Qty 1 (267) Vivid/Vivid Air B1
7	11.4115.082.010	Reservoir Internal Floating Piston Assy, Vivid/Vivid Air
8	11.4115.136.000	Reservoir Cap Assy (assembled) - KAGE/Vivid/Vivid Air B1
9	11.4118.027.000	Compression Valve Assy (assembled) - Vivid/Vivid Air B1
10	11.4118.028.000	Beginning Compression Knob Assy - Low speed Vivid/Vivid Air B1
11	11.4118.028.001	Beginning Rebound Knob Assy - Low speed Vivid/Vivid Air B1
12	11.4118.028.002	Ending Rebound Knob Assy - High speed Vivid/Vivid Air B1
13	11.4118.029.000	Threaded Spring Collar - Vivid B1
14	11.4115.150.000	Bottom Out Bumper Kage
15	11.4118.032.000	Service Kit Full - Vivid B1 (Requires Counter Measure tool)
16	11.4118.031.000	Sealhead Assy Shock Body (assembled) VIVID B1
17	11.4115.013.000	Rear Shock Eyelet Bushing 1/2"X1/2" Qty 2
18	00.4118.045.001	Spring Compressor Tool, Counter Measure - RockShox Vivid/Vivid Air
19	00.4315.028.010	Spanner Wrench/Air Valve/Torx Tool - RockShox Vivid/Vivid Air
20	00.4315.026.010	1/2" x1/2" Rear Shock Bushing Tool (Eyelet/SealHead) RockShox
21	00.4115.185.000	Rear Shock Body Vise blocks, RockShox Kage/Vivid
22	00.4115.154.010	Rear Shock Vise blocks, RockShox Monarch/Vivid/Vivid Air
ns	11.4318.003.231	Decal Kit Vivid RC2 200/216/222 Black Can B1
ns	11.4318.003.232	DECAL Kit Vivid RC2 240/267 Black Can B1
ns	11.4115.115.010	Decal, Rear Shock, Tune (ML) - 2011 Vivid/Monarch Qty 10
ns	11.4115.115.020	Decal, Rear Shock, Tune (MM) - 2011 Vivid/Monarch Qty 10
ns	11.4115.115.030	Decal, Rear Shock, Tune (MH) - 2011 Vivid/Monarch Qty 10
ns	11.4115.115.040	Decal, Rear Shock, Tune (ML3) - 2011 Vivid/Monarch Qty 10
ns	11.4115.115.050	Decal, Rear Shock, Tune (MH3) - 2011 Vivid/Monarch Qty 10
ns	11.4115.115.060	Decal, Rear Shock, Tune (LL3) - 2011 Vivid/Monarch Qty 10
ns	11.4115.115.070	Decal, Rear Shock, Tune (LL) - 2011 Vivid/Monarch Qty 10
ns	11.4115.115.080	Decal, Rear Shock, Tune (LM) - 2011 Vivid/Monarch Qty 10
ns	11.4115.115.090	Decal, Rear Shock, Tune (LH) - 2011 Vivid/Monarch Qty 10
ns	11.4115.115.100	Decal, Rear Shock, Tune (LH3) - 2011 Vivid/Monarch Qty 10
ns	11.4115.115.110	Decal, Rear Shock, Tune (HL) - 2011 Vivid/Monarch Qty 10
ns	11.4115.115.120	Decal, Rear Shock, Tune (HL3) - 2011 Vivid/Monarch Qty 10
ns	11.4115.115.130	Decal, Rear Shock, Tune (HM) - 2011 Vivid/Monarch Qty 10
ns	11.4115.115.140	Decal, Rear Shock, Tune (HH) - 2011 Vivid/Monarch Qty 10
ns	11.4115.115.150	Decal, Rear Shock, Tune (HH3) - 2011 Vivid/Monarch Qty 10



No.	Part Number	Description
22	00.4118.026.000	Spring Grey Vivid Kage 300lb 200x51/57
22	00.4118.026.001	Spring Grey Vivid Kage 350lb 200x51/57
22	00.4118.026.002	Spring Grey Vivid Kage 400lb 200x51/57
22	00.4118.026.003	Spring Grey Vivid Kage 450lb 200x51/57
22	00.4118.026.004	Spring Grey Vivid Kage 500lb 200x51/57
22	00.4118.026.005	Spring Grey Vivid Kage 550lb 200x51/57
22	00.4118.026.006	Spring Grey Vivid Kage 600lb 200x51/57
22	00.4118.026.007	Spring Grey Vivid Kage 650lb 200x51/57
22	00.4118.026.008	Spring Grey Vivid Kage 250lb 216/222x70
22	00.4118.026.009	Spring Grey Vivid Kage 300lb 216/222x70
22	00.4118.026.010	Spring Grey Vivid Kage 350lb 216/222x70
22	00.4118.026.011	Spring Grey Vivid Kage 400lb 216/222x70
22	00.4118.026.012	Spring Grey Vivid Kage 450lb 216/222x70
22	00.4118.026.013	Spring Grey Vivid Kage 500lb 216/222x70
22	00.4118.026.014	Spring Grey Vivid Kage 550lb 216/222x70
22	00.4118.026.015	Spring Grey Vivid Kage 600lb 216/222x70
22	00.4118.026.016	Spring Grey Vivid Kage 650lb 216/222x70
22	00.4118.026.017	Spring Grey Vivid Kage 200lb 240x76
22	00.4118.026.018	Spring Grey Vivid Kage 250lb 240x76
22	00.4118.026.019	Spring Grey Vivid Kage 300lb 240x76
22	00.4118.026.020	Spring Grey Vivid Kage 350lb 240x76
22	00.4118.026.021	Spring Grey Vivid Kage 400lb 240x76
22	00.4118.026.022	Spring Grey Vivid Kage 450lb 240x76
22	00.4118.026.023	Spring Grey Vivid Kage 500lb 240x76
22	00.4118.026.024	Spring Grey Vivid Kage 550lb 240x76
22	00.4118.026.025	Spring Grey Vivid Kage 600lb 240x76
22	00.4118.026.026	Spring Grey Vivid Kage 200lb 267x89
22	00.4118.026.027	Spring Grey Vivid Kage 250lb 267x89
22	00.4118.026.028	Spring Grey Vivid Kage 300lb 267x89
22	00.4118.026.029	Spring Grey Vivid Kage 350lb 267x89
22	00.4118.026.030	Spring Grey Vivid Kage 400lb 267x89
22	00.4118.026.031	Spring Grey Vivid Kage 450lb 267x89
22	00.4118.026.032	Spring Grey Vivid Kage 500lb 267x89
22	00.4118.026.033	Spring Grey Vivid Kage 550lb 267x89
22	00.4118.026.034	Spring Grey Vivid Kage 225lb 267x89
22	00.4118.026.035	Spring Grey Vivid Kage 275lb 267x89
22	00.4118.026.036	Spring Grey Vivid Kage 325lb 267x89



Note:

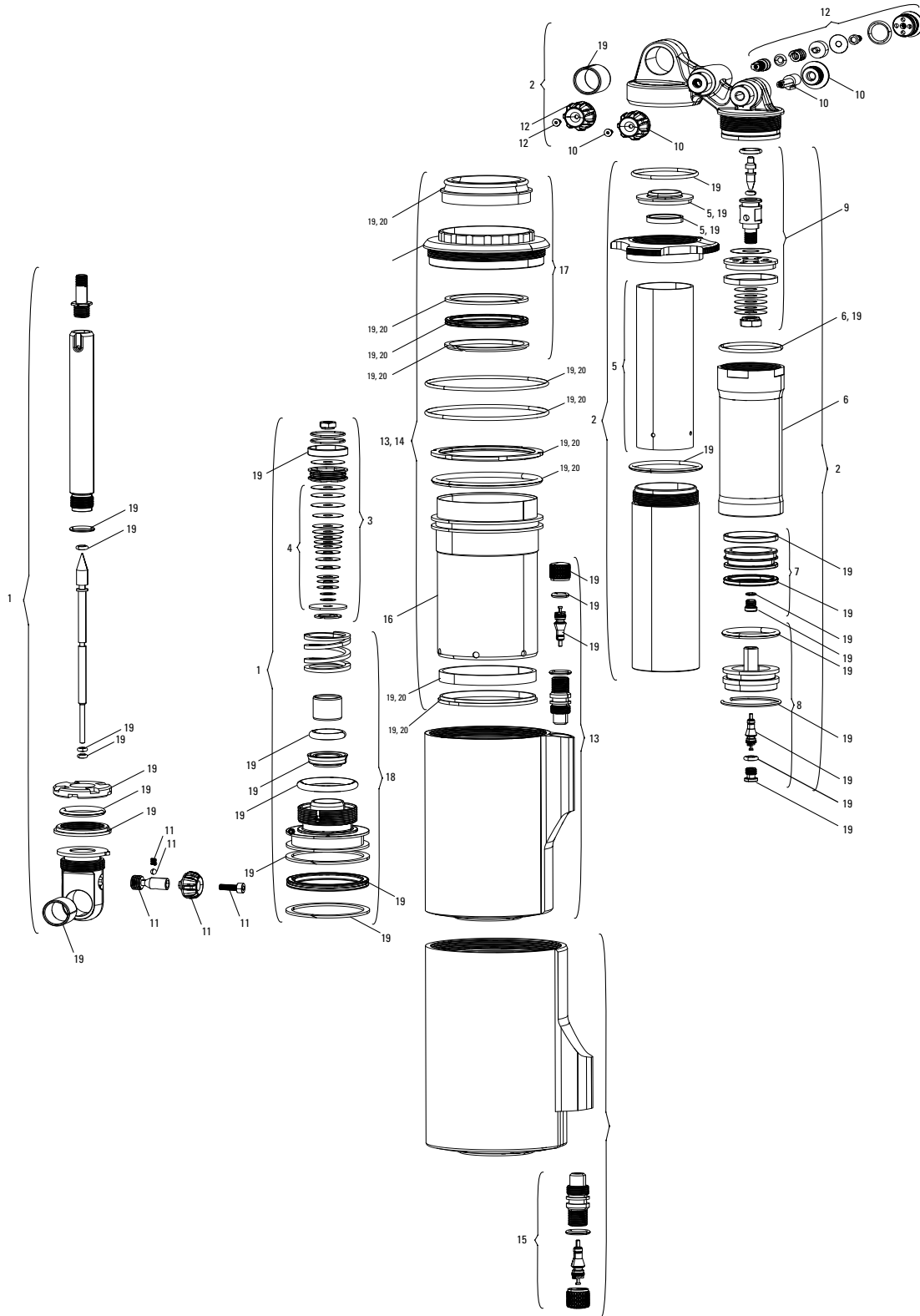
- 1. Not all service parts visible in exploded views. Vivid Air Service Kit includes o-rings, seals, glide rings, ball bearings, and detent springs.
- 2. Air can kits are assembled and included all seals pictured.
- 3. Vivid air can wrench is required for air can removal. Vivid spanner wrench is required for reservoir removal.
- 4. Use '1/2"x1/2" Rear Shock Bushing/Mount Hardware Tool' to remove and install eyelet bushing and mounting hardware.
- 5. Refer to RockShox technical manuals for service, oil and lubricant requirements.



No.	Part Number	Description
1a	11.4115.088.040	Eyelet/Shaft/Sealhead Assy, 2011 Vivid Air R2C, 90 degree rebound, 200x57 Low
1a	11.4115.088.050	Eyelet/Shaft/Sealhead Assy, 2011 Vivid Air R2C, 90 degree rebound, 200x57 Mid
1a	11.4115.088.060	Eyelet/Shaft/Sealhead Assy, 2011 Vivid Air R2C, 90 degree rebound, 200x57 High
1a	11.4115.088.070	Eyelet/Shaft/Sealhead Assy, 2011 Vivid Air R2C, 90 degree rebound, 216x63 Low
1a	11.4115.088.080	Eyelet/Shaft/Sealhead Assy, 2011 Vivid Air R2C, 90 degree rebound, 216x63 Mid
1a	11.4115.088.090	Eyelet/Shaft/Sealhead Assy, 2011 Vivid Air R2C, 90 degree rebound, 216x63 High
1a	11.4115.088.100	Eyelet/Shaft/Sealhead Assy, 2011 Vivid Air R2C, 90 degree rebound, 222x70 Low
1a	11.4115.088.110	Eyelet/Shaft/Sealhead Assy, 2011 Vivid Air R2C, 90 degree rebound, 222x70 Mid
1a	11.4115.088.120	Eyelet/Shaft/Sealhead Assy, 2011 Vivid Air R2C, 90 degree rebound, 222x70 High
1a	11.4115.088.130	Eyelet/Shaft/Sealhead Assy, 2011 Vivid Air R2C, 90 degree rebound, 229x70 Low
1a	11.4115.088.140	Eyelet/Shaft/Sealhead Assy, 2011 Vivid Air R2C, 90 degree rebound, 229x70 Mid
1a	11.4115.088.150	Eyelet/Shaft/Sealhead Assy, 2011 Vivid Air R2C, 90 degree rebound, 229x70 High
1a	11.4115.088.160	Eyelet/Shaft/Sealhead Assy, 2011 Vivid Air R2C, 90 degree rebound, 240x76 Low
1a	11.4115.088.170	Eyelet/Shaft/Sealhead Assy, 2011 Vivid Air R2C, 90 degree rebound, 240x76 Mid
1a	11.4115.088.180	Eyelet/Shaft/Sealhead Assy, 2011 Vivid Air R2C, 90 degree rebound, 240x76 High
1b	11.4115.088.220	Eyelet/Shaft/Sealhead Assy, 2011 Vivid Air R2, 90 degree rebound, 200x57 Low
1b	11.4115.088.230	Eyelet/Shaft/Sealhead Assy, 2011 Vivid Air R2, 90 degree rebound, 200x57 Mid
1b	11.4115.088.240	Eyelet/Shaft/Sealhead Assy, 2011 Vivid Air R2, 90 degree rebound, 200x57 High
1b	11.4115.088.250	Eyelet/Shaft/Sealhead Assy, 2011 Vivid Air R2, 90 degree rebound, 216x63 Low
1b	11.4115.088.260	Eyelet/Shaft/Sealhead Assy, 2011 Vivid Air R2, 90 degree rebound, 216x63 Mid
1b	11.4115.088.270	Eyelet/Shaft/Sealhead Assy, 2011 Vivid Air R2, 90 degree rebound, 216x63 High
1b	11.4115.088.280	Eyelet/Shaft/Sealhead Assy, 2011 Vivid Air R2, 90 degree rebound, 222x70 Low
1b	11.4115.088.290	Eyelet/Shaft/Sealhead Assy, 2011 Vivid Air R2, 90 degree rebound, 222x70 Mid
1b	11.4115.088.300	Eyelet/Shaft/Sealhead Assy, 2011 Vivid Air R2, 90 degree rebound, 222x70 High
1b	11.4115.088.310	Eyelet/Shaft/Sealhead Assy, 2011 Vivid Air R2, 90 degree rebound, 229x70 Low
1b	11.4115.088.320	Eyelet/Shaft/Sealhead Assy, 2011 Vivid Air R2, 90 degree rebound, 229x70 Mid
1b	11.4115.088.330	Eyelet/Shaft/Sealhead Assy, 2011 Vivid Air R2, 90 degree rebound, 229x70 High
1b	11.4115.088.340	Eyelet/Shaft/Sealhead Assy, 2011 Vivid Air R2, 90 degree rebound, 240x76 Low
1b	11.4115.088.350	Eyelet/Shaft/Sealhead Assy, 2011 Vivid Air R2, 90 degree rebound, 240x76 Mid
1b	11.4115.088.360	Eyelet/Shaft/Sealhead Assy, 2011 Vivid Air R2, 90 degree rebound, 240x76 High
2	11.4115.089.010	Shaft Eyelet/Rebound Adjust Knob Assembly (Standard) 2011 Vivid Air
2	11.4115.089.020	Shaft Eyelet/Rebound Adjust Knob Assembly (203x57) 2011 Vivid Air
2	11.4115.089.030	Shaft Eyelet/Rebound Adjust Knob Assembly (229x70) 2011 Vivid Air
4	11.4115.079.090	Damper Body/Reservoir Assy, 200x57/203x57 (assembled) 2011 Vivid Air R2C
4	11.4115.079.100	Damper Body/Reservoir Assy, 222x70/229x70 (assembled) 2011 Vivid Air R2C
4	11.4115.079.110	Damper Body/Reservoir Assy, 240x76 (assembled) 2011 Vivid Air R2C
4	11.4115.079.130	Damper Body/Reservoir Assy, 216x63 (assembled) 2011 Vivid Air R2C
4	11.4115.079.140	Damper Body/Reservoir Assy, 200x57/203x57 (assembled) 2011 Vivid Air R2
4	11.4115.079.150	Damper Body/Reservoir Assy, 222x70/229x70 (assembled) 2011 Vivid Air R2
4	11.4115.079.160	Damper Body/Reservoir Assy, 240x76 (assembled) 2011 Vivid Air R2
4	11.4115.079.180	Damper Body/Reservoir Assy, 216x63 (assembled) 2011 Vivid Air R2
5	11.4115.080.070	Main Piston Assy, Low, 2011 Vivid Coil R2C (267x89), 2011 Vivid Air R2C
5	11.4115.080.080	Main Piston Assy, Mid, 2011 Vivid Air R2C
5	11.4115.080.090	Main Piston Assy, High, 2011 Vivid Air R2C
5	11.4115.080.100	Main Piston Assy, Low, 2011 Vivid Air R2
5	11.4115.080.110	Main Piston Assy, Mid, 2011 Vivid Air R2
5	11.4115.080.120	Main Piston Assy, High, 2011 Vivid Air R2
6	11.4115.081.070	Piston Shim Stack, Low, 2011 Vivid R2C (267x89), 2011 Vivid Air R2C
6	11.4115.081.080	Piston Shim Stack, Mid, 2011 Vivid Air R2C
6	11.4115.081.090	Piston Shim Stack, High, 2011 Vivid Air R2C
6	11.4115.081.100	Piston Shim Stack, Low, 2011 Vivid Air R2
6	11.4115.081.110	Piston Shim Stack, Mid, 2011 Vivid Air R2
6	11.4115.081.120	Piston Shim Stack, High, 2011 Vivid Air R2
7	11.4115.091.010	Inner Tube/Rings, Shock Body (200mm/203mm) - 2009-2011 Vivid/Vivid Air
7	11.4115.091.020	Inner Tube/Rings, Shock Body (216mm/222mm/229mm) - 2009-2011 Vivid/Vivid Air
7	11.4115.091.030	Inner Tube/Rings, Shock Body (240mm) - 2009-2011 Vivid/Vivid Air

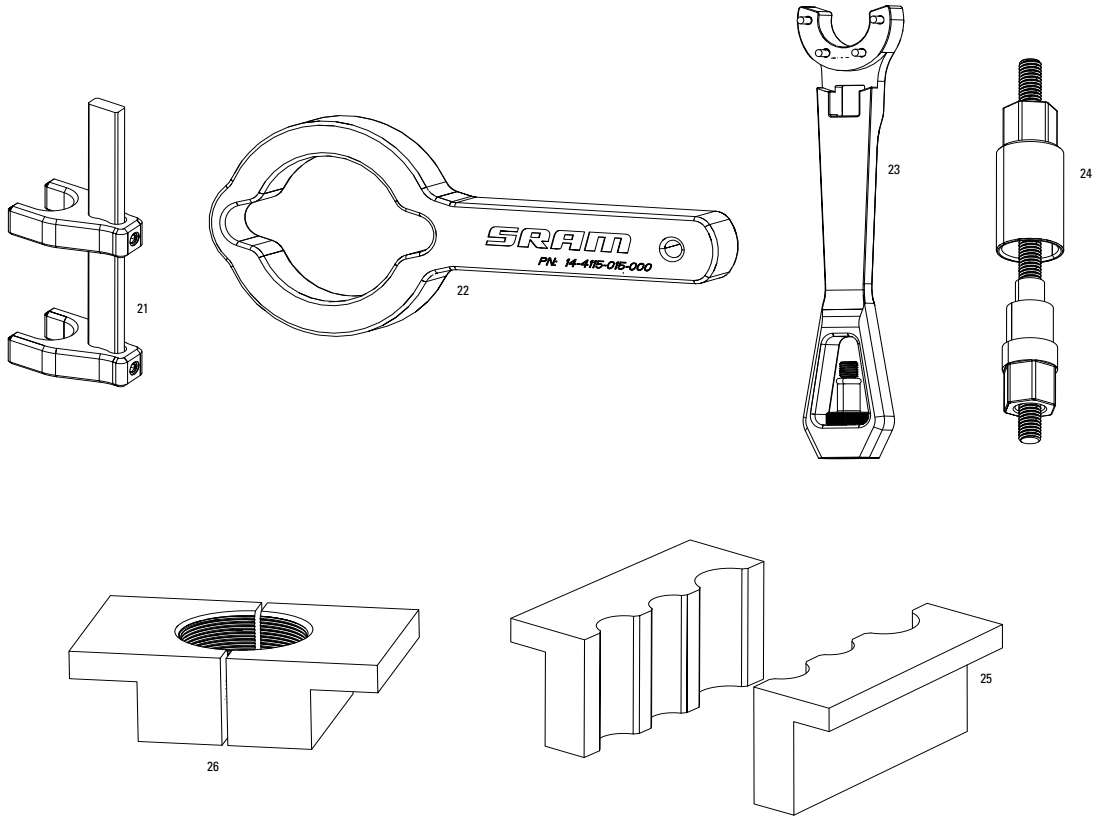


No.	Part Number	Description
8	11.4115.021.020	Reservoir Can, Qty 1 (200/203/216/222/229/240) 2011 Vivid/Vivid Air
9	11.4115.022.000	Reservoir Sealhead Assy (assembled) - 2009-2011 Vivid/Vivid Air
10	11.4115.082.010	Reservoir Internal Floating Piston Assy, 2009-2011 Vivid/Vivid Air
11	11.4115.024.000	Compression Conversion Cover (no compression adjust) - 2009-2011 Vivid/Vivid Air 4.1/R2
12	11.4115.025.000	Compression Adjust Piston Assy (assembled) - 2009-2011 Vivid/Vivid Air 5.1 /R2C
13	11.4115.026.000	Compression Adjuster Knob Assy - 2009-2011 Vivid/Vivid Air 5.1 /R2C
13	11.4118.014.000	Compression Adjuster Knob/Valve Assy - 2013 Vivid Air R2CS
14	11.4115.090.010	End Stroke Rebound Adjuster Assy - 2011 Vivid/Vivid Air (not compatible with 2009-2010)
15a	11.4115.099.010	Air Can Assembly Standard, 200x51/200x57 - 2011 Vivid Air
15a	11.4115.099.020	Air Can Assembly Standard, 216x60/216x63 - 2011 Vivid Air
15a	11.4115.099.030	Air Can Assembly Standard, 222x70/229x70 - 2011 Vivid Air
15a	11.4115.099.040	Air Can Assembly Standard, 240x76 - 2011 Vivid Air
15b	11.4115.099.050	Air Can Assembly Optional, 200x51/200x57 - 2011 Vivid Air
15b	11.4115.099.060	Air Can Assembly Optional, 216x60/216x63 - 2011 Vivid Air
15b	11.4115.099.070	Air Can Assembly Optional, 222x70/229x70 - 2011 Vivid Air
15b	11.4115.099.080	Air Can Assembly Optional, 240x76 - 2011 Vivid Air
16	11.4115.101.010	Schrader Valve Assembly (Air Can) - 2011 Vivid Air
17	11.4115.102.010	Sleeve Kit, Air Can, 200x51/200x57 - 2011 Vivid Air
17	11.4115.102.020	Sleeve Kit, Air Can, 216x60/216x63 - 2011 Vivid Air
17	11.4115.102.030	Sleeve Kit, Air Can, 222x70/229x70 - 2011 Vivid Air
17	11.4115.102.040	Sleeve Kit, Air Can, 240x76 - 2011 Vivid Air
18	11.4115.103.010	Collar Kit, Air Can - 2011 Vivid Air
19	11.4115.083.010	Hot Rod Adjuster Needle & O-Ring (200x51, 200x57, 203x57) - 2011 Vivid/Vivid Air
19	11.4115.083.020	Hot Rod Adjuster Needle & O-Ring (216x60, 216x63) - 2011 Vivid/Vivid Air
19	11.4115.083.030	Hot Rod Adjuster Needle & O-Ring (222x70, 229x70) - 2011 Vivid/Vivid Air
19	11.4115.083.040	Hot Rod Adjuster Needle & O-Ring (240x76) - 2011 Vivid/Vivid Air
21	11.4115.085.010	Rebound Adjuster Knob - 2011 Vivid/Vivid Air (not compatible 2009-2010)
22	11.4115.092.010	Service Kit Full - 2011 Vivid Air
23	11.4115.100.010	Service Kit Basic - 2011 Vivid Air
24	11.4115.093.010	Service Kit, Air Can - 2011 Vivid Air
25	00.4315.032.220	AM Rear Shock Service Kit, Basic (includes air can seals only) - Vivid Air (2012-2013)
26	11.4115.013.000	Rear Shock Eyelet Bushing 1/2"X1/2" Qty 2
27	00.4315.028.010	Spanner Wrench/Air Valve/Torx Tool - RockShox Vivid/Vivid Air
28	00.4315.029.010	Wrench, Air Can - RockShox Vivid Air
29	00.4315.026.010	1/2"x1/2" Rear Shock Bushing Tool (Eyelet/SealHead) RockShox
30	00.4115.154.010	Rear Shock Vise blocks, RockShox Monarch/Vivid/Vivid Air
ns	00.4315.023.010	High-Pressure Fork/Shock Pump (300 psi Max) RockShox
ns	00.4315.023.030	High-Pressure Fork/Shock Pump (600 psi Max) RockShox
ns	00.4315.022.010	Schrader Valve Removal Tool Rockshox
ns	11.4115.094.010	Lubricant, Rear Shock Air Can, Maxima 15W 50, 1 Liter Bottle
ns	11.4115.094.020	Lubricant, Rear Shock Seals, Parker O-Lube, 2g tube
ns	11.4315.004.020	RockShox Rear Suspension Damping Fluid 3wrt 16oz bottle
ns	11.4315.021.050	RockShox Rear Suspension Damping Fluid 3wrt 120ml bottle
ns	11.4318.003.210	Decal Kit Vivid Air R2C 200X57 Grey/Black
ns	11.4318.003.211	Decal Kit Vivid Air R2C 200X57 White/Black
ns	11.4318.003.212	Decal Kit Vivid Air R2C 216X63 Grey/Black
ns	11.4318.003.213	Decal Kit Vivid Air R2C 216X63 White/Black
ns	11.4318.003.214	Decal Kit Vivid Air R2C 222X70 Grey/Black
ns	11.4318.003.215	Decal Kit Vivid Air R2C 222X70 White/Black
ns	11.4318.003.216	Decal Kit Vivid Air R2C 240X76 Grey/Black
ns	11.4318.003.217	Decal Kit Vivid Air R2C 240X76 White/Black
ns	11.4318.003.218	Decal Kit Vivid Air R2 200X57 Grey/Black
ns	11.4318.003.219	Decal Kit Vivid Air R2 200X57 White/Black
ns	11.4318.003.220	Decal Kit Vivid Air R2 216X63 White/Black
ns	11.4318.003.221	Decal Kit Vivid Air R2 222X70 Grey/Black
ns	11.4318.003.222	Decal Kit Vivid Air R2 222X70 White/Black
ns	11.4318.003.223	Decal Kit Vivid Air R2 229X70 Grey/Black
ns	11.4318.003.224	Decal Kit Vivid Air R2 229X70 White/Black
ns	11.4318.003.225	Decal Kit Vivid Air R2 240X76 Grey/Black
ns	11.4318.003.226	Decal Kit Vivid Air R2 240X76 White/Black
ns	11.4115.115.010	Decal, Rear Shock, Tune (ML) - 2011 Vivid/Monarch Qty 10
ns	11.4115.115.020	Decal, Rear Shock, Tune (MM) - 2011 Vivid/Monarch Qty 10
ns	11.4115.115.030	Decal, Rear Shock, Tune (MH) - 2011 Vivid/Monarch Qty 10
ns	11.4115.115.040	Decal, Rear Shock, Tune (ML3) - 2011 Vivid/Monarch Qty 10
ns	11.4115.115.050	Decal, Rear Shock, Tune (MH3) - 2011 Vivid/Monarch Qty 10
ns	11.4115.115.060	Decal, Rear Shock, Tune (LL3) - 2011 Vivid/Monarch Qty 10
ns	11.4115.115.070	Decal, Rear Shock, Tune (LL) - 2011 Vivid/Monarch Qty 10
ns	11.4115.115.080	Decal, Rear Shock, Tune (LM) - 2011 Vivid/Monarch Qty 10
ns	11.4115.115.090	Decal, Rear Shock, Tune (LH) - 2011 Vivid/Monarch Qty 10
ns	11.4115.115.100	Decal, Rear Shock, Tune (LH3) - 2011 Vivid/Monarch Qty 10
ns	11.4115.115.110	Decal, Rear Shock, Tune (HL) - 2011 Vivid/Monarch Qty 10
ns	11.4115.115.120	Decal, Rear Shock, Tune (HL3) - 2011 Vivid/Monarch Qty 10
ns	11.4115.115.130	Decal, Rear Shock, Tune (HM) - 2011 Vivid/Monarch Qty 10
ns	11.4115.115.140	Decal, Rear Shock, Tune (HH) - 2011 Vivid/Monarch Qty 10
ns	11.4115.115.150	Decal, Rear Shock, Tune (HH3) - 2011 Vivid/Monarch Qty 10



Note:

1. Not all service parts visible in exploded views. Vivid Air Service Kit includes o-rings, seals, glide rings, ball bearings, and detent springs.
2. Air can kits are assembled and included all seals pictured.
3. Vivid air can wrench is required for air can removal. Vivid spanner wrench is required for reservoir removal.
4. Use '1/2"x1/2" Rear Shock Bushing/Mount Hardware Tool' to remove and install eyelet bushing and mounting hardware.
5. Refer to RockShox technical manuals for service, oil and lubricant requirements.
6. All Damper Body/Reservoir assemblies are fully assembled. Item 2.
7. All Eyelet/Shaft/Sealhead assemblies are fully assembled. Item 1.
8. All Eyelet/Shaft/Sealhead assemblies are fully assembled. Item 1.
9. All Eyelet/Shaft/Sealhead assemblies are fully assembled. Item 1.
10. All Air Can assemblies are fully assembled. Item 3



Note:

1. Not all service parts visible in exploded views. Vivid Air Service Kit includes o-rings, seals, glide rings, ball bearings, and detent springs.
2. Air can kits are assembled and included all seals pictured.
3. Vivid air can wrench is required for air can removal. Vivid spanner wrench is required for reservoir removal.
4. Use '1/2"x1/2" Rear Shock Bushing/Mount Hardware Tool' to remove and install eyelet bushing and mounting hardware.
5. Refer to RockShox technical manuals for service, oil and lubricant requirements.
8. All Damper Body/Reservoir assemblies are fully assembled. Item 2.
9. All Eyelet/Shaft/Sealhead assemblies are fully assembled. Item 1.
10. All Air Can assemblies are fully assembled. Item 3



No.	Part Number	Description
1	11.4118.021.015	Eyelet/Shaft/Sealhead Assy, B1 Vivid Air R2C, 90 degree rebound, 200x57 Low
1	11.4118.021.016	Eyelet/Shaft/Sealhead Assy, B1 Vivid Air R2C, 90 degree rebound, 200x57 Mid
1	11.4118.021.017	Eyelet/Shaft/Sealhead Assy, B1 Vivid Air R2C, 90 degree rebound, 200x57 High
1	11.4118.021.018	Eyelet/Shaft/Sealhead Assy, B1 Vivid Air R2C, 90 degree rebound, 216x63 Low
1	11.4118.021.019	Eyelet/Shaft/Sealhead Assy, B1 Vivid Air R2C, 90 degree rebound, 216x63 Mid
1	11.4118.021.020	Eyelet/Shaft/Sealhead Assy, B1 Vivid Air R2C, 90 degree rebound, 216x63 High
1	11.4118.021.021	Eyelet/Shaft/Sealhead Assy, B1 Vivid Air R2C, 90 degree rebound, 222x70 Low
1	11.4118.021.022	Eyelet/Shaft/Sealhead Assy, B1 Vivid Air R2C, 90 degree rebound, 222x70 Mid
1	11.4118.021.023	Eyelet/Shaft/Sealhead Assy, B1 Vivid Air R2C, 90 degree rebound, 222x70 High
1	11.4118.021.024	Eyelet/Shaft/Sealhead Assy, B1 Vivid Air R2C, 90 degree rebound, 240x76 Low
1	11.4118.021.025	Eyelet/Shaft/Sealhead Assy, B1 Vivid Air R2C, 90 degree rebound, 240x76 Mid
1	11.4118.021.026	Eyelet/Shaft/Sealhead Assy, B1 Vivid Air R2C, 90 degree rebound, 240x76 High
2	11.4118.022.005	Damper Body/Reservoir Assy, 200x57 (assembled) Vivid Air R2C B1
2	11.4118.022.006	Damper Body/Reservoir Assy, 216x63 (assembled) Vivid Air R2C B1
2	11.4118.022.007	Damper Body/Reservoir Assy, 222x70 (assembled) Vivid Air R2C B1
2	11.4118.022.008	Damper Body/Reservoir Assy, 240x76 (assembled) Vivid Air R2C B1
3	11.4118.023.000	Tune Assy, Low, Vivid/Vivid Air R2C B1
3	11.4118.023.001	Tune Assy, Mid, Vivid/Vivid Air R2C B1
3	11.4118.023.002	Tune Assy, High, Vivid/Vivid Air R2C B1
4	11.4118.024.000	Piston Shim Stack, Low, Vivid/Vivid Air R2C B1
4	11.4118.024.001	Piston Shim Stack, Mid, Vivid/Vivid Air R2C B1
4	11.4118.024.002	Piston Shim Stack, High, Vivid/Vivid Air R2C B1
5	11.4118.025.000	Inner Tube/Rings, Shock Body (200mm) - Vivid/Vivid Air B1
5	11.4118.025.001	Inner Tube/Rings, Shock Body (216mm/222mm) - Vivid/Vivid Air B1
5	11.4118.025.002	Inner Tube/Rings, Shock Body (240mm) - Vivid/Vivid Air B1
5	11.4118.025.003	Inner Tube/Rings, Shock Body (267mm) - Vivid B1
6	11.4118.026.000	Reservoir Can, Qty 1 (200/216) Vivid/Vivid Air B1
6	11.4118.026.001	Reservoir Can, Qty 1 (222/240) Vivid/Vivid Air B1
6	11.4118.026.002	Reservoir Can, Qty 1 (267) Vivid/Vivid Air B1
7	11.4115.082.010	Reservoir Internal Floating Piston Assy, Vivid/Vivid Air
8	11.4115.136.000	Reservoir Cap Assy (assembled) - KAGE/(Vivid/Vivid Air B1)
9	11.4118.027.000	Compression Valve Assy (assembled) - Vivid/Vivid Air B1
10	11.4118.028.000	Beginning Compression Knob Assy - Low speed Vivid/Vivid Air B1
11	11.4118.028.001	Beginning Rebound Knob Assy - Low speed Vivid/Vivid Air B1
12	11.4118.028.002	Ending Rebound Knob Assy - High speed Vivid/Vivid Air B1
13	11.4118.033.000	Air Can Assembly Vivid Air Standard Valve Placement, 200x57 - B1
13	11.4118.033.001	Air Can Assembly Vivid Air Standard Valve Placement, 216x63 - B1
13	11.4118.033.002	Air Can Assembly Vivid Air Standard Valve Placement, 222x70 - B1
13	11.4118.033.003	Air Can Assembly Vivid Air Standard Valve Placement, 240x76 - B1
14	11.4118.033.004	Air Can Assembly Vivid Air Optional Valve Placement, 200x57 - B1
14	11.4118.033.005	Air Can Assembly Vivid Air Optional Valve Placement, 216x63 - B1
14	11.4118.033.006	Air Can Assembly Vivid Air Optional Valve Placement, 222x70 - B1
14	11.4118.033.007	Air Can Assembly Vivid Air Optional Valve Placement, 240x76 - B1
15	11.4115.101.010	Schrader Valve Assembly (Air Can) - Vivid Air 2011-2014(B1)
16	11.4115.102.010	Sleeve Kit, Air Can, 200x51/200x57 - Vivid Air 2011-2014(B1)
16	11.4115.102.020	Sleeve Kit, Air Can, 216x60/216x63 - Vivid Air 2011-2014(B1)
16	11.4115.102.030	Sleeve Kit, Air Can, 222x70/229x70 - Vivid Air 2011-2014(B1)
16	11.4115.102.040	Sleeve Kit, Air Can, 240x76 - Vivid Air 2011-2014(B1)
17	11.4118.030.000	Collar Kit, Air Can - Vivid Air B1
18	11.4118.031.001	Sealhead Assy Shock Body (assembled) Vivid Air B1
19	11.4118.032.001	Service Kit Full - Vivid Air B1 (Requires Counter Measure tool)
20	00.4315.032.370	AM Rear Shock Air Can Service Kit, Basic - Vivid Air B1
21	00.4118.045.001	Spring Compressor Tool, Counter Measure - RockShox Vivid/Vivid Air
22	00.4315.029.010	Wrench, Air Can - RockShox Vivid Air
23	00.4315.028.010	Spanner Wrench/Air Valve/Torx Tool - RockShox Vivid/Vivid Air
24	00.4315.026.010	1/2" x 1/2" Rear Shock Bushing Tool (Eyelet/SealHead) RockShox
25	00.4115.154.010	Rear Shock Vise blocks, RockShox Monarch/Vivid/Vivid Air
26	00.4115.185.000	Rear Shock Body Vise blocks, RockShox Kage/Vivid
ns	00.4315.023.010	High-Pressure Fork/Shock Pump (300 psi Max) RockShox
ns	00.4315.023.030	High-Pressure Fork/Shock Pump (600 psi Max) RockShox
ns	00.4315.022.010	Schrader Valve Removal Tool Rockshox
ns	11.4115.094.010	Lubricant, Rear Shock Air Can, Maxima 15W 50, 1 Liter Bottle
ns	11.4115.094.020	Lubricant, Rear Shock Seals, Parker O-Lube, 2g tube
ns	11.4315.004.020	RockShox Rear Suspension Damping Fluid 3wt 16oz bottle
ns	11.4315.021.050	RockShox Rear Suspension Damping Fluid 3wt 120ml bottle
ns	11.4318.003.233	Decal Kit Vivid AIR RC2 200x57 Black Can B1
ns	11.4318.003.234	Decal Kit Vivid AIR RC2 216x63 Black Can B1
ns	11.4318.003.235	Decal Kit Vivid AIR RC2 222x70 Black Can B1
ns	11.4318.003.236	Decal Kit Vivid AIR RC2 240x76 Black B1
ns	11.4115.115.010	Decal, Rear Shock, Tune (ML) - 2011 Vivid/Monarch Qty 10
ns	11.4115.115.020	Decal, Rear Shock, Tune (MM) - 2011 Vivid/Monarch Qty 10
ns	11.4115.115.030	Decal, Rear Shock, Tune (MH) - 2011 Vivid/Monarch Qty 10
ns	11.4115.115.040	Decal, Rear Shock, Tune (ML3) - 2011 Vivid/Monarch Qty 10
ns	11.4115.115.050	Decal, Rear Shock, Tune (MH3) - 2011 Vivid/Monarch Qty 10
ns	11.4115.115.060	Decal, Rear Shock, Tune (LL3) - 2011 Vivid/Monarch Qty 10
ns	11.4115.115.070	Decal, Rear Shock, Tune (LL) - 2011 Vivid/Monarch Qty 10
ns	11.4115.115.080	Decal, Rear Shock, Tune (LM) - 2011 Vivid/Monarch Qty 10
ns	11.4115.115.090	Decal, Rear Shock, Tune (LH) - 2011 Vivid/Monarch Qty 10
ns	11.4115.115.100	Decal, Rear Shock, Tune (LH3) - 2011 Vivid/Monarch Qty 10
ns	11.4115.115.110	Decal, Rear Shock, Tune (HL) - 2011 Vivid/Monarch Qty 10
ns	11.4115.115.120	Decal, Rear Shock, Tune (HL3) - 2011 Vivid/Monarch Qty 10
ns	11.4115.115.130	Decal, Rear Shock, Tune (HM) - 2011 Vivid/Monarch Qty 10
ns	11.4115.115.140	Decal, Rear Shock, Tune (HH) - 2011 Vivid/Monarch Qty 10
ns	11.4115.115.150	Decal, Rear Shock, Tune (HH3) - 2011 Vivid/Monarch Qty 10

MOUNTING HARDWARE - 1/2" x 1/2"

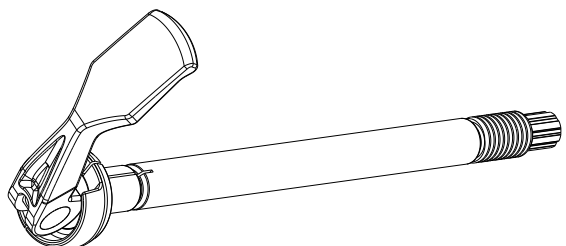


Note:

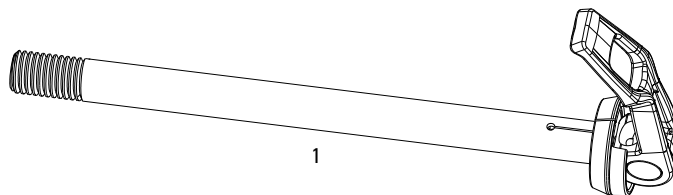
Use with - Ario, Monarch, Monarch Plus, Kage, Vivid, Vivid Air

Part Number	Description
11.4115.013.000	Rear Shock Eyelet Bushing 1/2"x1/2" Qty 2
11.4115.046.000	Rear Shock Mounting Hardware 1/2"x1/2" 12.70X8 Center Pin (06 Specialized Demo 8 shaft eyelet)
11.4115.012.644	Rear Shock Mounting Hardware 1/2"x1/2" 14.0X8 3-piece (1 Set)
11.4115.012.650	Rear Shock Mounting Hardware 1/2"x1/2" 15.7X8 3-piece (1 Set)
11.4115.012.320	Rear Shock Mounting Hardware 1/2"x1/2" 16.0X6 3-piece (1 Set)
11.4115.012.550	Rear Shock Mounting Hardware 1/2"x1/2" 16.0X8 3-piece (1 Set)
11.4115.012.660	Rear Shock Mounting Hardware 1/2"x1/2" 17.4X10 3-piece (1 Set)
11.4115.012.670	Rear Shock Mounting Hardware 1/2"x1/2" 18.0X9.5 3-piece (1 Set)
11.4115.012.730	Rear Shock Mounting Hardware 1/2"x1/2" 19.0X6 3-piece (1 Set)
11.4115.012.560	Rear Shock Mounting Hardware 1/2"x1/2" 19.0X8 3-piece (1 Set)
11.4115.012.330	Rear Shock Mounting Hardware 1/2"x1/2" 21.8X6 3-piece (1 Set)
11.4115.012.000	Rear Shock Mounting Hardware 1/2"x1/2" 21.8X8 3-piece (1 Set)
11.4115.012.580	Rear Shock Mounting Hardware 1/2"x1/2" 22.0X8 3-piece (1 Set)
11.4115.012.600	Rear Shock Mounting Hardware 1/2"x1/2" 22.2X10 3-piece (1 Set)
11.4115.012.340	Rear Shock Mounting Hardware 1/2"x1/2" 22.2X6 3-piece (1 Set)
11.4115.012.010	Rear Shock Mounting Hardware 1/2"x1/2" 22.2X8 3-piece (1 Set)
11.4115.012.500	Rear Shock Mounting Hardware 1/2"x1/2" 22.2X9.5 3-piece (1 Set)
11.4115.012.590	Rear Shock Mounting Hardware 1/2"x1/2" 22.4X10 3-piece (1 Set)
11.4115.012.020	Rear Shock Mounting Hardware 1/2"x1/2" 23.0X8 3-piece (1 Set)
11.4115.012.710	Rear Shock Mounting Hardware 1/2"x1/2" 23.8X8 3-piece (1 Set)
11.4115.012.030	Rear Shock Mounting Hardware 1/2"x1/2" 24.0X8 3-piece (1 Set)
11.4115.012.700	Rear Shock Mounting Hardware 1/2"x1/2" 24.2X8 3-piece (1 Set)
11.4115.012.350	Rear Shock Mounting Hardware 1/2"x1/2" 24.4X6 3-piece (1 Set)
11.4115.012.040	Rear Shock Mounting Hardware 1/2"x1/2" 24.4X8 3-piece (1 Set)
11.4115.012.360	Rear Shock Mounting Hardware 1/2"x1/2" 24.6X6 3-piece (1 Set)
11.4115.012.370	Rear Shock Mounting Hardware 1/2"x1/2" 25.4X6 3-piece (1 Set)
11.4115.012.050	Rear Shock Mounting Hardware 1/2"x1/2" 25.4X8 3-piece (1 Set)
11.4115.012.060	Rear Shock Mounting Hardware 1/2"x1/2" 27.4X8 3-piece (1 Set)
11.4115.012.070	Rear Shock Mounting Hardware 1/2"x1/2" 28.0X8 3-piece (1 Set)
11.4115.012.380	Rear Shock Mounting Hardware 1/2"x1/2" 28.6X6 3-piece (1 Set)
11.4115.012.690	Rear Shock Mounting Hardware 1/2"x1/2" 28.6X8 3-piece (1 Set)
11.4115.012.490	Rear Shock Mounting Hardware 1/2"x1/2" 30.0X10 3-piece (1 Set)
11.4115.012.080	Rear Shock Mounting Hardware 1/2"x1/2" 30.0X8 3-piece (1 Set)
11.4115.012.680	Rear Shock Mounting Hardware 1/2"x1/2" 30.8X8 3-piece (1 Set)
11.4115.012.390	Rear Shock Mounting Hardware 1/2"x1/2" 31.75X6 3-piece (1 Set)
11.4115.012.090	Rear Shock Mounting Hardware 1/2"x1/2" 31.75X8 3-piece (1 Set)
11.4115.012.570	Rear Shock Mounting Hardware 1/2"x1/2" 32.0X8 3-piece (1 Set)
11.4115.012.100	Rear Shock Mounting Hardware 1/2"x1/2" 32.4X8 3-piece (1 Set)
11.4115.012.400	Rear Shock Mounting Hardware 1/2"x1/2" 33.0X6 3-piece (1 Set)
11.4115.012.110	Rear Shock Mounting Hardware 1/2"x1/2" 33.0X8 3-piece (1 Set)
11.4115.012.630	Rear Shock Mounting Hardware 1/2"x1/2" 33.5X10 3-piece (1 Set)
11.4115.012.540	Rear Shock Mounting Hardware 1/2"x1/2" 33.6X8 3-piece (1 Set)
11.4115.012.410	Rear Shock Mounting Hardware 1/2"x1/2" 34.0X6 3-piece (1 Set)
11.4115.012.120	Rear Shock Mounting Hardware 1/2"x1/2" 34.0X8 3-piece (1 Set)
11.4115.012.420	Rear Shock Mounting Hardware 1/2"x1/2" 35.0X6 3-piece (1 Set)
11.4115.012.130	Rear Shock Mounting Hardware 1/2"x1/2" 35.0X8 3-piece (1 Set)
11.4115.012.430	Rear Shock Mounting Hardware 1/2"x1/2" 36.0X6 3-piece (1 Set)
11.4115.012.140	Rear Shock Mounting Hardware 1/2"x1/2" 36.0X8 3-piece (1 Set)
11.4115.012.150	Rear Shock Mounting Hardware 1/2"x1/2" 37.4X8 3-piece (1 Set)
11.4115.012.160	Rear Shock Mounting Hardware 1/2"x1/2" 37.6X8 3-piece (1 Set)
11.4115.012.170	Rear Shock Mounting Hardware 1/2"x1/2" 38.0X8 3-piece (1 Set)
11.4115.012.620	Rear Shock Mounting Hardware 1/2"x1/2" 40.0X10 3-piece (1 Set)
11.4115.012.440	Rear Shock Mounting Hardware 1/2"x1/2" 40.0X6 3-piece (1 Set)
11.4115.012.180	Rear Shock Mounting Hardware 1/2"x1/2" 40.0X8 3-piece (1 Set)
11.4115.012.450	Rear Shock Mounting Hardware 1/2"x1/2" 41.0X6 3-piece (1 Set)
11.4115.012.190	Rear Shock Mounting Hardware 1/2"x1/2" 41.0X8 3-piece (1 Set)
11.4115.012.200	Rear Shock Mounting Hardware 1/2"x1/2" 41.5X8 3-piece (1 Set)
11.4115.012.460	Rear Shock Mounting Hardware 1/2"x1/2" 42.0X6 3-piece (1 Set)
11.4115.012.210	Rear Shock Mounting Hardware 1/2"x1/2" 42.0X8 3-piece (1 Set)
11.4115.012.720	Rear Shock Mounting Hardware 1/2"x1/2" 42.2X8 3-piece (1 Set)
11.4115.012.220	Rear Shock Mounting Hardware 1/2"x1/2" 44.0X8 3-piece (1 Set)
11.4115.012.230	Rear Shock Mounting Hardware 1/2"x1/2" 44.5X8 3-piece (1 Set)
11.4115.012.470	Rear Shock Mounting Hardware 1/2"x1/2" 45.0X6 3-piece (1 Set)
11.4115.012.240	Rear Shock Mounting Hardware 1/2"x1/2" 45.0X8 3-piece (1 Set)
11.4115.012.250	Rear Shock Mounting Hardware 1/2"x1/2" 46.0X6 3-piece (1 Set)
11.4115.012.260	Rear Shock Mounting Hardware 1/2"x1/2" 47.8X8 3-piece (1 Set)
11.4115.012.480	Rear Shock Mounting Hardware 1/2"x1/2" 50.0X6 3-piece (1 Set)
11.4115.012.270	Rear Shock Mounting Hardware 1/2"x1/2" 50.0X8 3-piece (1 Set)
11.4115.012.280	Rear Shock Mounting Hardware 1/2"x1/2" 51.95X8 3-piece (1 Set)
11.4115.012.290	Rear Shock Mounting Hardware 1/2"x1/2" 54.0X8 3-piece (1 Set)
11.4115.012.300	Rear Shock Mounting Hardware 1/2"x1/2" 55.0X8 3-piece (1 Set)
11.4115.012.310	Rear Shock Mounting Hardware 1/2"x1/2" 56.0X8 3-piece (1 Set)
11.4115.012.510	Rear Shock Mounting Hardware 1/2"x1/2" 57.0X8 3-piece (1 Set)
11.4115.012.520	Rear Shock Mounting Hardware 1/2"x1/2" 58.0X8 3-piece (1 Set)
11.4115.012.530	Rear Shock Mounting Hardware 1/2"x1/2" 60.0X8 3-piece (1 Set)
11.4115.012.610	Rear Shock Mounting Hardware 1/2"x1/2" 61.0X8 3-piece (1 Set)

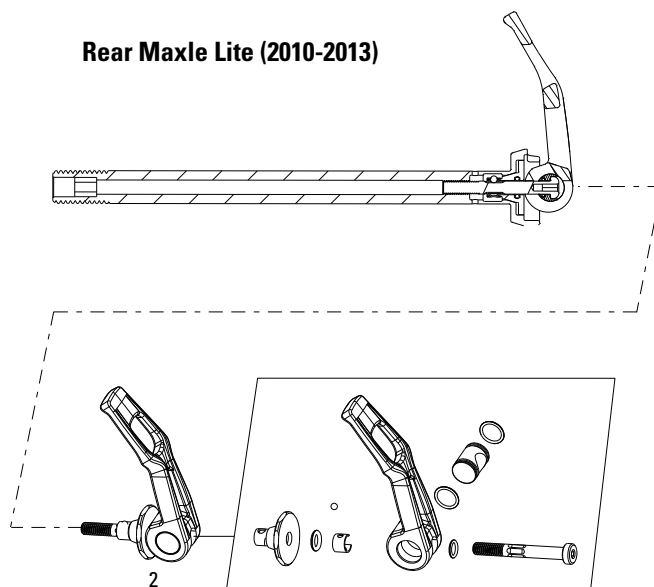
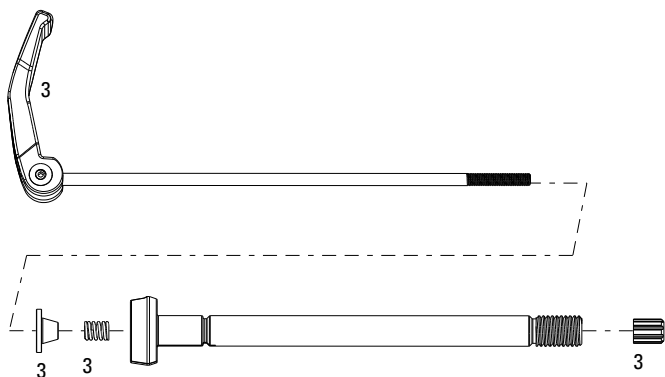
REAR MAXLE



Rear Maxle (2008-2009)



Rear Maxle Lite (2010-2013)

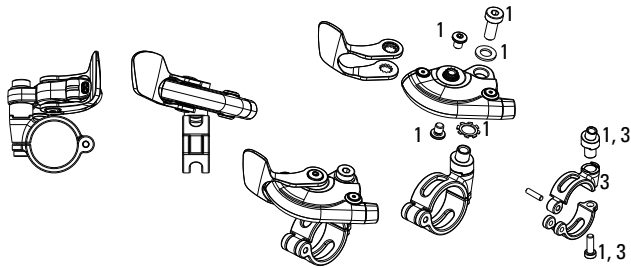


Note:

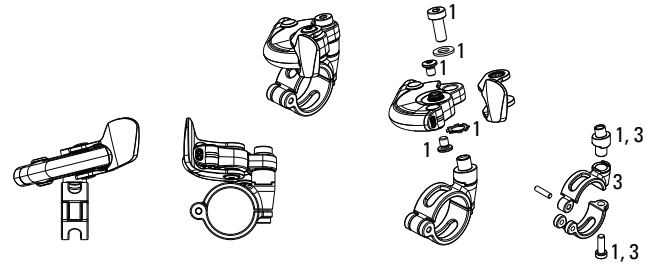
- 1. Rear Maxle requires compatible bicycle frame/drop-out.
- 2. Original (2008-2009) Rear Maxle assembly is no longer available.
- 3. Rear Maxle Lite lever and internals are NOT compatible with original Rear Maxle.

No.	Part Number	Description
1	00.4315.015.010	Rear Maxle Lite Black 135
1	00.4315.015.020	Rear Maxle Lite Black 142
1	00.4315.015.030	Rear Maxle Lite Black 150
1	11.4315.023.000	Rear Maxle Lite, Trek 142mm x 12mm FR
1	11.4315.023.010	Rear Maxle Lite, Bergamon 157mm x 12mm
2	11.4315.010.010	Lever/Wedge Kit, Rear Maxle Lite 135/150mm (axle body)/MaxleLite 15mm (front) - Black Lever 2010-2013
3	11.4311.401.000	Rear Maxle Wedge/Axle/Lever 135mm (08-09)
3	11.4311.537.000	Rear Maxle Wedge/Axle/Lever 150mm (08-09)
	11.4318.004.000	Maxle Lite Lever Assembly B1

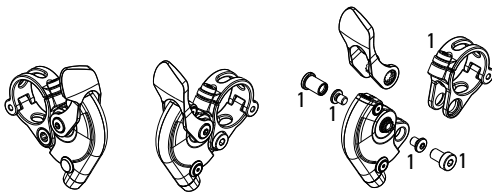
PUSHLOC (2007-2012)
PUSHLOC (2013-2014)



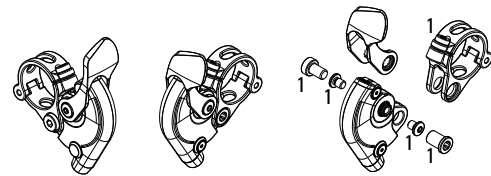
Left Horizontal



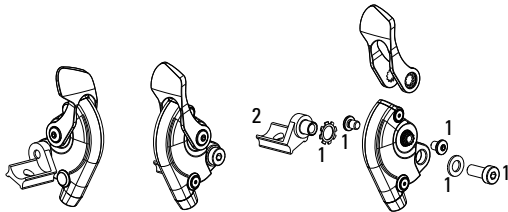
Right Horizontal



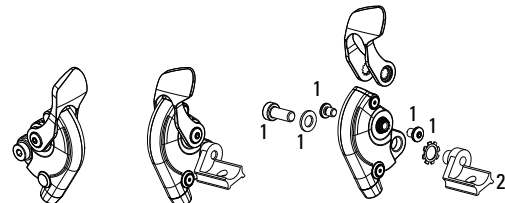
Left Vertical



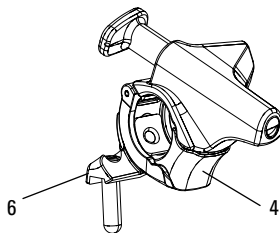
Right Vertical



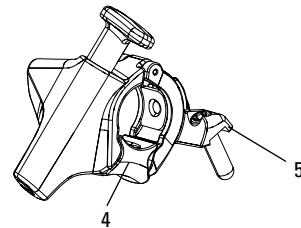
PushLoc MatchMaker, Left Vertical



PushLoc MatchMaker, Right Vertical



2013 PushLoc MatchMaker, Right



2013 PushLoc MatchMaker, Left

Note:

1. 2013 PushLoc is right and left-specific and is compatible only with 2013 Motion Control and Recon Gold TurnKey compression dampers. Cable pull = 10mm.
2. Pre-2013 PushLoc and PopLoc are compatible only with pre-2013 Motion Control compression dampers and is convertible to left and right vertical, and left and right horizontal. Cable pull = 17mm.

No.	Part Number	Description
1	11.4015.217.000	PushLoc Hardware Kit
2	11.4315.007.000	PushLoc / Match Maker / Trigger Adaptor Knuckle (L & R)
3	11.4315.008.000	PushLoc Right Horizontal Clamp & Lever Assy
ns	00.7115.009.010	Suspension Fork Professional Remote Lockout Cable and Housing kit by Gore Ride-On Black (includes housing, cable, 2 ferrules, one end cap, one cap flag)
ns	00.7115.009.020	Suspension Fork Professional Remote Lockout Cable and Housing kit by Gore Ride-On White (includes housing, cable, 2 ferrules, one end cap, one cap flag)
ns	00.4318.002.005	Remote Upgrade Kit - 2013 PushLoc Remote Kit Left MMX (includes: PushLoc Left, MatchMaker knuckle, cable & housing)
ns	00.4318.002.006	Remote Upgrade Kit - 2013 PushLoc Remote Kit Right MMX (includes: PushLoc Right, MatchMaker knuckle, cable & housing)
4	11.6818.001.000	Hydraulic Remote Discrete Puck (Spacer) For XLoc Remotes Qty 2
5	11.4315.016.010	Clamp/Bracket Hardware, XLoc Left, Ti Hardware
6	11.4315.016.020	Clamp/Bracket Hardware, XLoc Right, Ti Hardware
5	11.5315.049.010	MMX/Shifter Mounting Bracket, Left - Elixir CR Mag/X0/XX, Stainless Hardware
6	11.5315.049.020	MMX/Shifter Mounting Bracket, Right - Elixir CR Mag/X0/XX, Stainless Hardware

BULK SPARES/SERVICE KITS

Part Number	Description
BULK - BUSHINGS	
11.4015.301.020	Bushing Lower 32mm, Qty 20 - 2011 SID (32mmx25mm)
11.4015.301.030	Bushing Upper 32mm, Qty 20 - 2011 SID (32mmx15mm)
11.4310.693.000	Reba/Pike/Tora/Recon/Revelation Lwr Bushing Qty 20
11.4310.694.000	Reba/Pike/Tora/Recon/Revelation UpR Bushing Qty 20
11.4015.068.000	Domain/Lyrik Lower Bushing Qty 20
BULK - DUST SEALS & OIL SEALS	
11.4308.658.000	Dust Seal 28mm Grey - Judy/Pilot/SID Qty 20
11.4018.028.007	Dust Seal 30mm Black - XC30/30 Gold Qty 20
11.4310.695.000	Dust Seal 32mm Grey - SID/Revelation/Reba/Argyle/Sektor/Tora/Recon/XC32 QTY 20
11.4310.696.000	Dust Seal 32mm Grey, Use With 11.4311.140.000 Qty 20 - Reba(2005-2008) / Pike(2005-2010) / Boxxer(2006-2009)
11.4311.140.000	Oil Seal 32mm, Use With Dust Seal 11.4310.969.000 Qty 20 - Reba(2005-2008) / Pike(2005-2010) / Boxxer(2006-2009)
11.4018.028.003	Dust Seal 32mm Black - SID/Reba/Revelation Qty 20
11.4015.066.000	Dust Seal 35mm - Domain/Lyrik/Boxxer Qty 20
11.4015.200.000	Oil Seal 35mm - Lyrik/Domain/Boxxer Qty 20
11.4018.028.004	Dust Seal 35mm Black - PIKE Qty 20
11.4015.345.000	Dust Seal 40mm - Totem Qty 20
11.4015.152.000	Oil Seal 40mm - Totem Qty 20
BULK - FOAM RINGS	
11.4308.662.000	Foam Ring 28mmx9mm - SID/Pilot/Judy 2004-2006 Qty 20
11.4018.028.008	Foam Ring 30mm x 5mm - XC30/30 Gold A1 Qty 20
11.4310.698.000	Foam Ring 32mm x 10mm - Revelation/Argyle/Sektor/Tora/Recon/XC32 Qty 20
11.4310.697.000	Foam Ring 32mm x 3.5mm - SID/Reba/Pike 2005-2006 Qty 20
11.4015.496.010	Foam Ring 32mm x 5mm - SID A1-A3 / Reba A2-A3 Qty 20
11.4018.028.005	Foam Ring 35mm x 6mm - PIKE A1 Qty 20
BULK - MISCELLANEOUS	
11.4015.259.000	Crush Washer 8mm, Qty 50
11.4015.260.000	Crush Washer Retainer, Qty 50
11.4015.303.000	Rebound Shaft Bolt/O-Ring, w/ Thread Patch, Qty 20
11.4015.303.010	Rebound Shaft Bolt/C-Clip, w/ Thread Patch, Qty 20
11.4012.195.000	Brake Post Plug, Qty 10
11.4015.284.000	Star Nut 1.125" Qty 20
11.4015.284.010	Star Nut 1.5" Qty 20
11.4015.340.000	08 Boxxer (32mm) Solo Air Top Out Bumper, Qty 10 (32mm)
11.4015.455.000	Cir-Clip, Rebound Knob, 2010 Boxxer Team/WC (35mm), Qty 20
11.4018.032.001	Bottomless Tokens Qty 10 PIKE A1
11.4318.002.030	Hydraulic Hoses/Barbs/Compression Fittings XLoc Monarch XX Full Sprint Connectamajig 2000mm Qty 10 (use with suspension fluid only) B1
BULK - FORK AIR SEALS	
11.4307.208.010	Pilot/SID (28mm) Air Piston O-Ring (Qty 10)
11.4015.339.000	Boxxer/Tora Solo (32mm) Air Outer Air Piston O-Ring, Qty 20
11.4015.339.010	Boxxer/Tora/Recon (32mm) Solo Air Air Piston Face Seal O-Ring, Qty 20
11.4015.339.020	Solo Air/Dual Air - Inner Piston/Shaft O-Ring Seal (All 32mmforks), Qty 20
11.4015.339.030	Solo Air/Dual Air - Outer Air Piston O-Ring Seal (32mm Recon, Reba, Revelation, Pike, SID), Qty 40
11.4015.339.040	Lyrik/Boxxer (35mm) Solo Air Outer Air Piston O-ring Seal, Qty 20
11.4015.339.050	Lyrik/Boxxer (35mm) Solo Air Air Piston Face Seal O-ring Seal, Qty 20
11.4015.339.060	Air U-Turn Air Piston O-Ring Seal (32mm Reba, Revelation, Pike) Qty 40
ROCKSHOX HEADSET SPACERS - CARBON FIBER	
00.4315.021.010	Headset Spacer Set, UD Carbon, RockShox - (5mm x 2, 10mm x 1, 15mm x 1)
00.4315.021.050	Headset Spacer Set, UD Carbon, SRAM - (5mm x 2, 10mm x 1, 15mm x 1)
SERVICE KITS (kits include wear and replacement seals: air o-ring seals, damper o-ring seals, dust wiper seals and dust seal foam rings; no hard parts included)	
00.4315.032.010	AM Fork Service Kit, Basic (includes dust seals, foam rings, o-ring seals) - Recon Silver Coil (2012)
00.4315.032.020	AM Fork Service Kit, Basic (includes dust seals, foam rings, o-ring seals) - Recon Silver Solo Air (2012)
00.4315.032.030	AM Fork Service Kit, Basic (includes dust seals, foam rings, o-ring seals) - Recon Gold Coil (2012)
00.4315.032.040	AM Fork Service Kit, Basic (includes dust seals, foam rings, o-ring seals) - Recon Gold Solo Air (2012)
00.4315.032.050	AM Fork Service Kit, Basic (includes dust seals, foam rings, o-ring seals) - Sektor Turnkey Dual Position Coil (2012)
00.4315.032.060	AM Fork Service Kit, Basic (includes dust seals, foam rings, o-ring seals) - Sektor RL Dual Position Coil (2012-2014)
00.4315.032.070	AM Fork Service Kit, Basic (includes dust seals, foam rings, o-ring seals) - Sektor RL Solo Air (2012-2014)
00.4315.032.080	AM Fork Service Kit, Basic (includes dust seals, foam rings, o-ring seals) - Reba and SID (2012-2013)
00.4315.032.090	AM Fork Service Kit, Basic (includes dust seals, foam rings, o-ring seals) - Lyrik Coil (2012-2014)
00.4315.032.100	AM Fork Service Kit, Basic (includes dust seals, foam rings, o-ring seals) - Lyrik Solo Air (2012-2014)
00.4315.032.110	AM Fork Service Kit, Basic (includes dust seals, foam rings, o-ring seals) - Lyrik Dual Position Air (2012-2014)
00.4315.032.120	AM Fork Service Kit, Basic (includes dust seals, foam rings, o-ring seals) - Totem Coil (2012-2014)
00.4315.032.130	AM Fork Service Kit, Basic (includes dust seals, foam rings, o-ring seals) - Totem Solo Air (2012-2014)
00.4315.032.140	AM Fork Service Kit, Basic (includes dust seals, foam rings, o-ring seals) - Totem Dual Position Air (2012-2014)
00.4315.032.150	AM Fork Service Kit, Basic (includes dust seals, foam rings, o-ring seals) - Boxxer RC (2012-2014)
00.4315.032.160	AM Fork Service Kit, Basic (includes dust seals, foam rings, o-ring seals) - Boxxer R2C2 (2012-2014)
00.4315.032.170	AM Fork Service Kit, Basic (includes dust seals, foam rings, o-ring seals) - Boxxer World Cup (2012-2014)
00.4315.032.180	AM Fork Service Kit, Basic (includes dust seals, foam rings, o-ring seals) - Revelation Dual Air (2012)
00.4315.032.200	AM Fork Service Kit, Basic (includes dust seals, foam rings, o-ring seals) - Argyle Coil (2012-2014)
00.4315.032.210	AM Fork Service Kit, Basic (includes dust seals, foam rings, o-ring seals) - Argyle Solo Air (2012-2014)
00.4315.032.220	AM Rear Shock Service Kit, Basic (includes air can seals only) - Vivid Air (2012-2013)
00.4315.032.230	AM Fork Service Kit, Basic (includes dust seals, foam rings, o-ring seals) - Domain (2012-2014)
00.4315.032.240	AM Rear Shock Air Can Service Kit, Basic - Monarch/Monarch Plus (2012)
00.4315.032.250	AM Rear Shock Air Can High Volume Service Kit, Basic - Monarch/Monarch Plus (2012)
00.4315.032.260	AM Rear Shock Air Can Service Kit, Basic - Ario/(Monarch 2008-2010)
00.4315.032.280	AM Fork Service Kit, Basic (includes dust seals, foam rings, o-ring seals) - Recon Silver (2013-2014)
00.4315.032.290	AM Fork Service Kit, Basic (includes dust seals, foam rings, o-ring seals) - Recon Gold (2013-2014)
00.4315.032.300	AM Fork Service Kit, Basic (includes dust seals, foam rings, o-ring seals) - Sektor Turnkey Solo Air (2013-2014)
00.4315.032.310	AM Fork Service Kit, Basic (includes dust seals, foam rings, o-ring seals) - Sektor Motion Control SoloAir (2013-2014)
00.4315.032.320	AM Fork Service Kit, Basic (includes dust seals, foam rings, o-ring seals) - Revelation Dual Position Air (2012-2013)
00.4315.032.330	AM Rear Shock Air Can Service Kit, Basic - Monarch RT3 (2013)
00.4315.032.340	AM Rear Shock Air Can High Volume Service Kit, Basic - Monarch RT3 (2013)
00.4315.032.370	AM Rear Shock Air Can Service Kit, Basic - Vivid Air B1

UPGRADE KITS / TOOLS / LUBRICANTS

Part Number Description

UPGRADE KITS

Note:

1. Refer to the RockShox Technical Manuals for damper oil volumes.
2. Depending on Motion Control compression damper version, oil volume may vary; short compression damper - use 2010-2013 oil volumes.
3. All remote upgrade kits include remote lever assembly, cable and housing or hydraulic hose (assembly), and compression damper assembly.
4. All PushLoc remote upgrade kits include 2013 compression damper and 2013 remote lever with 10mm cable pull.
5. All PopLoc remote upgrade kits include compression damper and remote lever with 17mm cable pull.

00.4318.002.000	Remote Upgrade Kit - Recon Silver - TurnKey - Includes Remote Compression Damper and PopLoc Remote Right
00.4318.002.001	Remote Upgrade Kit - 2013 Recon Gold/Sektor RL - Motion Control - Includes Remote Compression Damper and PushLoc Remote Right MMX
00.4318.002.002	Remote Upgrade Kit - 2012-2013 Revelation RLT - MotionControl DNA - Includes Remote Compression Damper and PushLoc Remote Right MMX
00.4318.002.003	Remote Upgrade Kit - 2012-2013 SIDB RLT (120) - MotionControl DNA - Includes Remote Compression Damper and PushLoc Remote Right MMX
00.4318.002.004	Remote Upgrade Kit - 2012-2013 Reba RLT - MotionControl - Includes Remote Compression Damper and PushLoc Remote Right MMX
00.4318.002.005	Remote Upgrade Kit - 2013 PushLoc Remote Kit Left MMX (includes: PushLoc Left, MatchMaker knuckle, cable & housing)
00.4318.002.006	Remote Upgrade Kit - 2013 PushLoc Remote Kit Right MMX (includes: PushLoc Right, MatchMaker knuckle, cable & housing)
00.4318.004.001	Remote Upgrade Kit, Xloc Full Sprint, SIDB, Left, MMX, Black (includes Motion Control X DNA comp damper, rear shock hydraulic hose, bleed syringes)
00.4318.004.002	Remote Upgrade Kit, Xloc Full Sprint, SIDB, Right, MMX, Black (includes Motion Control X DNA comp damper, rear shock hydraulic hose, bleed syringes)
00.4318.004.003	Remote Upgrade Kit, Xloc Full Sprint, Revelation, Left, MMX, Black (includes Motion Control X DNA comp damper, rear shock hydraulic hose, bleed syringes)
00.4318.004.004	Remote Upgrade Kit, Xloc Full Sprint, Revelation, Right, MMX, Black (includes Motion Control X DNA comp damper, rear shock hydraulic hose, bleed syringes)
00.4318.004.005	Remote Upgrade Kit, XLoc Sprint, SIDB, Left, MMX, Black (includes Motion Control X DNA comp damper, bleed syringes)
00.4318.004.006	Remote Upgrade Kit, XLoc Sprint, SIDB, Right, MMX, Black (includes Motion Control X DNA comp damper, bleed syringes)
00.4318.004.007	Remote Upgrade Kit, XLoc Sprint, Revelation, Left, MMX, Black (includes Motion Control X DNA comp damper, bleed syringes)
00.4318.004.008	Remote Upgrade Kit, XLoc Sprint, Revelation, Right, MMX, Black (includes Motion Control X DNA comp damper, bleed syringes)

SEAL TOOLS

11.4310.444.000	Dust Seal Install Tool (28mm/30mm)
11.4308.722.000	Dust/Oil Seal Install Tool (32mm)
11.4015.206.000	Dust/Oil Seal Installation Tool (35mm)
11.4015.207.000	Dust/Oil Seal Installation Tool (40mm)

MISCELLANEOUS TOOLS

00.4315.023.010	High-Pressure Fork/Shock Pump (300 psi Max) RockShox
00.4315.023.030	High-Pressure Fork/Shock Pump (600 psi Max) RockShox
00.4315.023.020	Air Pump (high pressure/high volume convertible) RockShox Boxxer
00.4315.022.010	Schrader Valve Removal Tool Rockshox
00.4315.024.010	Wrench 24mm Mission Control Comp Damper RockShox
00.4315.025.010	Star Nut Setter Tool 1.5" RockShox
00.4315.025.020	Star Nut Setter Tool 1 1/8" RockShox

REVERB TOOLS

00.6815.064.010	Reverb Hydraulic Bleed Kit (includes 2 syringes, Reverb fittings, Reverb Hydraulic Fluid, 120ml Bottle new)
00.6815.066.010	Oil Height Tool - Reverb
00.6815.066.020	Post Bleed Tool - Reverb
00.6815.066.030	Barb Connector - Reverb Stealth
00.6815.066.040	IFP Height Tool - Reverb

REAR SHOCK TOOLS

00.4315.026.010	1/2"x1/2" Rear Shock Bushing Tool (Eyelet/SealHead) RockShox
11.4309.151.000	Rear Shock Eyelet Bushing Removal/Install Tool 12mm (removes and installs eyelet bushings and mounting hardware)
00.4315.027.010	Air Valve Adapter Tool - RockShox Monarch
00.4315.029.010	Wrench, Air Can - RockShox Vivid Air
00.4315.028.010	Spanner Wrench/Air Valve/Torx Tool - RockShox Vivid/Vivid Air
00.4115.154.010	Rear Shock Vise blocks, RockShox Monarch/Vivid/Vivid Air
00.4115.185.000	Rear Shock Body Vise blocks, RockShox Kage/Vivid
00.4118.013.000	Rear Shock Body Vise blocks, RockShox Monarch

LUBRICANTS

11.4015.354.000	RockShox Suspension Oil, 2.5wt, 1 Liter Bottle new
11.4015.354.010	RockShox Suspension Oil, 5wt, 1 Liter Bottle new
11.4015.354.020	RockShox Suspension Oil, 10wt, 1 Liter Bottle new
11.4015.354.030	RockShox Suspension Oil, 15wt, 1 Liter Bottle new
11.4015.354.040	RockShox Reverb Hydraulic Fluid, 1 Liter Bottle
11.4015.354.050	RockShox Pike Suspension Oil, 0-W30, 1 Liter Bottle
11.4315.004.020	RockShox Rear Suspension Damping Fluid 3wt 16oz bottle
11.4315.004.030	RockShox Rear Suspension Damping Fluid 7wt 16oz bottle
11.4315.021.010	RockShox Suspension Oil, 2.5wt, 120ml Bottle new
11.4315.021.020	RockShox Suspension Oil, 5wt, 120ml Bottle new
11.4315.021.030	RockShox Suspension Oil, 10wt, 120ml Bottle new
11.4315.021.040	RockShox Suspension Oil, 15wt, 120ml Bottle new
11.4315.021.050	RockShox Rear Suspension Damping Fluid 3wt 120ml bottle
11.4315.021.060	RockShox Rear Suspension Damping Fluid 7wt 120ml bottle
11.4315.021.070	RockShox Reverb Hydraulic Fluid, 120ml Bottle new
11.4315.021.080	RockShox Pike Suspension Oil, 0-W30, 120ml Bottle
11.4115.094.010	Lubricant, Rear Shock Air Can, Maxima 15W 50, 1 Liter Bottle
11.4115.094.020	Lubricant, Rear Shock Seals, Parker O-Lube, 2g tube
00.4315.014.010	Grease, PM600 Military Grease 14oz (for oring seals)

NOTES

COPYRIGHT

This publication includes trademarks and registered trademarks of SRAM LLC designated by the symbols ™ and ®, respectively.

Copyright © 2013 SRAM LLC

www.sram.com

world headquarters
SRAM LLC

1333 n. kingsbury st., 4th fl
chicago, il 60642
phone +1-312-664-8800
fax +1-312-664-8826

european headquarters
SRAM europe

paasbosweg 14-16
3862ZS nijkerk
the netherlands
phone +31-33-450-6060
fax +31-33-457-0200

asian headquarters
SRAM taiwan

no. 1598-8 chung shan rd
shen kang hsiang, taichung
county road 49 taiwan r.o.c.
phone +886-4-2564-3678
fax +886-4-2561-3686